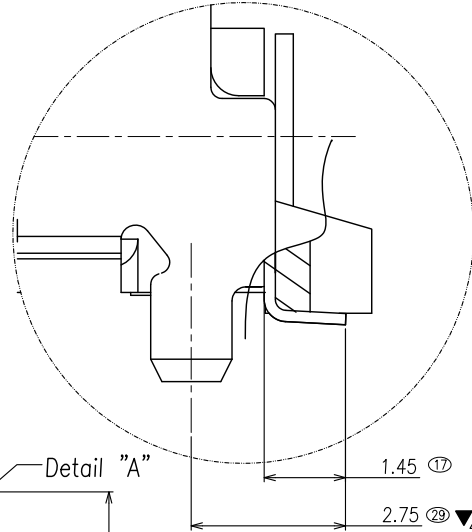
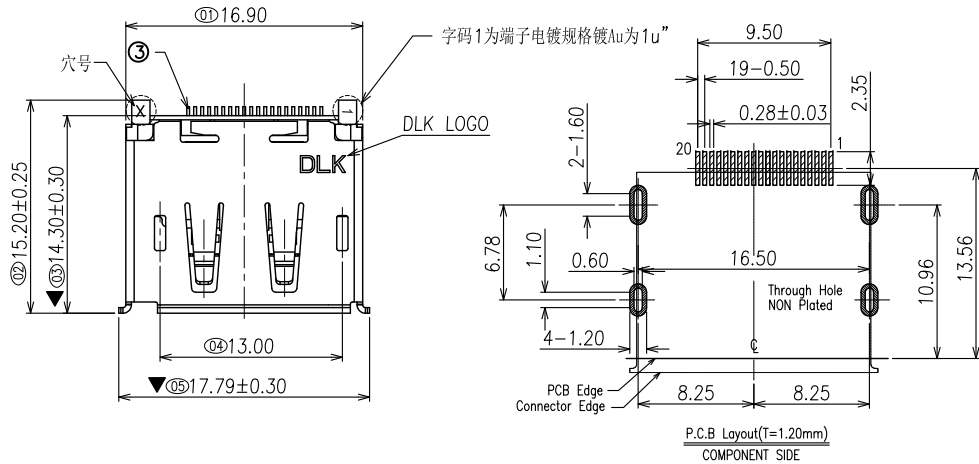


符合"DLK环境管理物质技术标准"

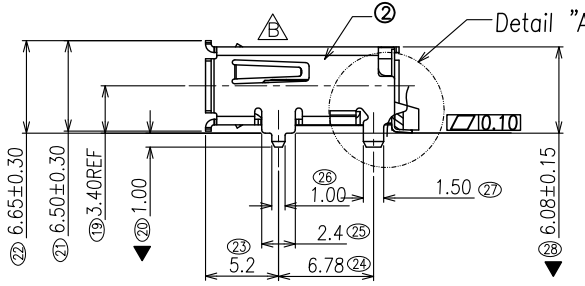
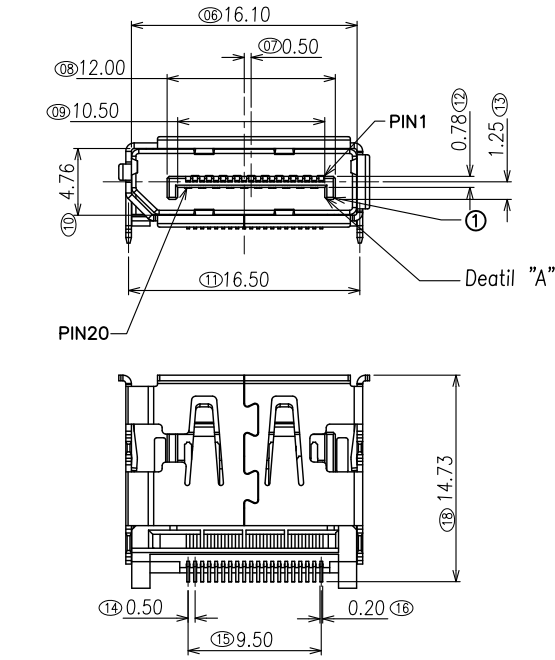
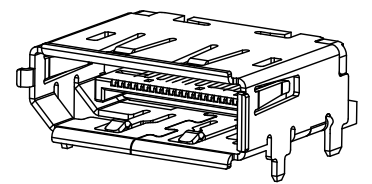
符合VESA协会规范标准"

工程变更通知单 ECN(DCN) NO.	版本 REV	日期 DATE	说明 DESCRIPTION	变更 CHANGE	核准 APPRO.
KSECN17047	A	20170828	NEW RELEASE	—	—
KSECN17055	B	20171030	1. 增加29号尺寸 2. 依实物取消两侧弹片头部折弯	—	王永辉 严成旺
KSECN19045	C	20200108	1. 半成品料号由H-DPT22-20BG0M1改为H-DPT22-20BG0M1A 2. 端子料号由D-DPT22-M1C120改为D-DPT22-M1C10A	—	王永辉 严成旺



- DPT24 A-20 B M1 R N1 5  
① ② ③ ④ ⑤ ⑥ ⑦
- ① PRODUCTION CODE (产品编码):  
DPT24: DisplayPort
  - ② CHARACTER (特征):  
A: R/A SMT TYPE
  - ③ POSITION (位数):  
20:20PIN
  - ④ COLOR OF HOUSING(本体颜色):  
B:BLACK COLOR
  - ⑤ PLATING OF CONTACT(端子电镀):  
M1 :Au 1u" min AND MATTE TIN 100u"Min
  - ⑥ PACKAGE(包装):  
R :TAPE&REEL PACKAGE
  - ⑦ PLATING OF SHELL(铁壳电镀):  
N1:NI PLATD

Detail "A"  
SCALE 4:1



GENERAL TOLERANCE UNLESS OTHERWISE NOTED	
Angle	±1°
X.	±0.25
.X	±0.15
.XX	±0.10
.XXX	±0.05

 **德力康电子科技有限公司**  
DLK DELIKANG ELECTRONICS TECHNOLOGY CO.,LTD

<b>A</b> 名称 TITLE:	DisplayPort SMT Type 6.08H DIP脚长1.0			
档案名称 FILE NAME:	A-DPT24-00-05	料号 PART NO.:	DPT24A-20BM1RN15	
DRAWING	王永辉	CHECKED	—	APPROVED 严成旺
UNIT:	mm	SCALE	1:1	SHEET: 1 of 1

NO.	ITEM	Q'TY	DESCRIPTION	FINISH	PART NO	DWG NO
3	CONTACT	20	C2680	Au PLATED	D-DPT22-M1C10A	D-DPT22-00-0A
2	SHELL	1	C2680	Ni PLATED	S-DPT22-N1C106	S-DPT22-00-06
1	HOUSING	1	LCP	UL94V-0	H-DPT22-20BG0M1A	H-DPT22-00-0A