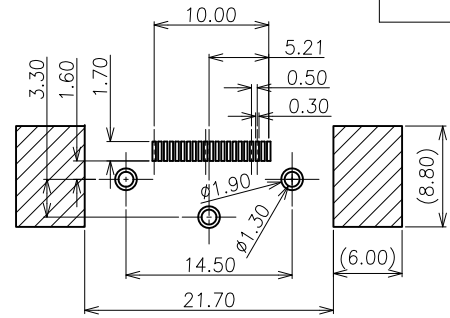
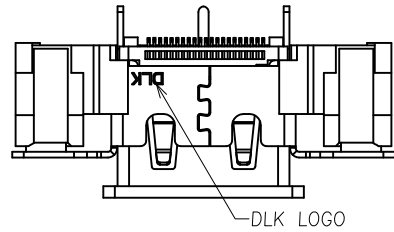


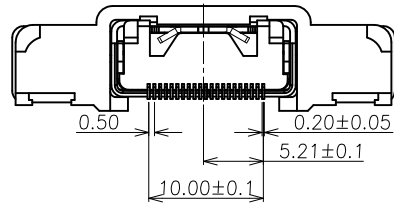
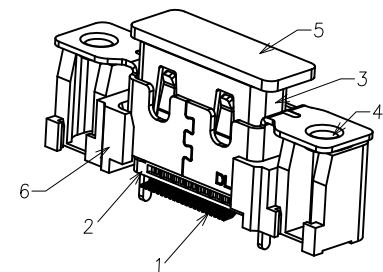
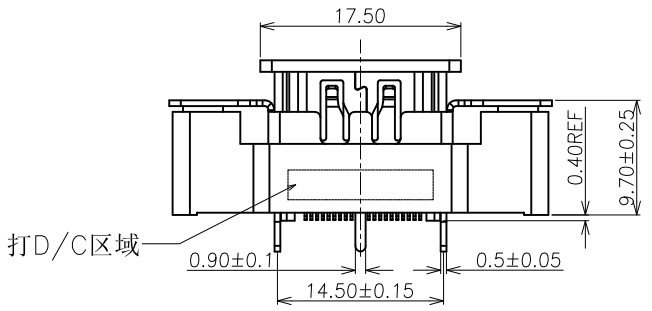
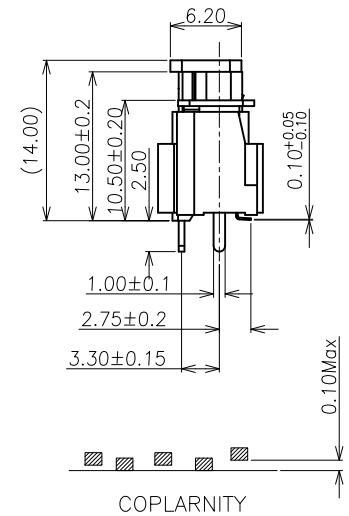
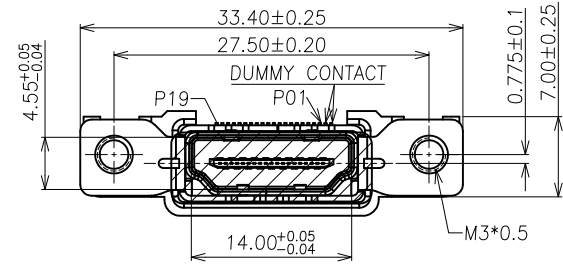
符合"DLK环境管理物质技术标准",符合HDMI协会规范要求

工程变更通知单 ECN(DCN) NO.	版本 REV	日期 DATE	说明 DESCRIPTION	改变 CHANGE	承认 APPRO.
KSECN15059	A	20151229	NEW	—	—



HDM4P B-21 B M4 R N1 3
① ② ③ ④ ⑤ ⑥ ⑦

- ① PRODUCTION CODE (产品编码):
HDM4P: HDMI SERIES
- ② CHARACTER (特征):
B:STRAIGHT ANGLE TYPE
- ③ POSITION (位数):
21:21PIN
- ④ COLOR OF HOUSING(本体颜色):
B:BLACK COLOR
- ⑤ PLATING OF CONTACT(端子电镀):
M4 :Au 15u" min AND TIN PLATED 100u"min
- ⑥ PACKAGE(包装):
R :TAPE&REEL PACKAGE
- ⑦ PLATING OF SHELL(铁壳电镀):
N1:NI PLATD



NO.	ITEM	Q'TY	DESCRIPTION	FINISH
6	BRACKET	1	LCP	UL94V-0, BLACK
5	STOPPLE	1	LCP	UL94V-0, BLACK
4	ROUND SHELL	1	SPCC	PLATED NI
3	SHELL	1	COPPER ALLOY	PLATED NI
2	HOUSING	1	LCP	UL94V-0, BLACK
1	LONG CONTACT	21	COPPER ALLOY	PLATED Au

GENERAL TOLERANCE UNLESS OTHERWISE NOTED	
Angle	±1°
X.	±0.38
.X	±0.30
.XX	±0.25
.XXX	±0.10

德力康电子科技有限公司
DELIKANG ELECTRONICS TECHNOLOGY CO.,LTD

C 名称 TITLE:	HDMI 21PIN REC. CONN.	料号 PART NO:	HDM4PB-21BM4RN13	
	档案名称 FILE NAME:	C-HDM4P-00-03	PART NO: (OLD)	—
DRAWING	陈浩泽	CHECKED	王永辉	APPROVED 严成旺
UNIT:	mm	SCALE	1:1	SHEET: 1 of 1