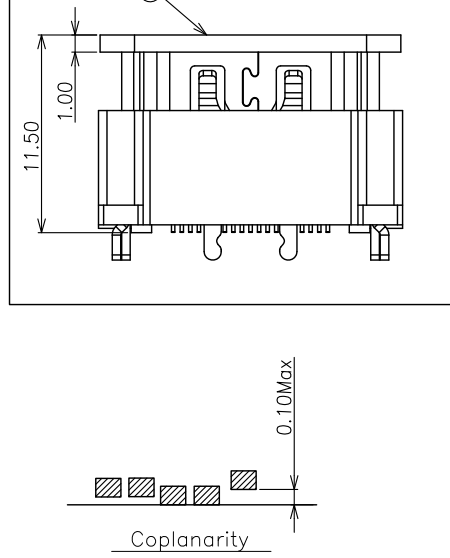
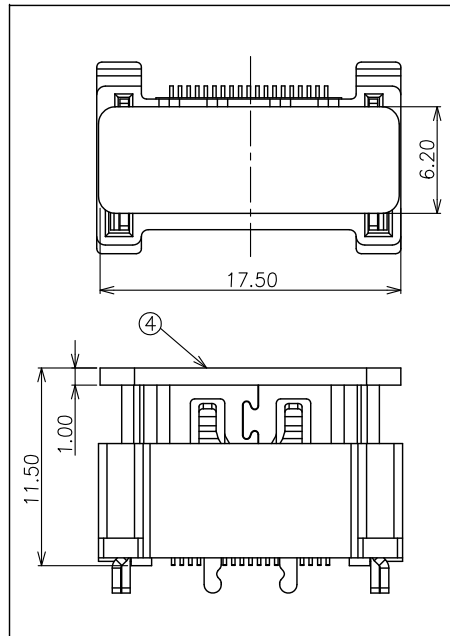
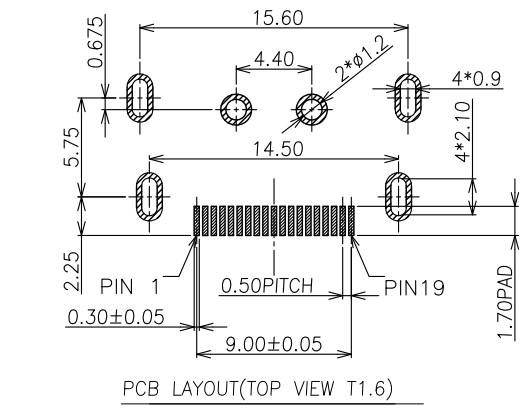
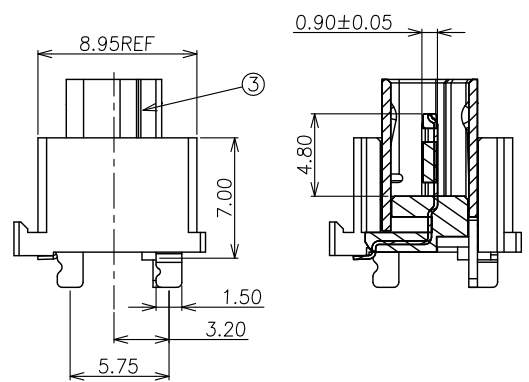
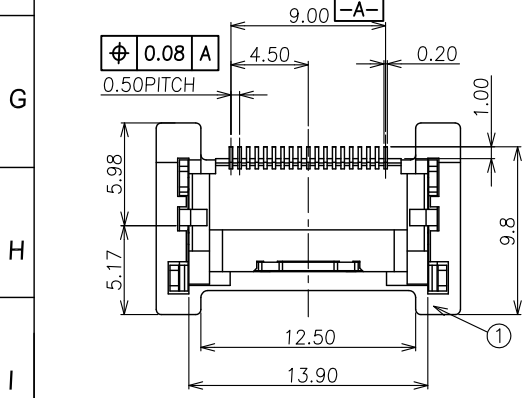
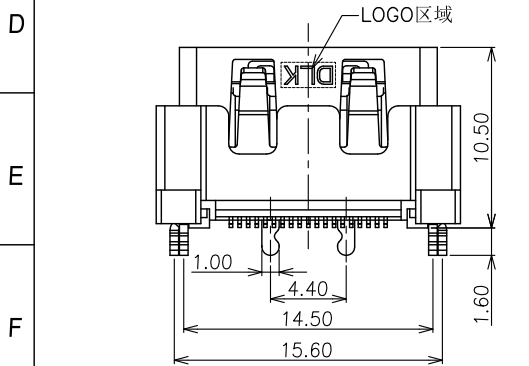
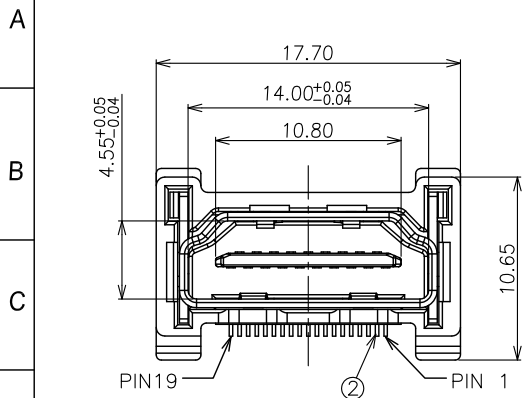


符合"DLK环境管理物质技术标准"

工程变更通知单 ECN (DCN) NO.	版本 REV	日期 DATE	说明 DESCRIPTION	改变 CHANGE	承认 APPRO.
KSECN16030	A	20160512	NEW	—	—



1: MATERIAL:
 HOUSING AND STOPPLE: THERMOPLASTIC
 UL94V-0 BLACK
 CONTACT: COPPER ALLOY, T=0.2mm
 SHELL: COPPER ALLOY, T=0.5mm
 2: MECHANICAL CHARACTERISTICS:
 INSERTION FORCE: 44.1N MAX
 EXTRACTIO FORCE: 9.8-39.2N
 DURABILITY: 10000 CYCLES
 TERMINAL RETENTION: 0.3Kgf MIN
 OPERATING TEMPERATURE: -20°C--+85°C
 STORAGE TEMPERATURE: -20°C--+65°C
 3: ELECTRICAL CHARACTERISTICS:
 RATING CURRENT: 0.5A
 RATING VOLTAGE: 40V
 CONTACT RESISTANCE: 10mΩ MAX
 INSULATION RESISTANCE:
 100MΩ MIN AT 500VAC
 DIELECTRIC WITHSTANDING VOLTAGE:
 500VAC/1MINUTE

HDM2L B-19 B G2 R N3 G
 ① ② ③ ④ ⑤ ⑥ ⑦

- ① PRODUCTION CODE:
HDM2L: HDM SERIES
- ② CHARACTER:
B: STRAIGHT ANGLE TYPE
- ③ POSITION:
19: 19PIN
- ④ COLOR OF HOUSING:
B: BLACK COLOR
- ⑤ PLATING OF CONTACT:
G2: 接触区域单面刷Au 1u", 焊接区域双面刷Au 2u"
- ⑥ PACKAGE (包装):
R: TAPE & REEL PACKAGE
- ⑦ PLATING OF SHELL:
N3: NI PLATD

NO.	ITEM	Q'TY	DESCRIPTION	FINISH
4	STOPPLE	1	LCP	UL94V-0, BLACK
3	SHELL	1	SPCC	PLATED Ni
2	CONTACT	19	COPPER ALLOY	PLATED Au
1	HOUSING	1	LCP	UL94V-0, BLACK

GENERAL TOLERANCE UNLESS OTHERWISE NOTED	
Angle	±1°
X.	±0.30
.X	±0.25
.XX	±0.15
.XXX	±0.10

DLK 德力康电子科技有限公司
 DELIKANG ELECTRONICS TECHNOLOGY CO.,LTD

C 名称 TITLE: HDMI A/F V/T 10.5H 19PIN CONN.
 档案名称 FILE NAME: C-HDM2L-00-3G 料号 PART NO.: HDM2LB-19BC2RN3G

DRAWING 王永辉 CHECKED APPROVED 严成旺

UNIT: mm SCALE 1:1 SHEET: 1 of 1