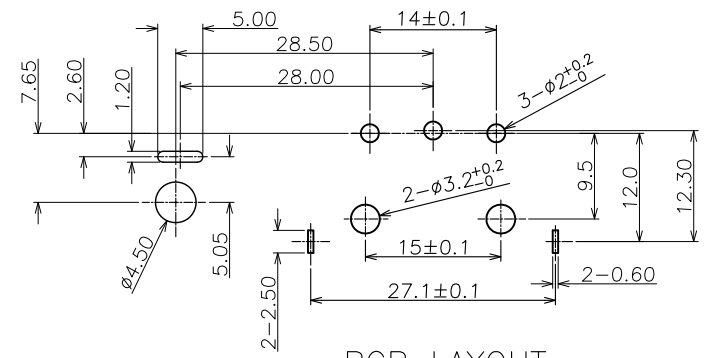
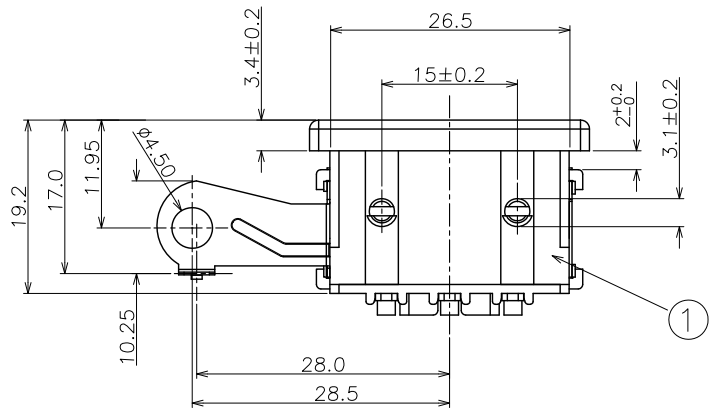
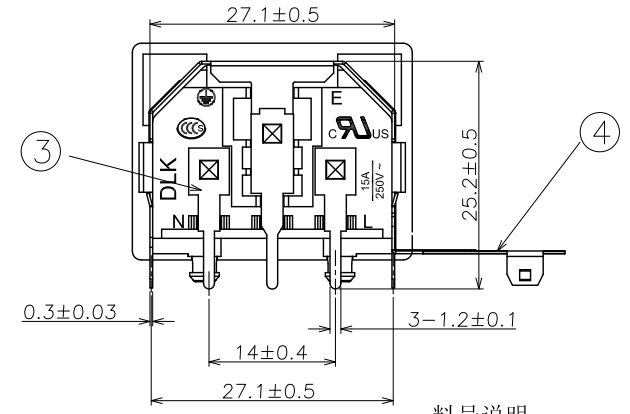
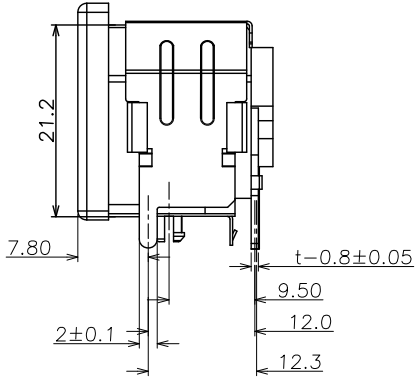
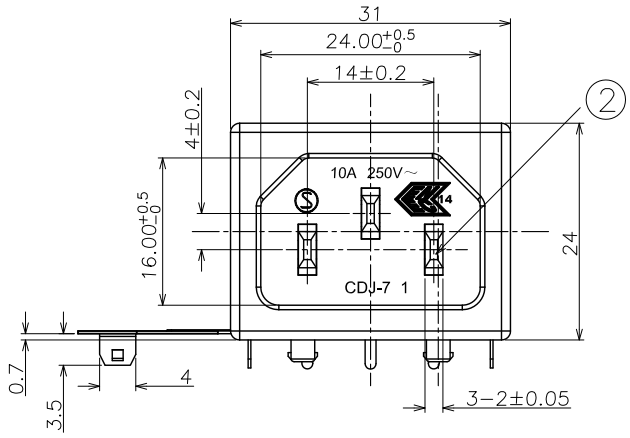


符合"DLK环境管理物质技术标准"

工程变更通知单 ECN(DCN) NO.	版本 REV	日期 DATE	说明 DESCRIPTION	改变 CHANGE	承认 APPRO.
KSECN19049	A	20190917	NEW	—	—



PCB LAYOUT

料号说明:

ACT7K D-03 B T3 Y 000
① ② ③ ④ ⑤ ⑥

- ① PRODUCTION CODE (产品编码):
ACT7K: AC SOCKET SERIES
- ② CHARACTER (特征):
D: STRAIGHT ANGLE TYPE
- ③ POSITION (位数):
03: 3 PIN
- ④ COLOR OF HOUSING(本体颜色):
B: BLACK COLOR
- ⑤ PLATING OF CONTACT(端子电镀):
T3: Tin PLATD
- ⑥ PACKAGE(包装):
Y :TRAY PACKAGE

德力康电子科技有限公司
DLK DELIKANG ELECTRONICS TECHNOLOGY CO.,LTD

GENERAL TOLERANCE
UNLESS OTHERWISE NOTED

Angle	±5'
X.	±0.50
.X	±0.38
.XX	±0.25
.XXX	±0.15

4	Soldering Pin	1	Tinplate	Tin
3	Soldering Pin	3	Brass	Tin
2	Contact Pin	3	Brass	Nickel
1	INSULATOR	1	PA66 UL94V-0	Black
NO.	ITEM	Q'TY	DESCRIPTION	FINISH

C 名称 TITLE:	AC 3PIN 90D 垫高2mm带左尾巴 (CDJ-7 1)			
档案名称 FILE NAME:	C-ACT7K-00-00	料号 PART NO.:	ACT7KD-03BT3Y000	
DRAWING	王永辉	CHECKED	~	APPROVED 严成旺
UNIT:	mm	SCALE	1:1	SHEET: 1 of 1