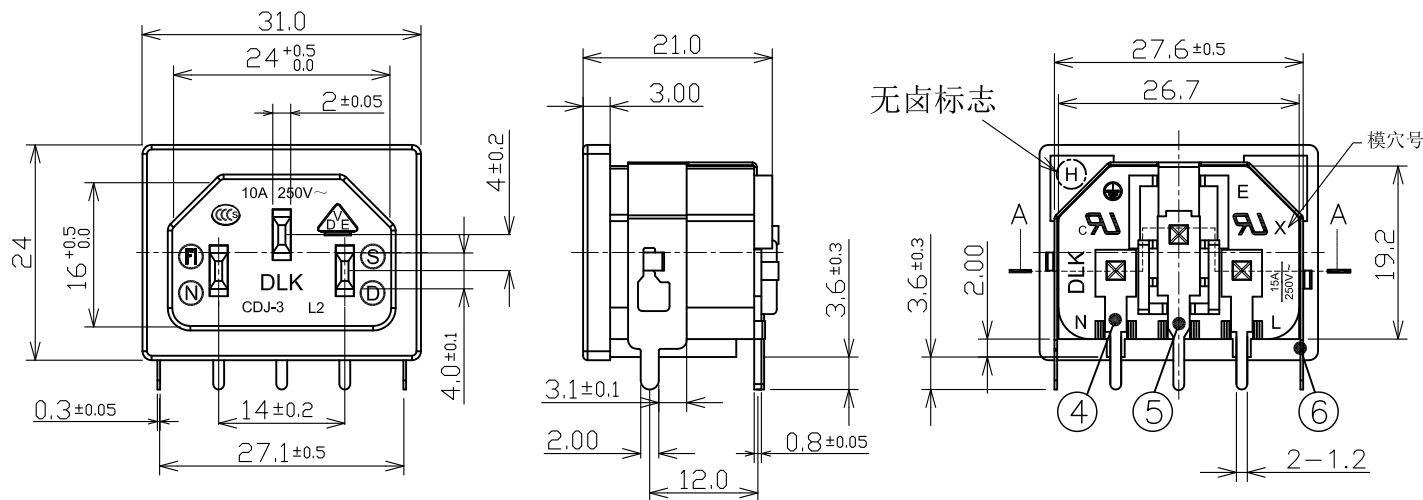


符合"DLK环境管理物质技术标准"

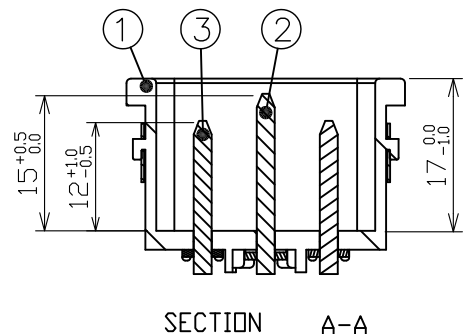
| | | | | | |
|-------------------------|-----------|------------|-------------------|--------------|-------------|
| 工程变更通知单 ECN(DCN) NO. | 版本 REV | 日期 DATE | 说明 DESCRIPTION | 改变 CHANGE | 承认 APPRO |
| — | X0 | 20170322 | NEW | — | — |
| | | | | | |



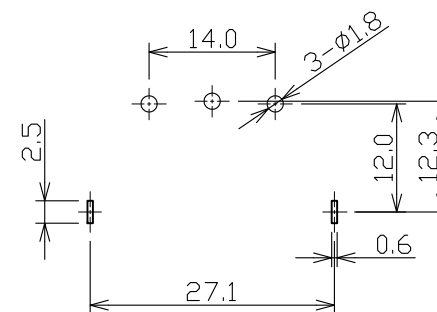
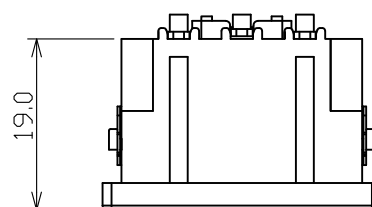
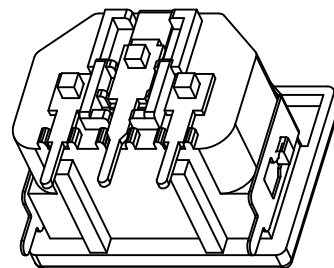
料号说明:

ACT3L D-03 B T4 B 0 20 HF
① ② ③ ④ ⑤ ⑥

- ① PRODUCTION CODE (产品编码):
ACT3L: AC SOCKET SERIES
- ② CHARACTER (特征):
D: STRAIGHT ANGLE TYPE
- ③ POSITION (位数):
03: 3 PIN
- ④ COLOR OF HOUSING(本体颜色):
B: BLACK COLOR
- ⑤ PLATING OF CONTACT(端子电镀):
T4: Tin PLATD
- ⑥ PACKAGE (包装):
B : BOX PACKAGE



INSULATION RESISTANCE: 100MΩ MIN.
CONTACT RESISTANCE : ≤30mΩ
INSERTION FORCE : ≤60N
EXTRACTION FORCE : 10~50N



PCB LAYOUT

产品净重: 10.2g

| | | | | |
|-----|---------------|------|---------------------|--------|
| 6 | Soldering Pin | 1 | Tinplate | TIN |
| 5 | Soldering Pin | 1 | Brass | TIN |
| 4 | Soldering Pin | 2 | Brass | TIN |
| 3 | Contact Pin | 2 | Brass | NICKEL |
| 2 | Contact Pin | 1 | Brass | NICKEL |
| 1 | INSULATOR | 1 | PA66+30%GF UL 94V-0 | BLACK |
| NO. | ITEM | Q'TY | DESCRIPTION | FINISH |

GENERAL TOLERANCE
UNLESS OTHERWISE NOTED

| | |
|-------|-------|
| Angle | ±5° |
| X. | ±0.30 |
| .X | ±0.25 |
| .XX | ±0.15 |
| .XXX | ±0.10 |



德力康电子科技有限公司
DELIKANG ELECTRONICS TECHNOLOGY CO.,LTD

| | | | |
|--------------------|-----------------|-----------------|--------------------|
| C 名称 TITLE: | CDJ-3 | 料号 PART NO.: | ACT3LD-03BT4B020HF |
| 档案名称 FILE NAME. | C-ACT3L-00-20HF | 品名 PART NO.: | CDJ-3 L2 HF |
| DRAWING | 陈浩洋 | CHECKED | — |
| UNIT: | mm | SCALE | 1:1 |
| | | | APPROVED 严成旺 |
| | | | SHEET: 1 of 1 |