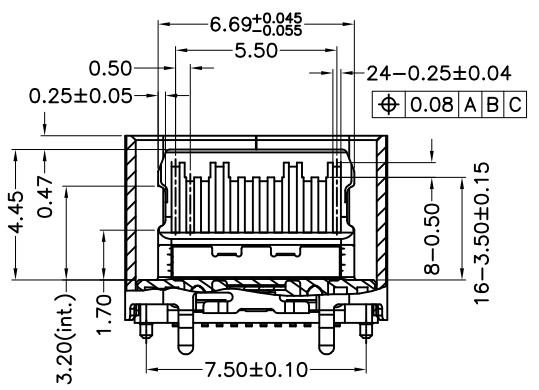
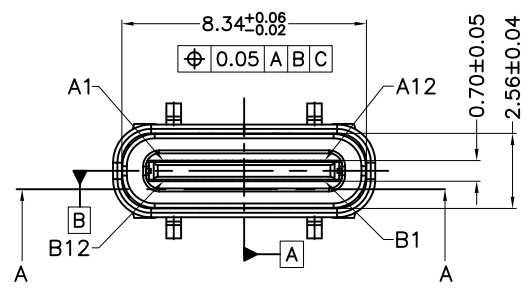
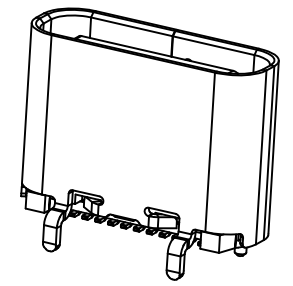
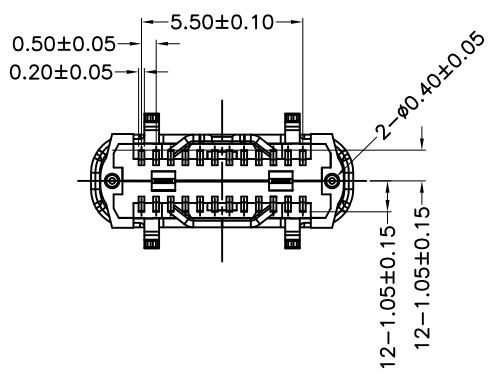
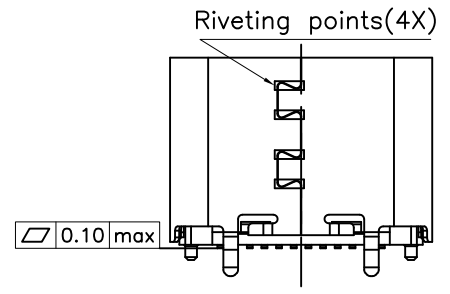
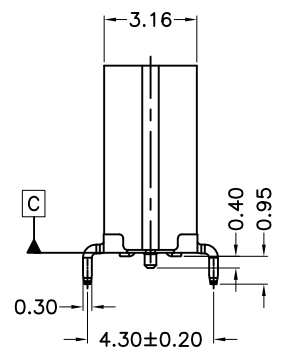
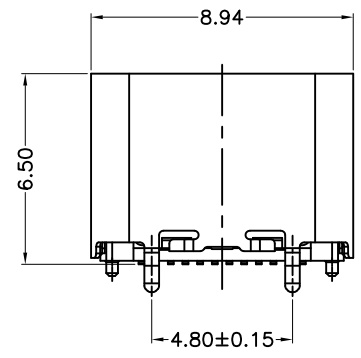


THE PART MEETS TECONN "GPO01" COMPLIANCE NEW REV.



SECTION A-A
SCALE 1:1



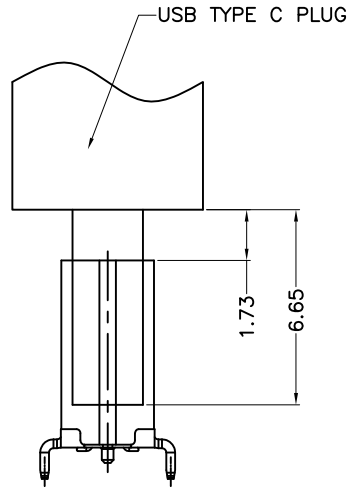
- A4Q2405-A-XX-R
Mating Area plating
- 01: Au 1u"Min.
 - 03: Au 3u"Min.
 - 05: Au 5u"Min.
 - 10: Au 10u"Min.
 - 15: Au 15u"Min.
 - 30: Au 30u"Min.

- NOTE:
- 1.MATERIAL SPECIFICATION:
 - 1-1.HOUSING:HIGH TEMPERATURE RESISTANT PLASTIC(LCP), UL94 V-0. COLOR:BLACK.
 - 1-2.CONTACTS:COPPER ALLOY(C18150)T=0.12mm
 - 1-3.MID PLATE: STAINLESS STEEL(SUS301)T=0.15mm
 - 1-4.EMI PLATE: STAINLESS STEEL(SUS301)T=0.10mm
 - 1-5.SHELL: STAINLESS STEEL(SUS304)T=0.30mm
 - 2.PLATING SPECIFICATION:
 - 2-1.CONTACTS:
 - Ni 50u" MIN. UNDER PLATED OVER ALL.
 - Au PLATED ON THE MATING AREA OF CONTACT.
 - (GOLD PLATING THICKNESS FOLLOW THE P/N)
 - 2-2.SHELL:
 - Ni 30u" MIN. UNDER PLATED OVER ALL.
 - 2-3.MID PLATE:
 - CLEAR ONLY
 - 2-4.EMI PLATE:
 - CLEAR ONLY
 - 3.MECHANICAL PERFORMANCE,
 - 3-1.INSERTION FORCE: 0.5~2.0kgf.
 - 3-2.EXTRACTION FORCE: 0.8kgf~2.0kgf.
 - 0.6kgf~2.0kgf. AFTER DURABILITY TEST.
 - 3-3.DURABILITY: 10000 CYCLES.
 - 4.ELECTRICAL PERFORMANCE,
 - 4-1. CURRENT RATING:5.0A
VOLTAGE RATING:5.0V
 - 4-2. LLCR:
 - VBUS & GND PINS AND OTHER PINS: 40mΩ/PIN MAX.
 - SHIELD: 50mΩ/MAX.
 - LLCR MAX. CHANGE OF ALL PINS: 10mΩ.
 - 4-3.INSULATION RESISTANCE: 100MΩ MIN
 - 4-4.DIELECTRIC WITHSTAND VOLTAGE,AC 100V FOR 1 MINUTE.
 5. ENVIRONMENTAL PERFORMANCE:
 - OPERATING TEMPERATURE: -25°C~+85°C.
 - 6.IR REFLOW:
 - THE PEAK TEMPERATURE ON THE BOARD SHALL BE MAINTAINED FOR 10 SECONDS AT 260°C.
 7. ROHS and HF COMPLIANT.

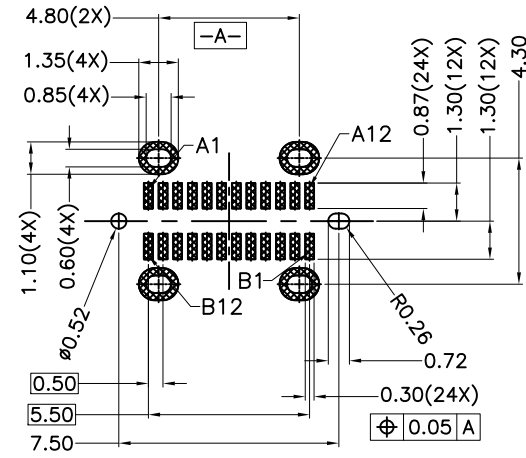
Item	Title	Material	Dispose	Remark
1	Shell	Stainless Steel	Ni:30u" Min.	/
2	EMI Plate	Stainless Steel	Clear Only	/
3	Mid Plate	Stainless Steel	Clear Only	/
4	Top Contact	Copper Alloy	Mating Area: See P/N Solder Tails: GF	/
5	Bottom Contact	Copper Alloy		
6	Insulator	High Temperature Plastic	UL 94V-0	Black

REV	ECN NO	DESCRIPTION	DESIGN	DATE
X3	TE2020-XXXX	Change from C1814 to 18150	Mike	2020/03/11
X2	TE2020-XXXX	Change from Matt Tin to GF	Mike	2020/02/25
X1	TE2019-XXXX	New Drawing	Mike	2019/11/27

X. ± 0.35	APPD: Lebon Lee	TITLE: USB TYPE C FEMALE, VERTICAL TYPE SHELL H6.50mm	
.X ± 0.25	CHKD: /		
.XX ± 0.15	DR: Mike	PART NO: A4Q2405-A-XX-R	SHEET: 1 OF 2 REV: X3
.XXX±	UNITS: mm	DWG NO: C-A4Q2405-A-XX-R	
X* ± 2°	SCALE: 4:1	CUSTOMER DRAWING	
.X* ± 1.5°			

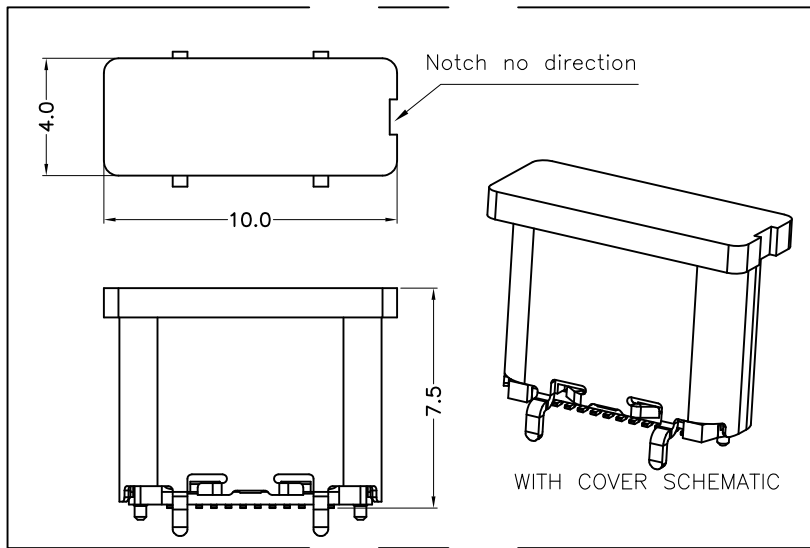


FEMALE AND MALE MATCHING DRAWING



USB TYPE-C PIN ASSIGNMENTS

PIN NUMBER	SIGNAL NAME	PIN NUMBER	SIGNAL NAME
A1	GND	B12	GND
A2	SSTXp1	B11	SSRXp1
A3	SSTXn1	B10	SSRXn1
A4	Vbus	B9	Vbus
A5	CC1	B8	SBU2
A6	Dp1	B7	Dn2
A7	Dn1	B6	Dp2
A8	SBU1	B5	CC2
A9	Vbus	B4	Vbus
A10	SSRXn2	B3	SSTXn2
A11	SSRXp2	B2	SSTXp2
A12	GND	B1	GND



X3	TE2020-XXXX	Change from C1814 to 18150	Mike	2020/03/11
X2	TE2020-XXXX	Change from Matt Tin to GF	Mike	2020/02/25
X1	TE2019-XXXX	New Drawing	Mike	2019/11/27
REV	ECN NO	DESCRIPTION	DESIGN	DATE

X. ± 0.35	APPD: Lebon Lee	TITLE: USB TYPE C FEMALE, VERTICAL TYPE SHELL H6.50mm	
.X ± 0.25	CHKD: /		
.XX ± 0.15	DR: Mike	PART NO: A4Q2405-A-XX-R	DWG NO: C-A4Q2405-A-XX-R CUSTOMER DRAWING SHEET: 20F2 REV: X3
.XXX±		UNITS: mm	
X* ± 2"			
.X* ± 1.5"			