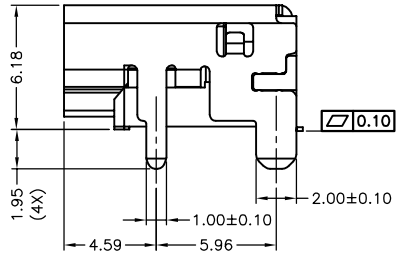
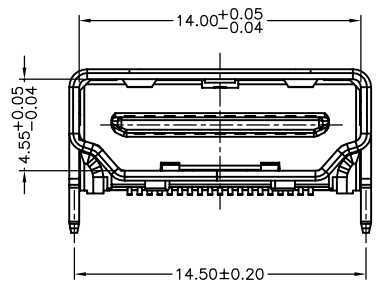
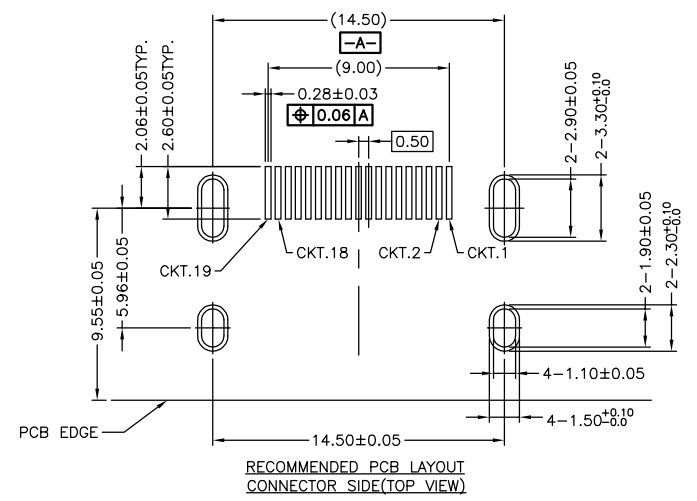
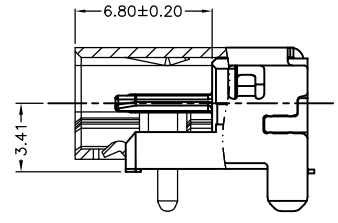
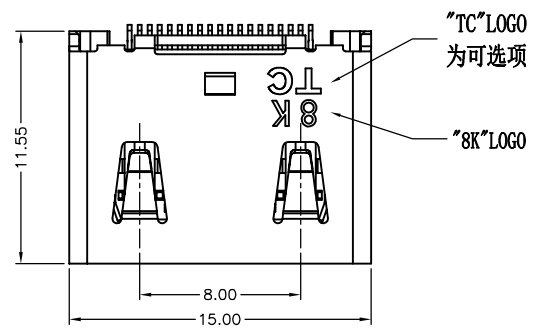
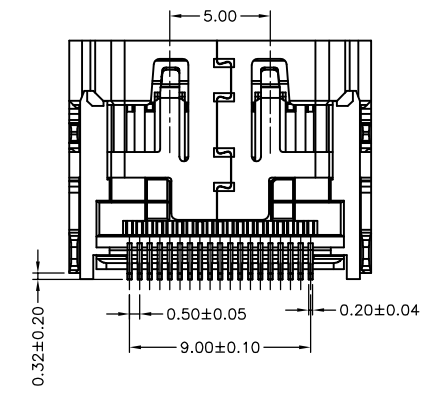


THE PART MEETS TECONN "GPO01" COMPLIANCE NEW REV.



NOTES:  
 1. MATERIAL AND FINISH SEE THE TABLE.  
 2. MECHANICAL CHARACTERISTICS  
 INSERTION FORCE: 44.1N MAX  
 WITHDRAWAL FORCE: 9.8N MIN, 39.2N MAX  
 MATING CYCLE: 10000 CYCLES  
 3. ELECTRICAL CHARACTERISTICS  
 RATING CURRENT: 0.5A  
 RATING VOLTAGE: 40V AC  
 CONTACT RESISTANCE: 10 MILLIOHMS MAX  
 (EXCLUDING CONDUCTOR RESISTANCE)  
 INSULATION RESISTANCE:  
 a, UNMATED: 100M OHMS MIN AT 500V DC  
 b, MATED: 10M OHMS MIN AT 150V DC  
 DIELECTRIC WITHSTANDING VOLTAGE:  
 500V AC/1MINUTE  
 OPERATING TEMPERATURE: -20°C-- +85°C  
 STORAGE TEMPERATURE: -20°C-- +65°C



料号信息说明: A111916-X-XX-X

类别: A: 成品  
 系列码: 11: HDMI-A/F  
 PIN 数码: 19: 19PIN  
 流水码: 16  
 同类变动码:  
 A: SHELL WITH "TC" LOGO  
 B: SHELL WITHOUT "TC" LOGO

包装: R: TAPE REEL  
 T: TRAY

端子接触区电镀:  
 01: Au 1u"  
 03: Au 3u"  
 05: Au 5u"  
 10: Au 10u"  
 15: Au 15u"

Item	Title	Material	Dispose	Remark
1	Terminal	Copper Alloy	Mating Area: See P/N Solder Tails: Sn	t=0.20
2	Insert Molding	High Temperature	UL94V-0	Black
3	Shell	Copper Alloy	Ni: 50u" Min.	t=0.50

X. ± 0.35	APPD: Lebon Lee	TITLE: HDMI2.1-A/F CONN. SMT TYPE	<p>泰康电子 TECONN</p>
.X ± 0.25	CHKD: /	PART NO: A111916-A(B)-XX-X	
.XX ± 0.15	DR: Cola Lee	DWG NO: C-A111916-A(B)-XX-X	
.XXX ±		CUSTOMER DRAWING	
X' ± 2'		SCALE: 1:1	SHEET: 10F1
X' ± 1.5'			REV: A

REV	ECN NO	DESCRIPTION	DESIGN	DATE
A	TE2019-00XX	New Drawing	Cola	2019/05/15