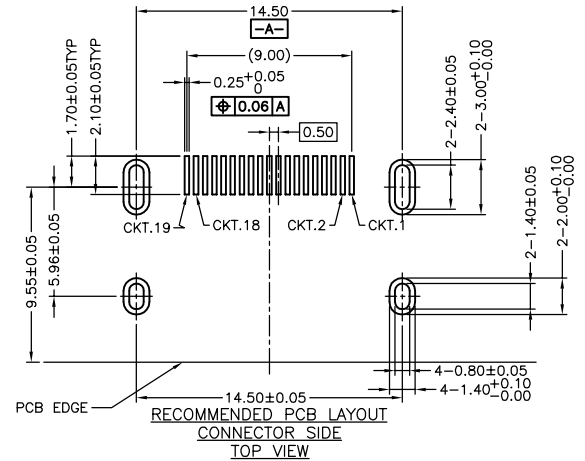
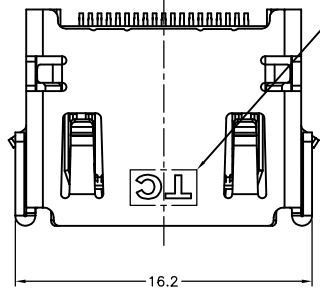
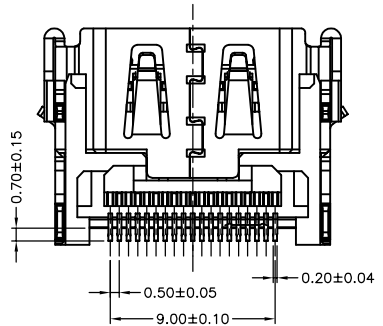
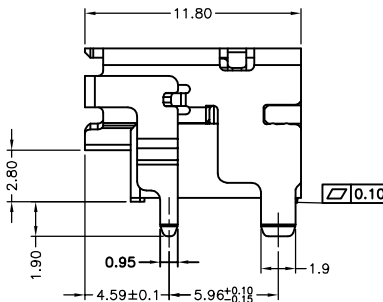
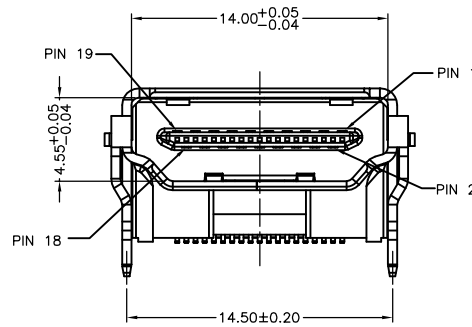


THE PART MEETS TECONN "GPO01" COMPLIANCE NEW REV.



NOTE:
1.MATERIAL AND FINISH SEE THE TABLE.
2.MECHANICAL CHARACTERISTICS
INSERTION FORCE: 44.1N MAX
EXTRACTION FORCE: 9.8N MIN, 39.2N MAX
MATING CYCLE:10000 CYCLES
3.ELECTRICAL CHARACTERISTICS
RATING CURRENT: 0.5A
RATING VOLTAGE: 40V
CONTACT RESISTANCE: 10 MILLOHMS OHMS MAX
(EXCLDING CONDUCTOR RESISTANCE)
INSULATION RESISTANCE:
a, UNMATED: 100M OHMS MIN AT 500 VDC
b, MATED: 10M OHMS MIN AT 150 VDC
DIELECTRIC WITHSTANDING VOLTAGE:
500V AC/1MINUTE
OPERATING TEMPERATURE: -20°C--+85°C
STORAGE TEMPERATURE: -20°C--+65°C



料号信息说明:
A111910-X-XX-X

类别
A:成品

系列码
11:HDMI-A/F

PIN数码
19:19PIN

流水码: 10

同类变动码:
E: 外壳有 "TC" LOGO, 端子尾部镀金1u" Min
F: 外壳无 "TC" LOGO, 端子尾部镀金1u" Min
M: 外壳有 "TC" LOGO, 端子尾部雾锡80u" Min

包装
R:TAPE & REEL
T:TRAY

端子接触区电镀
01:Au 1u"
03:Au 3u"
05:Au 5u"
10:Au 10u"
15:Au 15u"
30:Au 30u"

Item	Title	Material	Dispose	Remark
1	Terminal	Copper Alloy	Mating Area:See P/N Solder Tails:Cu Mating Area:See P/N Solder Tails:Sn	t=0.20
2	InsertMolding	LCP	UL94V-0	Black
3	Shell	Copper Alloy	Ni:50u" Min.	t=0.50

REV	ECN NO	DESCRIPTION	DATE
C	TE2015-0157	新增规格端子尾部雾锡80u"Min	2015.05.18
B	TE2011-0276	新开外壳模具, 改善外壳结构不良	2011.05.30
A	TE2010-213	初版发行	2010.04.13

X. ± 0.35	APPD:	Henry Sun	TITLE: HDMI-A/F CONN. 加高型 SMT TYPE 尾部无挡板, 铜壳脚长1.90	泰康电子 TECONN
.X ± 0.30	CHKD:			
.XX ± 0.25	DR:	Jason Su	PART NO: A111910-E(F, M)-XX-X	SHEET:10F1 REV: C
.XXX±				
X* ± 2'	UNITS:	mm	DWG NO:	CUSTOMER DRAWING
X* ± 1.5'	SCALE:	1:1	C-A111910-E(F, M)-XX-X	