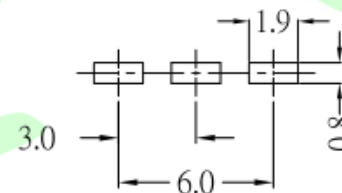
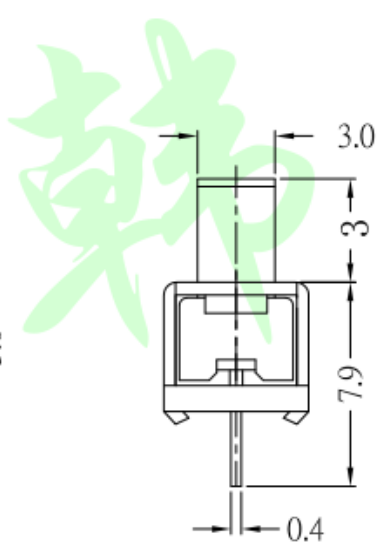
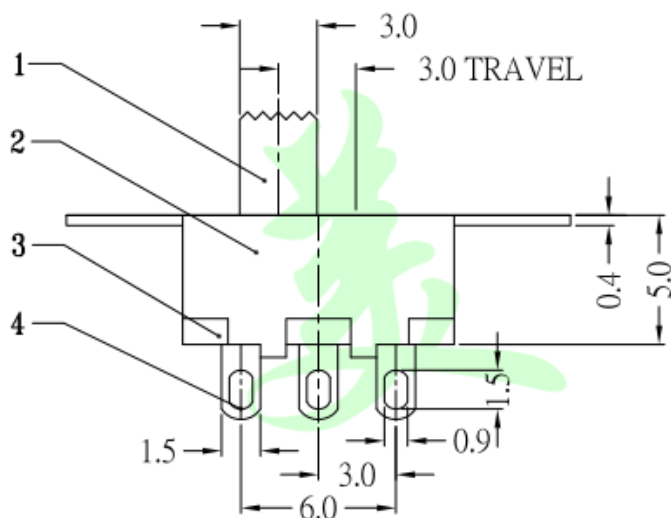


SCHEMATIC

Rating	DC 50V 0.3A
Circuit	1P - 2T
Timing	Non - Shorting
Contact Resistance	200mΩ Max.
Insulation Resistance	100MΩ Min.
Operating Force	180gf ±80gf
Operating Life (cycle)	10,000 Min.



P.C.B MOUNTING PATTERN

NO.	DESCRIPTION	QTY	MATERIAL	REMARK
6	SPRING	1	SUS	Natural
5	CONTACT	1	BRASS	Ag-Plated
4	TERMINAL	3	BRASS	Ag-Plated
3	BASE	1	PHENOLIC RESIN	Natural
2	FRAME	1	SPCC	Ni-Plated
1	KNOB	1	POM	Black

>0.5~2	±0.05	±0.10	±0.15
>2~5	±0.15	±0.20	±0.25
>5~10	±0.25	±0.28	±0.30
角度 ANGLE	±0.5°		
未注尺寸公差 (mm)			

第一视角	设计 Jack Jin	图面 单位	A4 MM	东莞市美韩电子科技有限公司 Dongguan Usakro Electronic Technology Co., Ltd.		
	审核 Jacky Zhong	比例 重量		1:1	DWG NO.	型号: SS-12F15-G3
	批准 Tony Meng	页码 版次	1/1 A/O	1 of 1	PART NO.	规格: 19.5*7.9*5.6
						SIZE A4 VER R