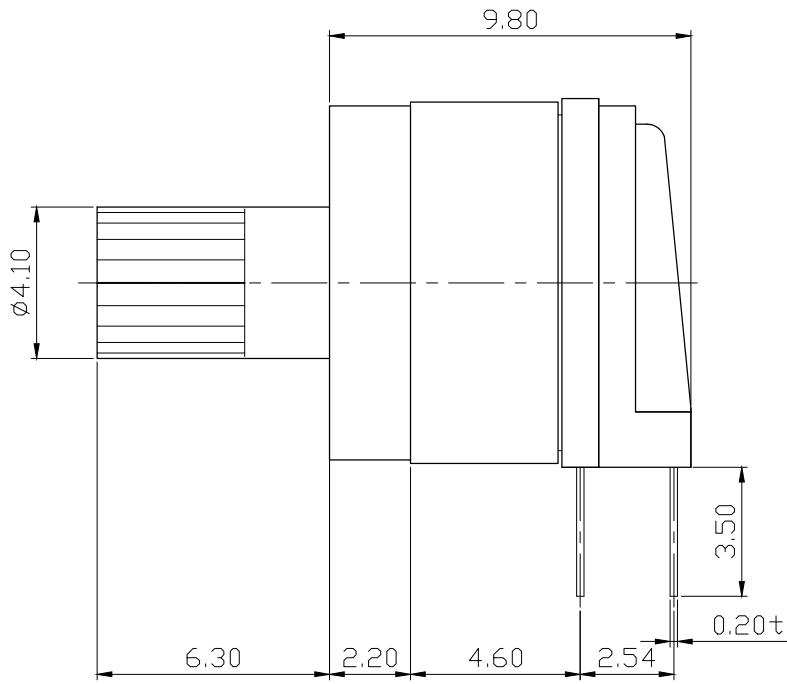
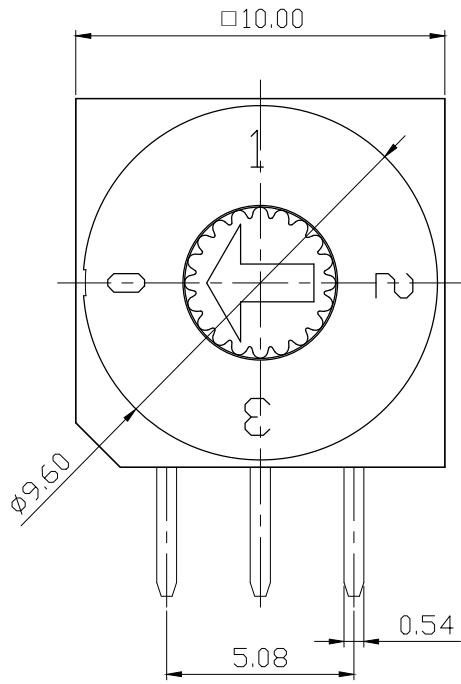
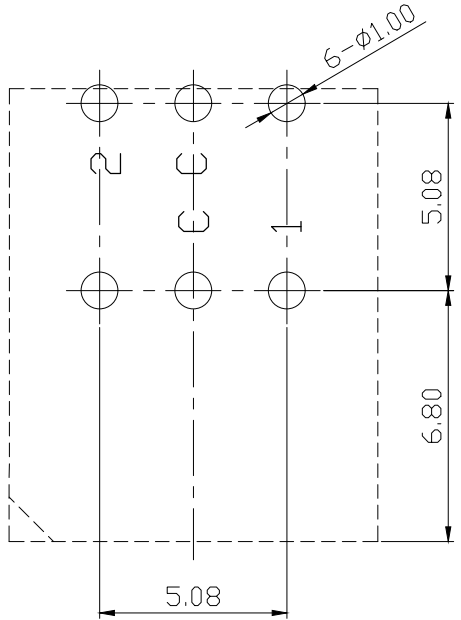


MARK	DATE	REMARKS
△		
△		



### SPECIFICATION

1. Rating : 150mA, 42V DC (Switching)  
200mA, 42V DC (None-Switching)
2. Contact Resistance : 80mΩ Max
3. Insulation Resistance : 100MΩ Min
4. Operating Force : 700gf Max
5. Life cycle : 10,000 steps



P.C.B DIMENSION (TOP VIEW)

		Real Coded		
		C	1	2
04 P o s i t i o n	0	●		
	1	●	●	
	2	●		●
	3	●	●	●

GENERAL TOLERANCE ± 0.3 mm

APPD	CHKD	D'SGD	TITLE	ROTARY DIP SWITCH	
J.P ROH	S.M PARK	Y.N JEON 2019.03.21	MODEL NO.	TSR-04H1	REV 02
SUNGMUN ELECTRONICS CO., LTD.					