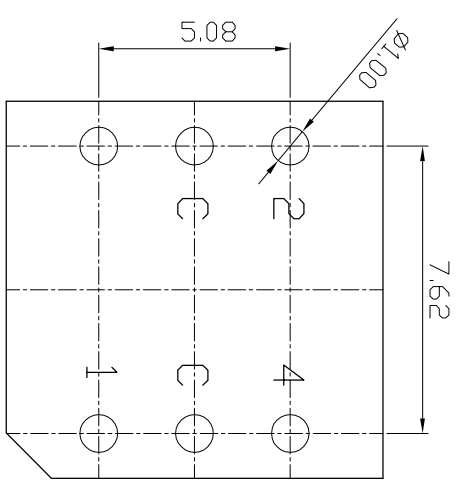
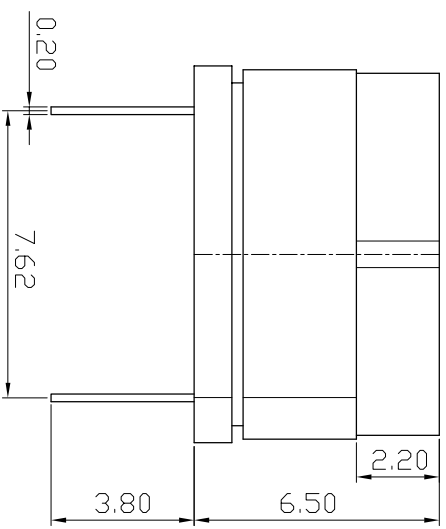
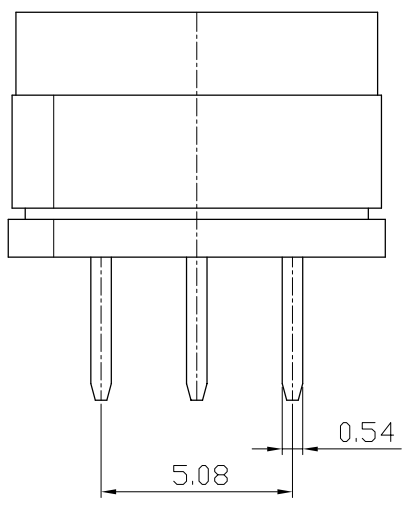
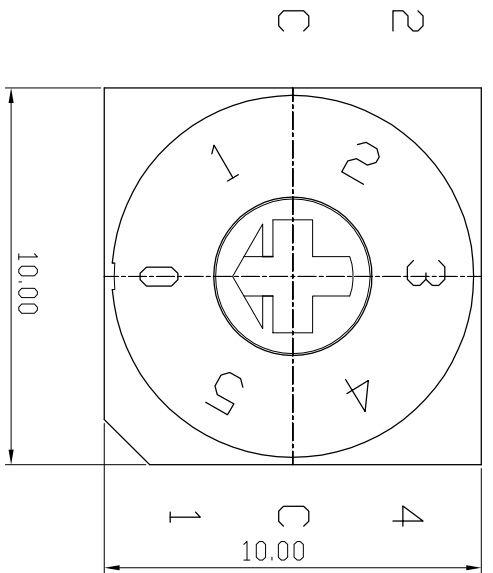


# SPECIFICATION

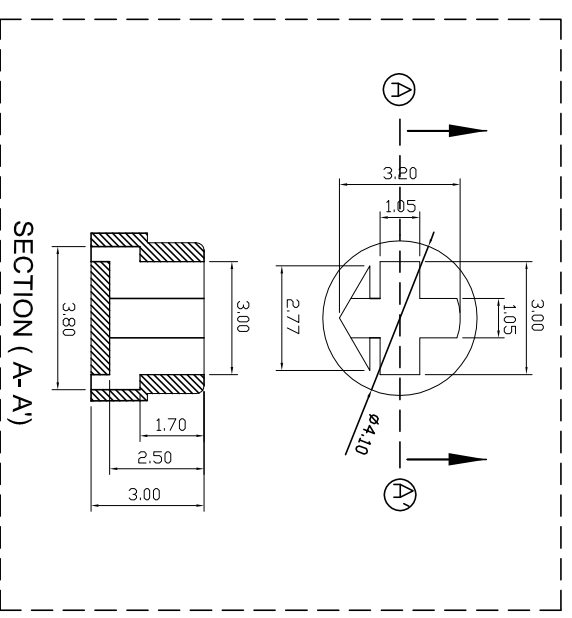
MARK	DATE	REMARKS
△		
△		

1. Rating : 150mA, 42V DC (Switching)  
200mA, 42V DC (None-Switching)
2. Contact Resistance : 80mΩ Max
3. Insulation Resistance : 100MΩ Min
4. Operating Force : 700gf Max
5. Life cycle : 10,000 steps



## P.C.B DIMENSION

Position	Real Coded				
	C	1	2	4	8
5					
0	●				
1	●	●			
2	●		●		
3	●			●	
4	●				●
5	●	●			●



APPD	CHKD	D'SGCD	TITLE	ROTARY DIP SWITCH	
K.L LEE	J.P ROH	W.J LEE	MODEL NO.	TER-06	
				REV	A
SUNGJUN ELECTRONICS CO., LTD.					