

**SMD2016-4 Crystal Resonator**

**7D038400I01**

1. Scope:

- 1.1 This specification applies to the RoHS compliance quartz crystal unit with a frequency of 38.400MHz which will be used in crystal oscillator applications.



2. Construction:

- 2.1 Type of Quartz Resonator: SMD2016-4pads

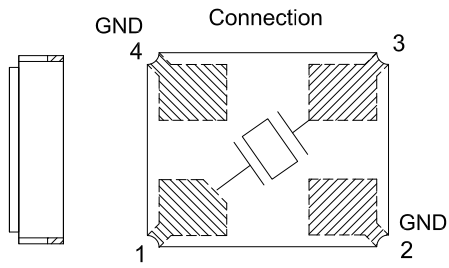
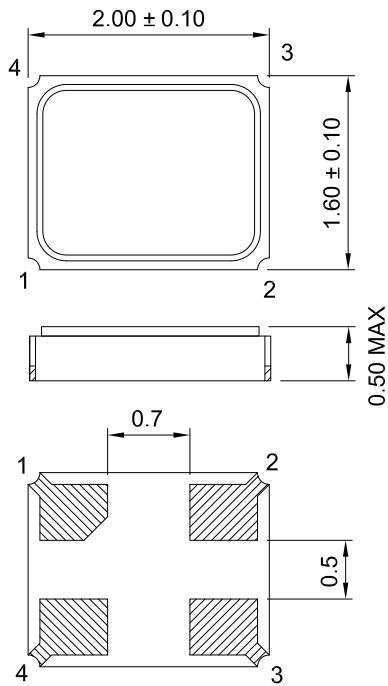
3. Electrical Characteristics

- |   |                      |
|---|----------------------|
| 3.1 Nominal Frequency(f):                     | 38.400MHz            |
| 3.2 Load Capacitance( $C_L$ ):                | 10pF                 |
| 3.3 Frequency Tolerance( $\Delta f/f$ ):      | $\pm 10$ ppm         |
| 3.4 Frequency Temperature Stability:          | $\pm 20$ ppm         |
| 3.5 Resonance Resistance(ohm):                | 40 ohms Max          |
| 3.6 Osc mode:                                 | Fundamental mode     |
| 3.7 Shunt Capacitance( $C_0$ ):               | 2pF Max              |
| 3.8 Drive Level( $D_L$ ):                     | 100 $\mu$ W Max      |
| 3.9 Operating Temperature Range( $T_{OPR}$ ): | -20 to + 70°C        |
| 3.10 Storage Temperature Range( $T_{STG}$ ):  | -55 to + 125°C       |
| 3.11 Insulation Resistance(IR):               | > 500M ohms          |
| 3.12 Aging( $\Delta f_A$ ):                   | $\pm 3$ ppm/Year Max |

# Reliability Specification

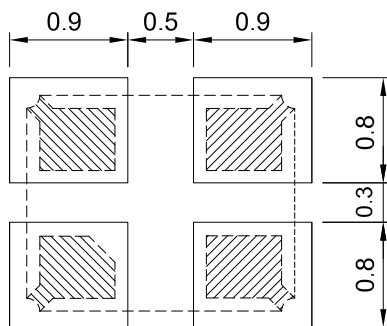
|    | Item                             | Condition  | Standard  |
|----|----------------------------------|--|---|
| 1. | Drop characteristics             | Free drop from 75cm height on a hard wooden board for 3 times. (Board is thickness more than 30 mm.)       | Frequency change: $\leq \pm 5\text{ppm}$<br>Rr as specification |
| 2. | Mechanical shock                 | Device are shocked to half sine wave (1000g) three mutually perpendicular axes each 3 times                | Frequency change: $\leq \pm 5\text{ppm}$<br>Rr as specification |
| 3. | Shake characteristics            | Shake frequency 10~55Hz, cyc1~2 minutes, swing 1.5mm, direction x/y/z, all 30 minutes, test after 1 hours. | Frequency change: $\leq \pm 5\text{ppm}$<br>Rr as specification |
| 4. | Humidity characteristics         | $+40 \pm 2^\circ\text{C}$ & 90%~95% R.H. 250 hours   | Frequency change: $\leq \pm 5\text{ppm}$<br>Rr as specification |
| 5. | Low temperature characteristics  | $-40 \pm 2^\circ\text{C}$ , 250 hours, put in room temperature, test after 1 hours.                        | Frequency change: $\leq \pm 5\text{ppm}$<br>Rr as specification |
| 6. | High temperature characteristics | $+85 \pm 2^\circ\text{C}$ , 250 hours, put in room temperature, test after 1 hours.                        | Frequency change: $\leq \pm 5\text{ppm}$<br>Rr as specification |
| 7. | Temperature cycling              | $-30 \pm 3^\circ\text{C}/30 \pm 3 \text{ min} \sim +85 \pm 2^\circ\text{C}/30 \pm 3\text{min}$ , 5 cycles  | Frequency change: $\leq \pm 5\text{ppm}$<br>Rr as specification |
| 8. | Refluence examination            | <p>1. Max 180sec<br/>2. Max 10 sec<br/>3. Max 80 sec<br/>4. Max 90 sec</p>                                 | Frequency change: $\leq \pm 5\text{ppm}$<br>Rr as specification |

## Package Outline Dimensions



| 引脚 | 功能  |
|----|-----|
| #1 | IN  |
| #2 | GND |
| #3 | OUT |
| #4 | GND |

## Suggested Pad Layout



---

## Packing Specificatio

---

