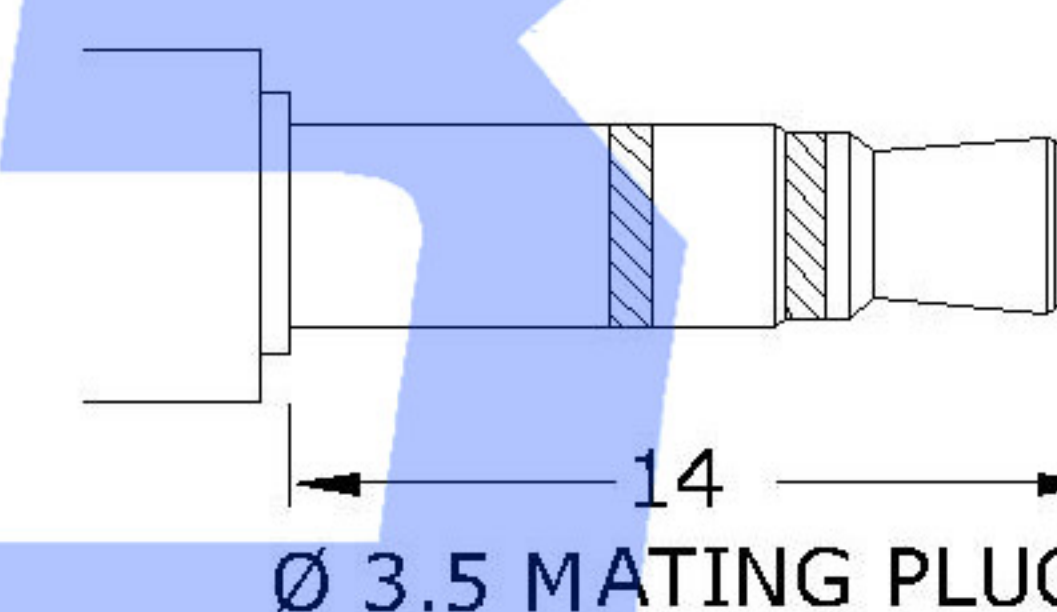


PCB LAYOUT TOP VIEW



Model No.	PJ-307N3	PJ-307N4	PJ-307N5
Schematic			
PIN			
1	sleeve	sleeve	sleeve
2	tip	tip	tip
3	ring	ring	ring
4	NP	tip switch	tip switch
5	NP	NP	ring switch

	MATERIAL	PLATING
terminal 1	Phosphor Bronze	tin
terminal 2	Phosphor Bronze	tin
terminal 3	Phosphor Bronze	tin
terminal 4	Brass	tin
terminal 5	Brass	tin
plastic	Pbt	

MARK	DESCRIPTION	DATE	REVISED	APPROVED	UNSPECIFIED TOLERANCES	DSND	DATE	SCALE: N/A	MODEL TYPE: 3.5 PHONE JACK
△X					ANGULAR ±5°	DWN	DATE	VIEW:	PART NO.:
△X					X.X ±0.2mm	CHKD	DATE	UNIT: mm	DWG NO.:
△X					X.XX ±0.1mm	APPD	DATE	SIZE: A4	PJ-307NX
					X.XXX ±0.05mm	XKB INDUSTRIAL PRECISION CO.,LIMITED			WEIGHT 1.0g
									SHEET 1/1
									REVISION A0