

Circuit Diagram

**FEATURES**

- Light operating force.
- Long term low contact resistance.
- Momentary or latching operation.
- Short stroke 1.5mm to latch.
- Compact spacing on PCB of 5.8mm.

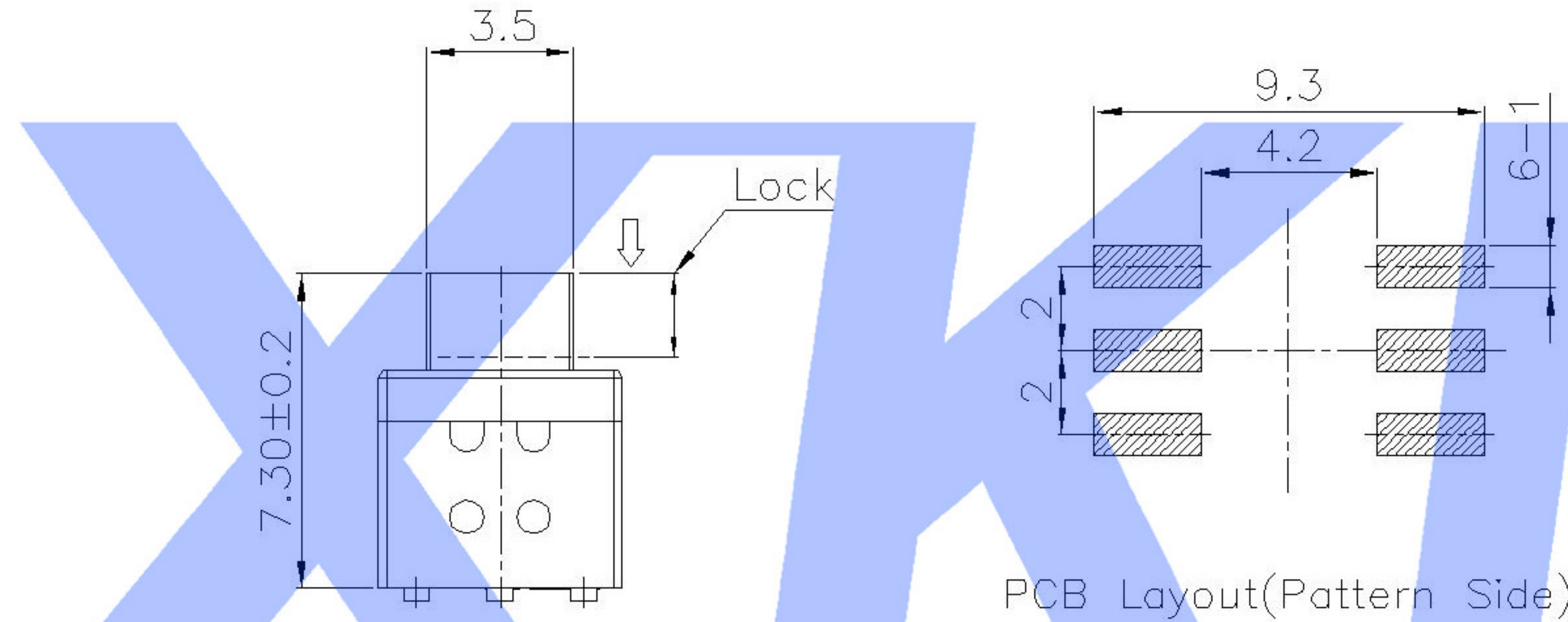
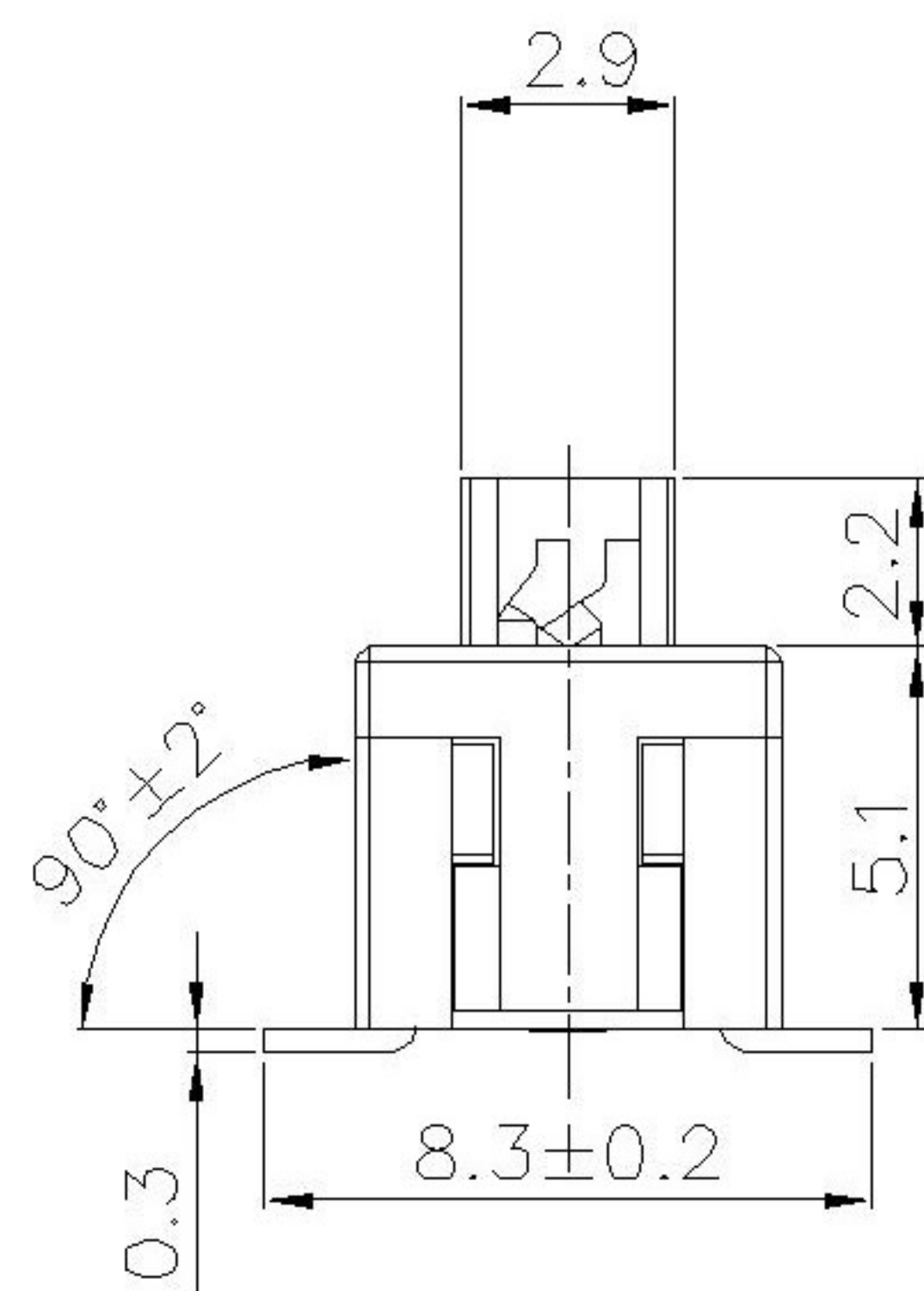
**SPECIFICATIONS**

**1.ELECTRICAL**

● Contact rating	0.1A, 30VDC
● Contact resistance	50mWMax.
● Insulation resistance	100MΩMin. at 250VDC
● Dielectric strength	250VAC Min. for 60 sec.

**2.MECHANICAL AND ENVIRONMENTAL**

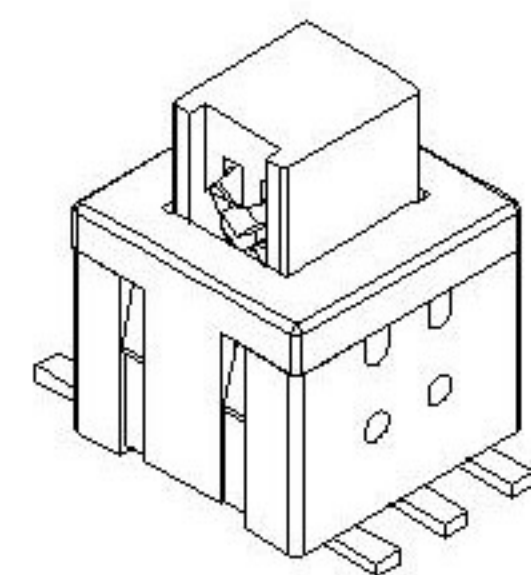
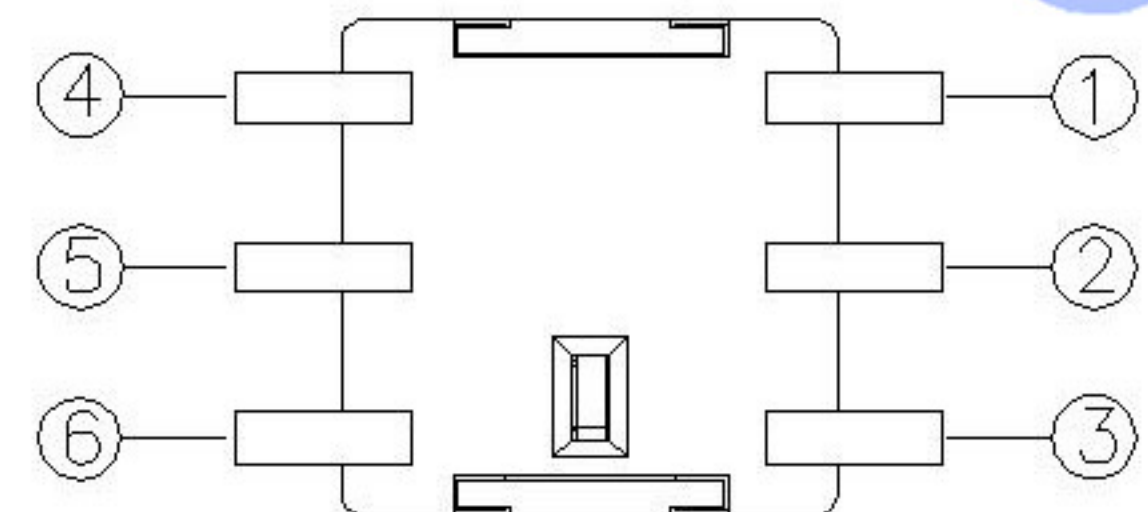
● Temperature rating	Operating: -15℃ to +55℃ Storage: -25℃ to +65℃
● Operation force	160±80gf
● Stroke	Lock Stroke: 1.5±0.2mm Full Stroke: 2.0±0.2mm
● Operating life	full load: 1x10 <sup>4</sup> cycles no load: 1x10 <sup>5</sup> cycles
● Contact form	DPDT



PCB Layout(Pattern Side)

PAPT NO	<b>XKB5858-X-TP-75</b>
OPERATION	W:NO LOCK Z:LOCK

**SWITCH CONNECTOR**



⑦	Contact	2	Phosphor bronze	Plating silvering		
⑥	Terminal	6	Brass	Plating silvering		
⑤	Spring	1	Sus	Natural		
④	Base	1	Ppa			
③	Crochet Needle	1	Sus	Natural		
②	Cover	1	Ppa			
①	Keystake	1	Ppa			
ITEM	PAPT NAMF	TER,NO	QTY	MATERIAL	FINISHING	REMARK

DSND		DATE		SCALE: N/A	MODEL TYPE: <b>KEY SWITCH</b>		
DWN		DATE		VIEW:	PART NO.:		
CHKD		DATE		UNIT: mm	DWG NO.:		
APPD		DATE		SIZE: A4	<b>XKB5858-X-TP-75</b>		
				<b>XKB INDUSTRIAL PRECISION CO.,LIMITED</b>	WEIGHT 1.0g	SHEET 1/1	REVISION A0

ANGLAR	±5°				
△X	X.X ±0.2mm				
△X	X.XX ±0.1mm				
△X	X.XXX ±0.05mm				
MARK	DESCRIPTION	DATE	REVISED	APPROVED	UNSPECIFIED TOLERANCES
REVISIONS					
www.xk-dg.cn www.helloxkb.com www.helloxkb.cn					