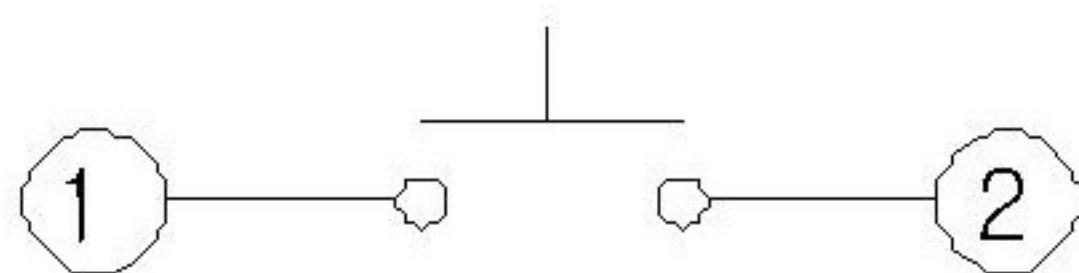
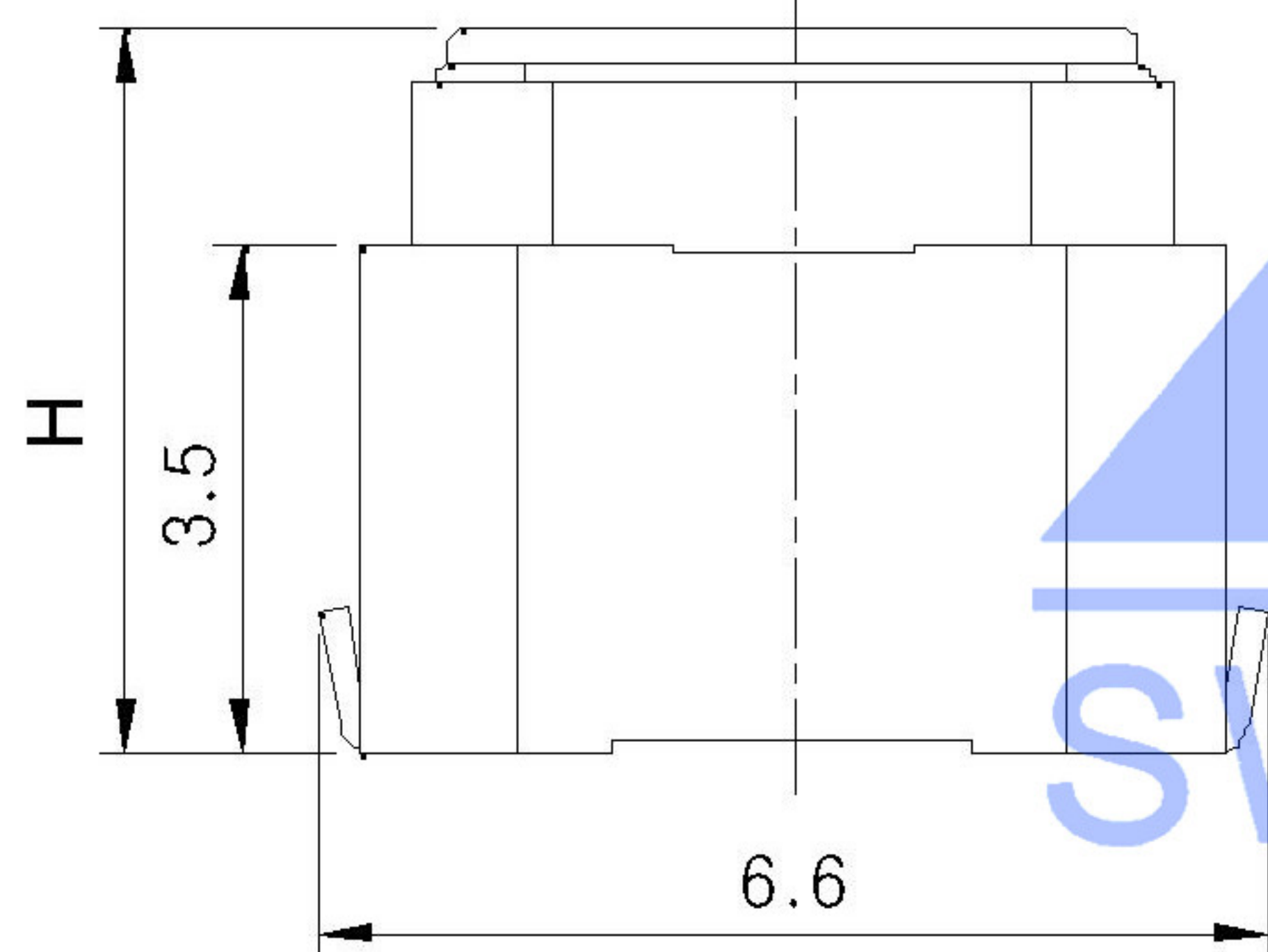
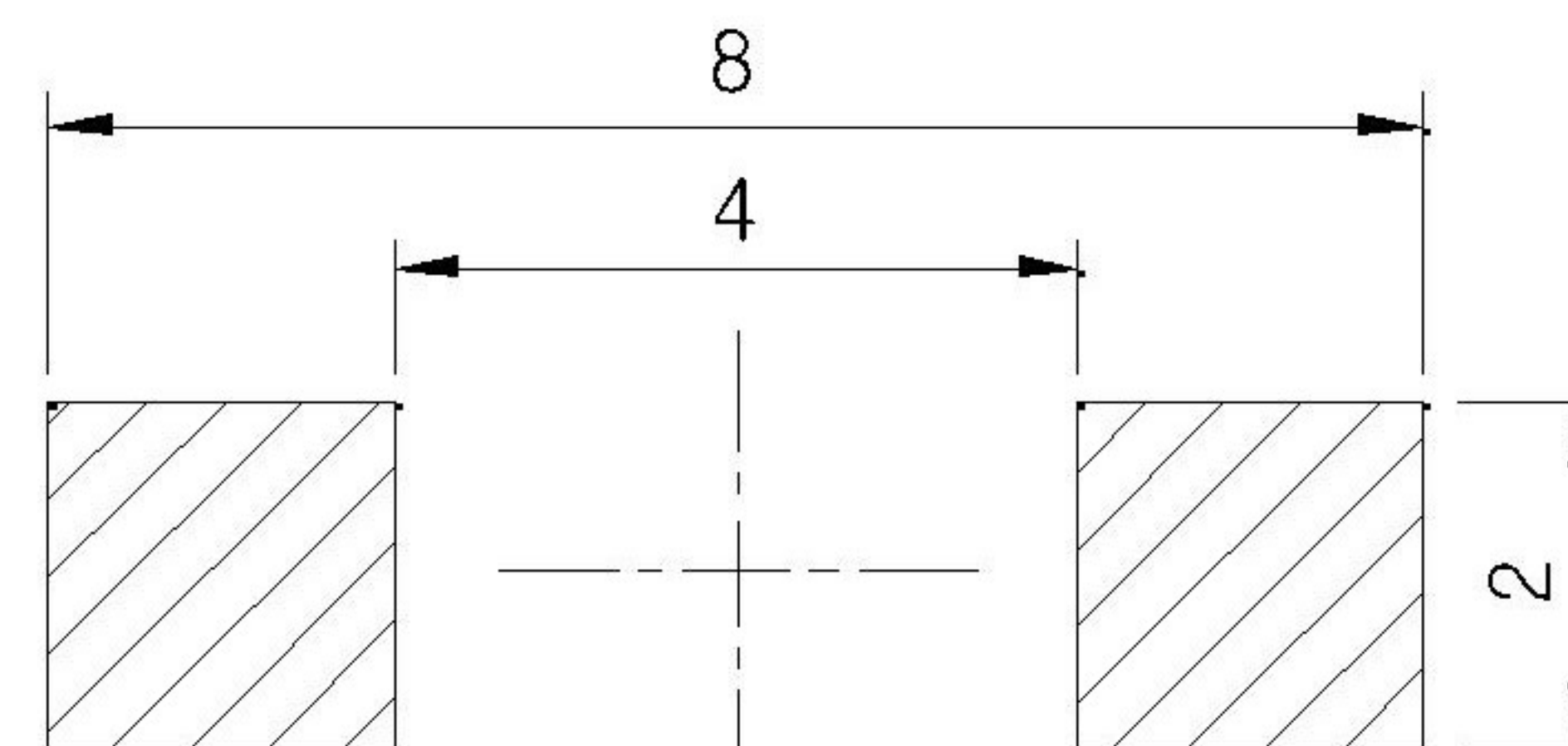


CIRCUIT DIAGRAM



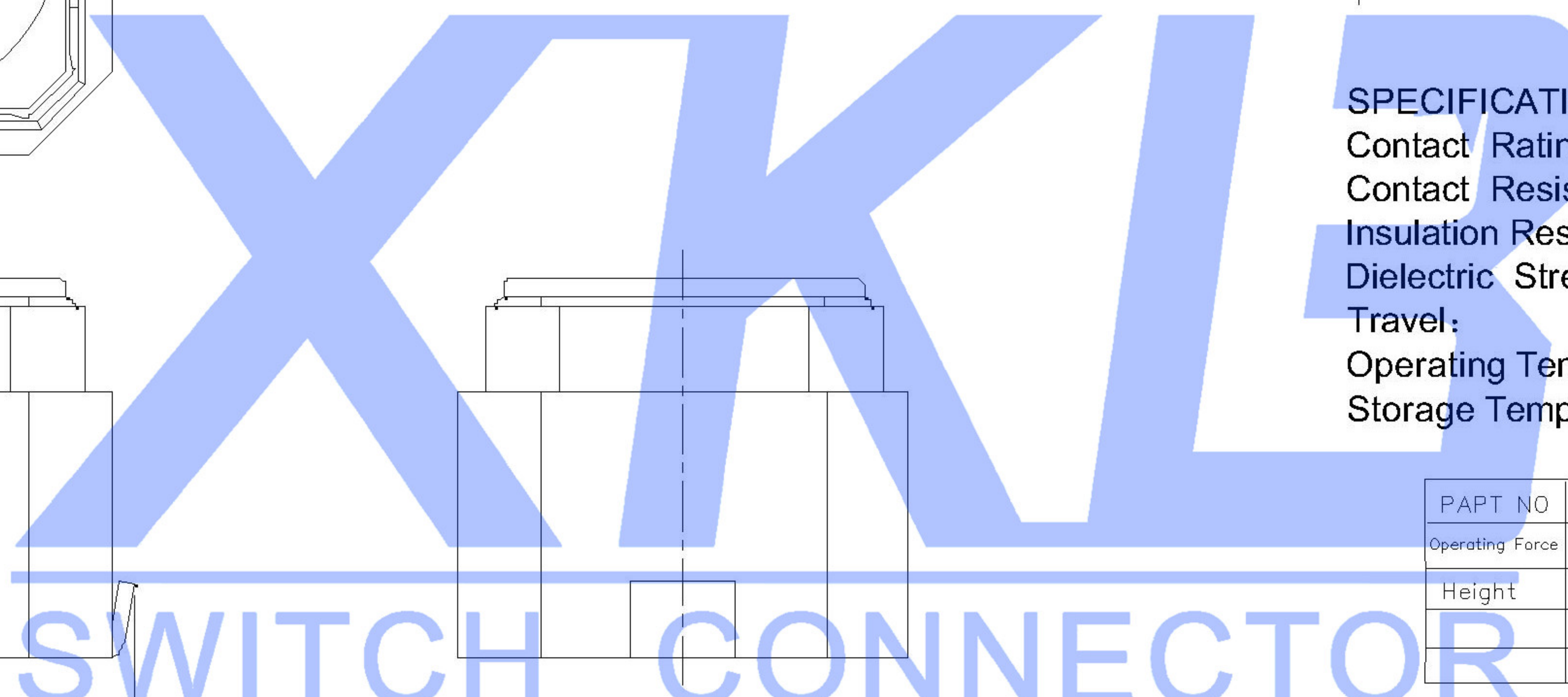
SM D REFL OW PATTERN



SPECIFICATION

Contact Rating: 50mA, 12V DC  
 Contact Resistance: 100mΩ max  
 Insulation Resistance: 100mΩ min. 500V DC  
 Dielectric Strength: 250V AC/1minute  
 Travel: 1.3mm  
 Operating Temp: -30°C ~ +85°C  
 Storage Temp: -30°C ~ +80°C

PAPT NO	TS-1199A-X-X
Operating Force	B: 160gf B1: 200gf C: 260gf
Height	II: A: 4.3 B: 5.0



⑤	Terminal	—	2	Brass (0.30t)	Plating silvering	—
④	Contact	—	1	F.ag/Sus	Natural	—
③	Base	—	1	Lcp		—
②	Cover	—	1	Lcp		—
①	Keystone	—	1	Lcp		—
ITEM	PAPT NAME	TER.NO	QTY	MATERIAL	FINISHING	REMARK

					units: mm	DSND	DATE	SCALE: N/A	MODEL TYPE: TACT SWITCH		
					tolerance:	DWN	DATE	VIEW:	PART NO.:		
					X.X ±0.2mm	CHKD	DATE	UNIT: mm	DWG NO.:		
					X.XX ±0.1mm	APPD	DATE	SIZE: A4	TS-1199A-X-X		
					X.XXX ±0.05mm				WEIGHT	SHEET	REVISION
					UNSPECIFIED TOLERANCES	XKB INDUSTRIAL PRECISION CO., LIMITED			1.0g	1/1	A0
MARK	DESCRIPTION	DATE	REVISED	APPROVED	REVISIONS						
ΔX											
ΔX											
ΔX											
www.xk-dg.cn www.helloxkb.com www.helloxkb.cn											