

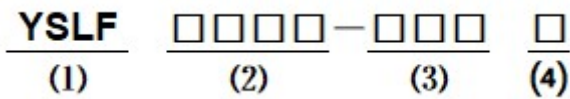
■ Features

- Low-profile type with low RDC and large current.
- The magnetic shielded type is suitable and high density mounting.
- Available on tape and reel for auto-insertion.
- Ideal for variety of DC-DC converter inductor applications..
- Operating temperature:-40°C ~ +125°C.

■ Applications

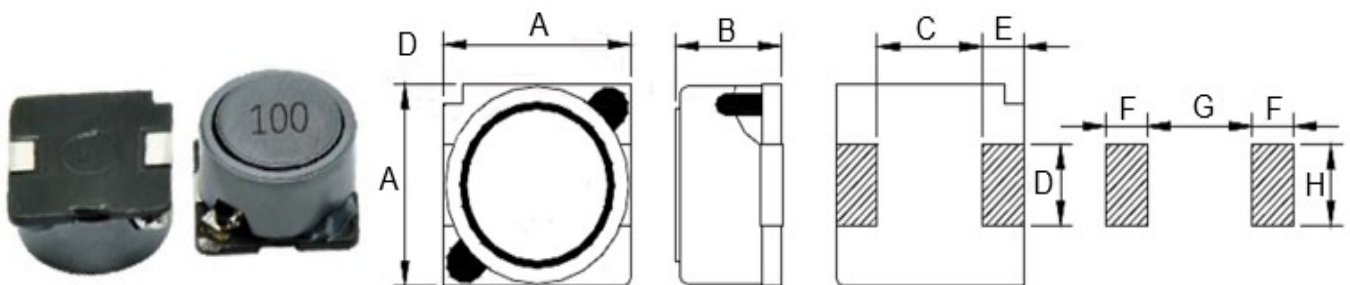
- Portable communication equipment.
- Notebook PC,digital camera,LCD television set.
- Power supply for VTR,OA equipment.
- DC/DC converters.

■ Product Identification



- (1) : Type
- (2) : Dimensions
- (3) : Inductance value
- (4) : Inductance Tolerance; N=±30%,M=±20%, K=±10%

■ Shapes and Dimensions (Unit: mm)



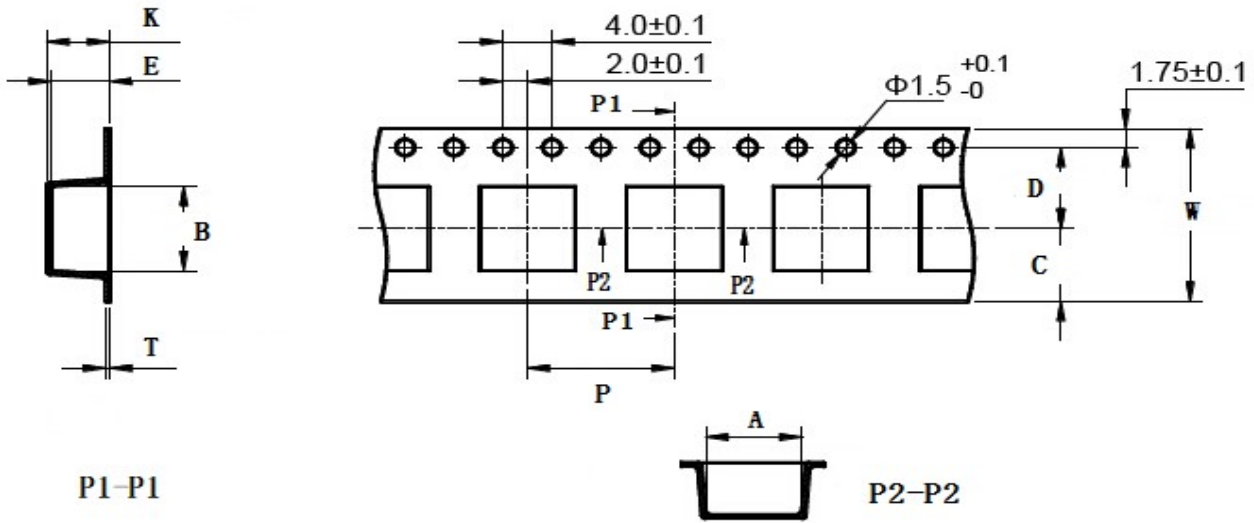
TYPE	A	B	C	D	E	F Ref.	G Ref.	H Ref.
YSLF6028	6.0±0.3	2.8±0.3	4.0±0.2	2.0±0.2	0.9	1.5	4.0	2.2

■ YSLF6028 Series

Part Number	Inductance (uH)	Test Freq.(KHz)	DCR Max.(Ω)	Rated Current Max. (A)
YSLF6028-3R0□	3.0	100	0.025	2.00
YSLF6028-4R7□	4.7	100	0.044	1.60
YSLF6028-6R8□	6.8	100	0.063	1.50
YSLF6028-100□	10	100	0.082	1.30
YSLF6028-150□	15	100	0.120	1.00
YSLF6028-180□	18	100	0.130	0.80
YSLF6028-220□	22	100	0.144	0.77
YSLF6028-330□	33	100	0.216	0.69
YSLF6028-470□	47	100	0.324	0.59
YSLF6028-680□	68	100	0.468	0.50
YSLF6028-101□	100	100	0.744	0.42
YSLF6028-151□	150	100	0.780	0.34
YSLF6028-221□	220	100	1.176	0.26
YSLF6028-271□	270	100	4.380	0.22
YSLF6028-331□	330	100	4.940	0.19

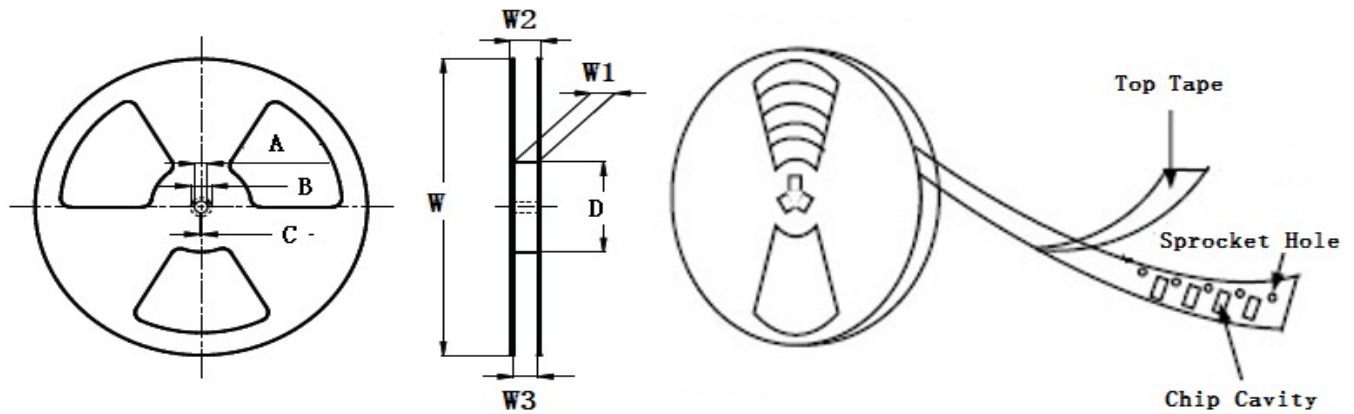
- ※ The saturation current value is the DC current value having inductance decrease down to 30%.(at 20°C)
- ※ The temperature rise current value is the DC current value having temperature increase up to 40°C. (at 20°C)
- ※ The rated current is the DC current value that satisfies both of current value saturation current value and temperature rise current value.

■ Taping Dimensions(Unit:mm)



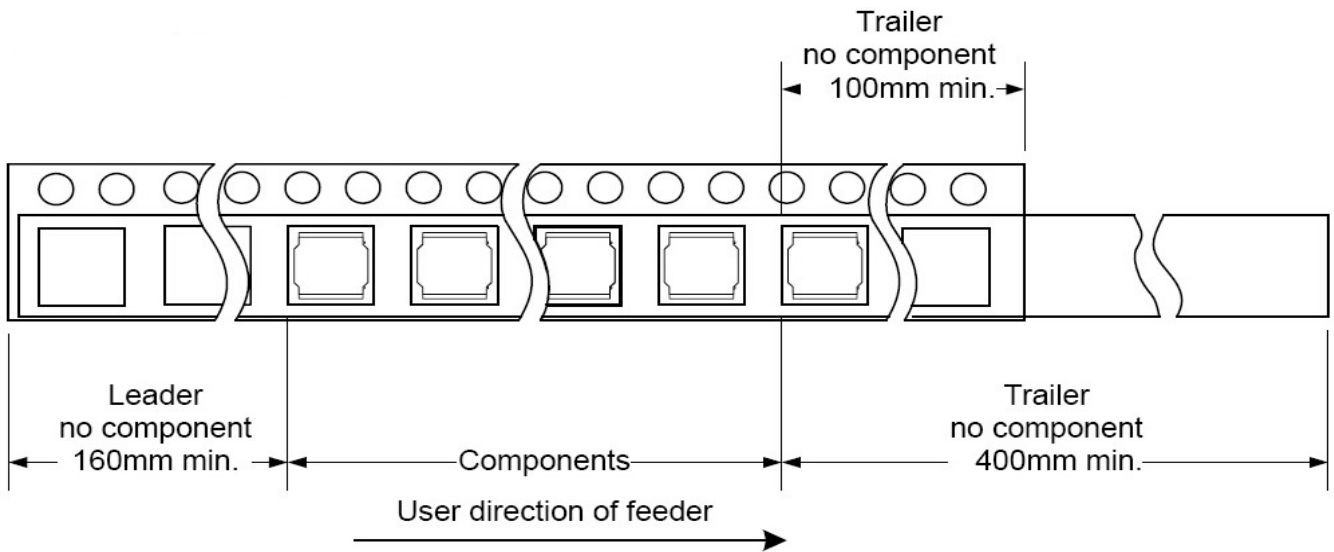
TYPE	W	A	B	C	D	E	P	K Ref	T	MPQ
YSLF6028	16±0.3	6.40±0.1	6.40±0.1	6.75	7.5±0.1	3.65±0.1	12±0.1	3.10	0.35±0.05	1500

■ Reel Dimensions(Unit:mm)

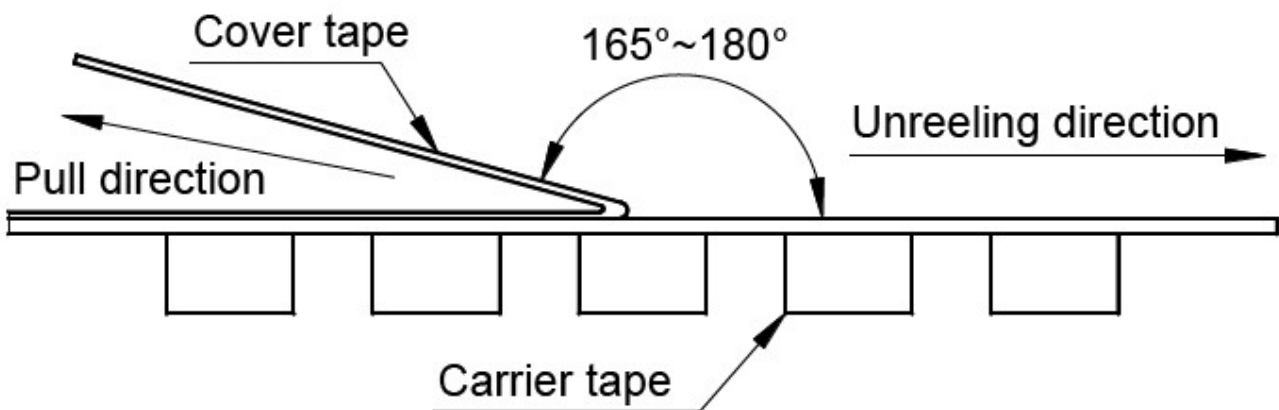


TYPE	W	W1	W2	W3	A	B	C	D
YSLF6028	330±2.0	16.4±2.00	22.4MAX	15.9 Min	13.0±0.50	21.0±0.80	2.0±0.50	100 Min

Direction of rolling



Cover tape peel off condition



Cover tape peel force shall be 0.1N to 1.3N.

Reference peel speed 300±10mm/min.