

## 1.ELECTRICAL SPECIFICATIONS @25°C

1.1 OCL: 350 uH Min @ 100 KHz, 0.1V with 8mA DC Bias

1.2 Leakage Inductance: 0.5uH Max @ 100KHz, 0.2V

1.3 DCR: 1.4Ω Max

1.4 Turns Ratio: 1CT:1CT

1.5 Polarity: 1-20, 4-17, 6-15, 9-12 In-Phase

1.6 Insertion Loss: -1.0 dB Max. @ 0.3-100 MHz

1.7 Return Loss: -18 dB Min. @ 1-30 MHz

-14 dB Min. @ 30-60 MHz

-12 dB Min.@ 60-80 MHz


1.8 Cross Talk: -30 dB Min@ 1-100 MHz

1.9 Common Mode Rejection : -30 dB Min@ 1-100 MHz

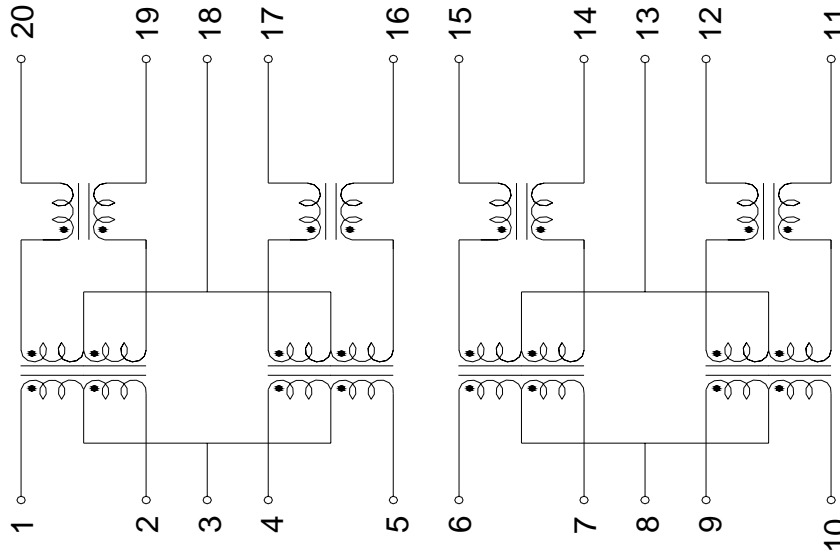
1.10 Isolation HI-POT: 1500Vrms 2mA 60Second

1.11 Operating temperature 0°C to +70°C

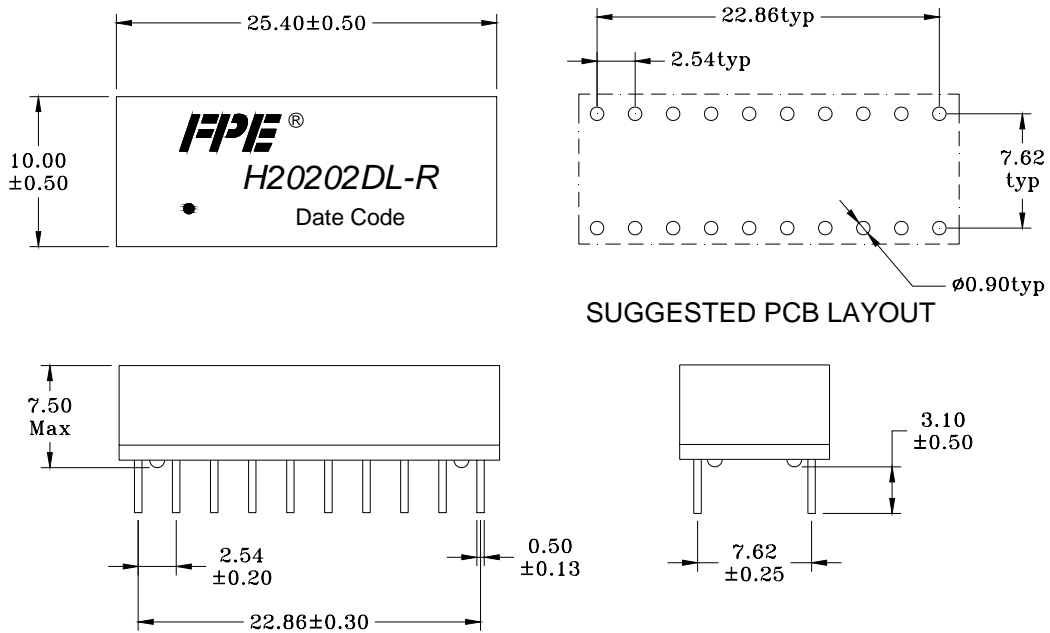
1.12 Storage temperature -40°C to +85°C


Drawn by	Checked by	Approved by	TITLE: 10/100 BASE-T
			PART NO: H20202DL-R
	Dongguan Meixin Science and Technology Co., Ltd		REV: B
			PAGE: 1 / 2

## 2. SCHEMATICS:



## 3. DIMENSIONS & MARKING:



Drawn by	Checked by	Approved by	TITLE: 10/100 BASE-T
			PART NO: H20202DL-R
	Dongguan Meixin Science and Technology Co., Ltd		REV: B
			PAGE: 2 / 2