



## High Efficiency 10A Boost DC/DC Converter

### General Description

The LP6221A is a current mode boost DC-DC converter. Its PWM circuitry with built-in 10A current power MOSFET makes this converter highly power efficiently. The LP6221A implements a constant frequency 500KHz PWM control scheme. The LP6221A can drive up to 20V output voltage

The LP6221A includes under-voltage lockout, current limiting, and thermal overload protection to prevent damage in the event of an output overload. The LP6221A is available in ESOP-8 package.

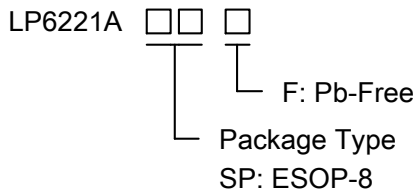
### Features

- ◆ Up to 94% efficiency
- ◆ Output completely off at Shutdown Mode
- ◆ Output voltage Up to 20V
- ◆ Over Current Protection
- ◆ Over Temperature Protection
- ◆ 500KHz fixed frequency switching
- ◆ High switch on current: 10A
- ◆ Available in ESOP-8 Package

### Applications

- ◇ Battery products
- ◇ Host Products
- ◇ Panel

### Order Information



### Marking Information

Device	Marking	Package	Shipping
LP6221ASPF	LPS LP6221A YWX	ESOP-8	4K/REEL

Marking indication:  
Y:Production year W:Production week X: Series Number



### Functional Pin Description

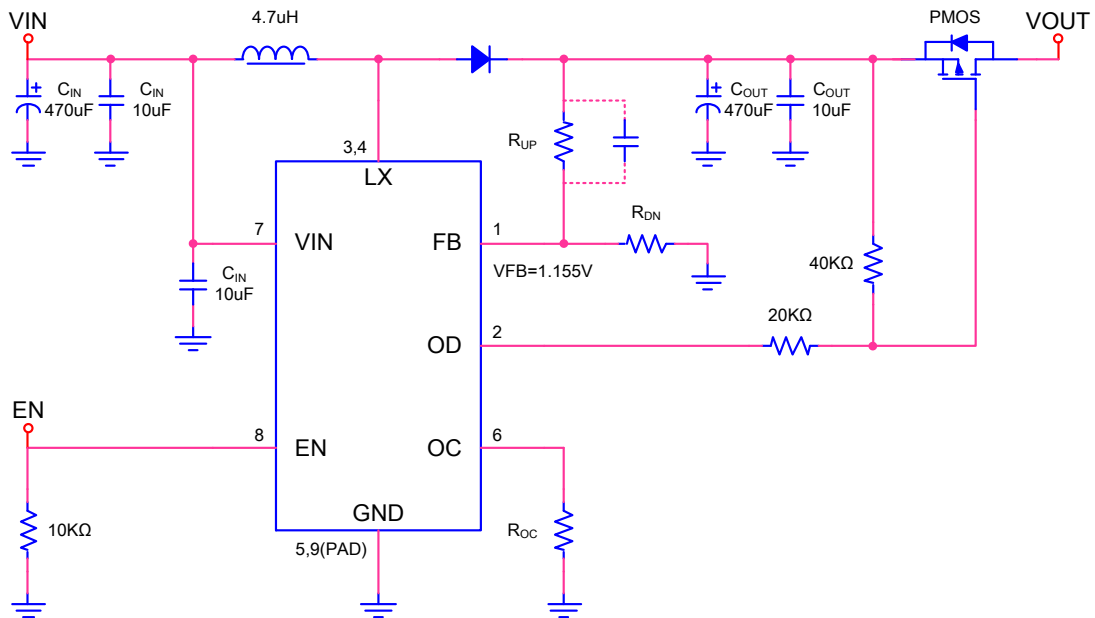
Package Type	Pin Configurations
ESOP-8	<p style="text-align: center;">ESOP-8 (Top View)</p>

### Pin Description

Pin No.	Name	Description
1	FB	Regulation Feedback Input. The feedback voltage is 1.16V.
2	OD	Output Disconnect Control Pin.
3/4	LX	Switching Pin.
5/9	GND	Ground Pin.
6	OC	Over Current Protection Program Pin. Connect a resistance to GND.
7	VIN	Power Supply Pin.
8	EN	Chip Enable Pin. Active high



### Typical Application Circuit





### Absolute Maximum Ratings <sup>Note 1</sup>

- ◇ VIN to GND ----- -0.3V to 16V
- ◇ SW to GND ----- -0.3V to 24V
- ◇ OC/FB to GND ----- -0.3V to 6V
- ◇ Other Pin to GND ----- -0.3V to 15V
- ◇ Maximum Junction Temperature ----- 150°C
- ◇ Operating Junction Temperature Range (T<sub>J</sub>) ----- -40°C to 85°C
- ◇ Maximum Soldering Temperature (at leads, 10 sec) ----- 260°C

**Note 1.** Stresses beyond those listed under “Absolute Maximum Ratings” may cause permanent damage to the device. These are stress ratings only, and functional operation of the device at these or any other conditions beyond those indicated in the operational sections of the specifications is not implied. Exposure to absolute maximum rating conditions for extended periods may affect device reliability.

### Thermal Information

- ◇ Maximum Power Dissipation (P<sub>D</sub>, T<sub>A</sub>=25°C) ----- 2.0W
- ◇ Thermal Resistance (θ<sub>JA</sub>) ----- 46°C/W

### ESD Susceptibility

- ◇ HBM(Human Body Mode) ----- 2KV
- ◇ MM(Machine Mode) ----- 200V



## Electrical Characteristics

(The specifications which apply over the full operating temperature range, otherwise specifications are at  $T_A=25^{\circ}\text{C}$ ,  $V_{IN} = 5\text{V}$ , unless otherwise noted.)

Parameter	Symbol	Condition	Min	Typ.	Max	Units
Supply Voltage			2.6		15	V
Output Voltage Range					20	V
Supply Current	$I_{CC}$	$V_{FB}=1.5\text{V}$		0.15		mA
Shutdown Current	$I_{SD}$	$V_{EN}=0\text{V}$			1	$\mu\text{A}$
Feedback Voltage	$V_{FB}$			1.155		V
Feedback Input Current	$I_{FB}$	$V_{FB}=1.5\text{V}$			0.1	$\mu\text{A}$
Switching Frequency	$f_{OSC}$			500		KHz
Maximum Duty Cycle	$D_{MAX}$		85	90	95	%
EN Input Low Voltage	$V_{EN\_L}$				0.4	V
EN Input High Voltage	$V_{EN\_H}$		1.4			V
Switch Current Limit	$I_{LIMIT}$	$V_{OUT}=12\text{V } R_{OC}=\text{NC}$		6		A
		$V_{OUT}=12\text{V } R_{OC}=10\text{K}\Omega$		10		A
		$V_{OUT}=12\text{V } R_{OC}=12\text{K}\Omega$		8		A
		$V_{OUT}=12\text{V } R_{OC}=20\text{K}\Omega$		4		A
		$V_{OUT}=12\text{V } R_{OC}=30\text{K}\Omega$		2		A
MOSFET On Resistance	$R_{DS(ON)}$			15		$\text{m}\Omega$
Thermal shutdown	$T_{OTP}$			150		$^{\circ}\text{C}$
OTP hysteresis	$T_{OTP\_HYS}$			20		$^{\circ}\text{C}$



## Application Information

The LP6221A uses a fixed frequency, peak current mode boost regulator architecture to regulate voltage at the feedback pin. At the start of each oscillator cycle the MOSFET is turned on through the control circuitry. To prevent sub-harmonic oscillations at duty cycles greater than 50 percent, a stabilizing ramp is added to the output of the current sense amplifier and the result is fed into the negative input of the PWM comparator. When this voltage equals the output voltage of the error amplifier the power MOSFET is turned off. The voltage at the output of the error amplifier is an amplified version of the difference between the 1.155V bandgap reference voltage and the feedback voltage. In this way the peak current level keeps the output in regulation. If the feedback voltage starts to drop, the output of the error amplifier increases. These results in more current to flow through the power MOSFET, thus increasing the power delivered to the output. The LP6221A has internal soft start to limit the amount of input current at startup and to also limit the amount of overshoot on the output.

### Setting the Output Voltage

Set the output voltage by selecting the resistive voltage divider ratio. The voltage divider drops the output voltage to the 1.155V feedback voltage. Use a 20K resistor for  $R_{DN}$  of the voltage divider. Determine the high-side resistor  $R_{UP}$  by the equation:

$$V_{OUT} = \left( \frac{R_{UP}}{R_{DN}} + 1 \right) \times V_{FB}$$

### Current Limitation

The internal power-MOS switch current is monitored cycle-by-cycle and is limited to the value not exceed 10A(Typ.). When the switch current reaches the limited value, the internal power-MOS is turned off immediately until the next cycle. Keep traces at this pin as short as possible. Do not put capacitance at this pin.

### Current limit program

A resistor between OC and GND pin programs peak switch current. When the  $R_{OC}$  value is between 10K and 30K, the current limit will be set from 10A to 2A. If the OC pin is left floating, the default current limit is 6A. Keep traces at this pin as short as possible. Do not put capacitance at this pin.

### Diode Selection

To achieve high efficiency, Schottky diode is good choice for low forward drop voltage and fast switching time. The output diode rating should be able to handle the maximum output voltage, average power dissipation and the pulsating diode peak current.

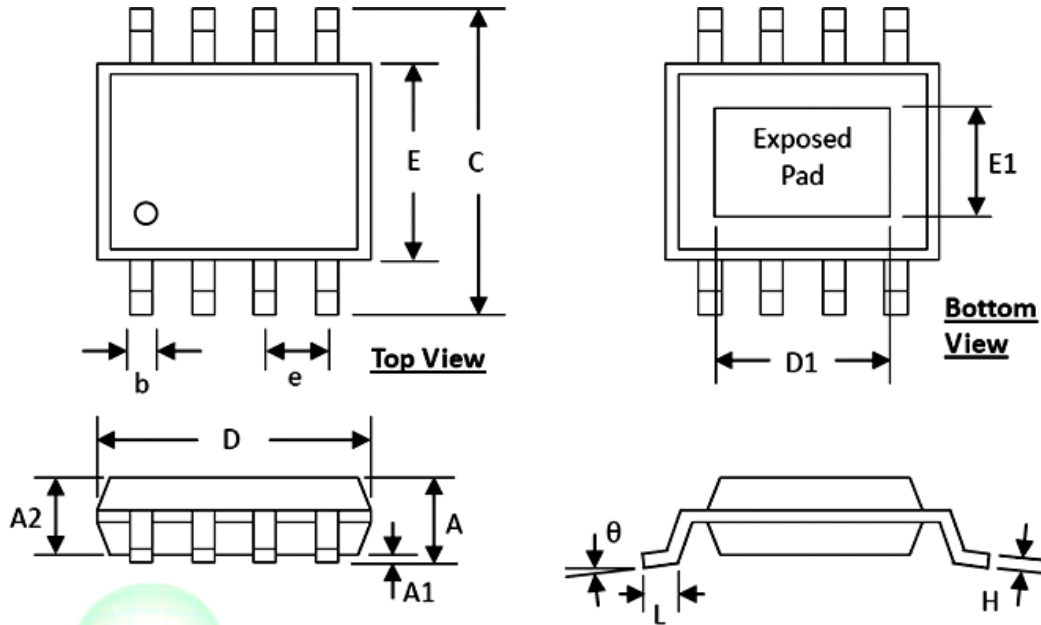
### Output Disconnect Control Function

The LP6221A can control the external MOS switch through the OD pin. When EN is low, the OD pin is in a high-impedance state. When EN is high, the OD pin is pulled down to GND. This allows the asynchronous boost to cut off the output in shutdown mode.



Packaging Information

ESOP-8



SYMBOLS	DIMENSION (MM)		DIMENSION (INCH)	
	MIN	MAX	MIN	MAX
A	1.30	1.70	0.051	0.067
A1	0.00	0.15	0.000	0.006
A2	1.25	1.52	0.049	0.060
b	0.33	0.51	0.013	0.020
C	5.80	6.20	0.228	0.244
D	4.80	5.00	0.189	0.197
D1	3.15	3.45	0.124	0.136
E	3.80	4.00	0.150	0.157
E1	2.26	2.56	0.089	0.101
e	1.27 BSC		0.050 BSC	
H	0.19	0.25	0.0075	0.0098
L	0.41	1.27	0.016	0.050
$\theta$	0°	8°	0°	8°