



## Voltage Detectors, ME2803 Series

### General Description

ME2803 Series are highly precise, low power consumption voltage detectors, manufactured using CMOS technologies. Detect voltage is extremely accurate with minimal temperature drift. CMOS output configurations are available.

### Features

- Highly accuracy:  $\pm 1\%$  ( $-V_{DET}=1.5V$  above)
- Low power consumption:  
TYP 0.7 $\mu$ A ( $V_{IN}=3.5V, -V_{DET}=2.0V$ )
- Detect voltage range : 1.0V~6.5V in 0.1V increments
- Operating voltage range: 0.7V~7V
- Detect voltage temperature characteristics:  
TYP $\pm 100$ ppm/ $^{\circ}$ C
- Output configuration: CMOS

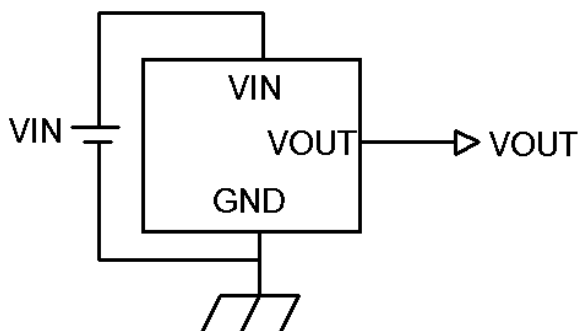
### Typical Application

- Microprocessor reset circuitry
- Memory battery back-up circuits
- Power-on reset circuits
- Power failure detection

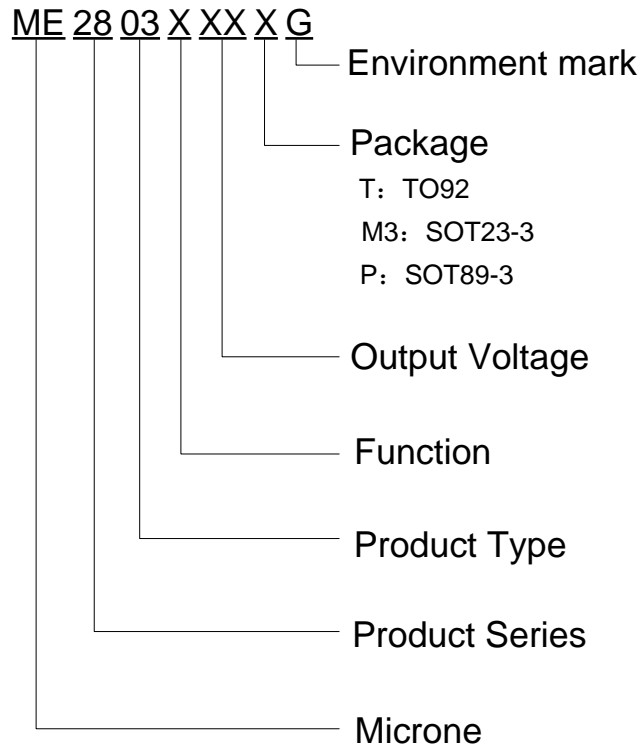
### Packages

- 3-pin SOT23-3、SOT89-3、TO-92

### Typical Application Circuit



## Selection Guide

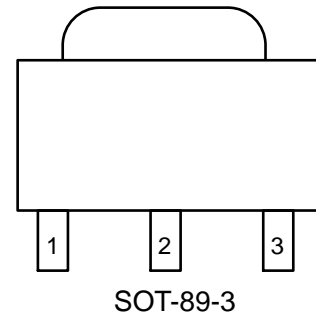
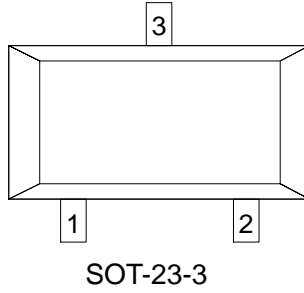
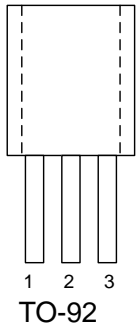


product series	product description
ME2803A10M3G	V <sub>OUT</sub> =1.0V; Rising edge detection; Package: SOT23-3
ME2803A A33M3G	V <sub>OUT</sub> =3.3V; Rising edge detection; Package: SOT23-3

### NOTE:

1. At present, there are seventeen kinds of voltage value:  
1.0V、1.1V、1.4V、1.6V、1.8V、1.9V、2.2V、2.5V、2.6V、2.7V、2.8V、3.0V、3.3V、  
3.4V、3.5V、3.8V、4.2V。
2. If you need other voltage and package, please contact our sales staff.

## Pin Configuration

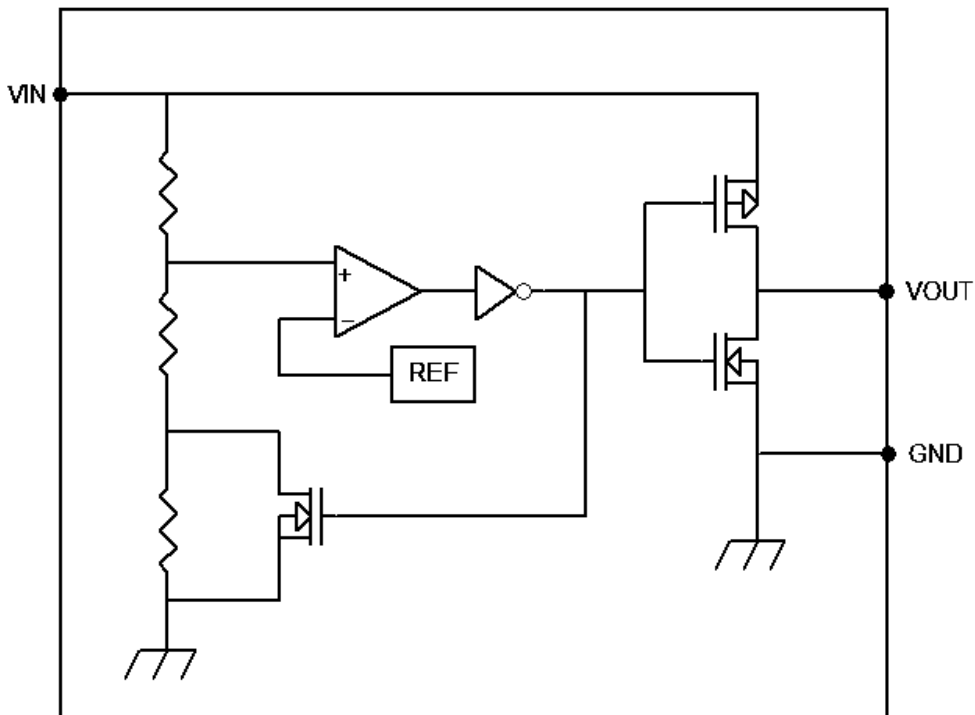


## Pin Assignment

ME2803XX

Pin Number			Pin Name	Functions
SOT-23-3	SOT-89-3	TO-92		
2	3	3	GND	Ground
1	1	1	VOUT	Output Voltage
3	2	2	VIN	Input Voltage

## Block Diagram



## Absolute Maximum Ratings

Parameter	Symbol	Ratings	Units
V <sub>IN</sub> Input Voltage	V <sub>IN</sub>	8	V
Output Current	I <sub>OUT</sub>	50	mA
Output Voltage	V <sub>OUT</sub>	GND-0.3~V <sub>IN</sub> +0.3	V
Continuous Total Power Dissipation	Pd	SOT-23-3	300
		SOT-89-3	500
		TO-92	500
Operating Ambient Temperature	T <sub>Opr</sub>	-40~+85	°C
Storage Temperature	T <sub>stg</sub>	-40~+125	°C
Soldering temperature and time	T <sub>solder</sub>	260°C, 10s	
ESD	MM	400	V
	HBM	4000	V

## Electrical Characteristics

(-V<sub>DET</sub>(S)=1.0V to 6.5V±1% , Ta=25°C , unless otherwise noted)

Parameter	Symbol	Conditions	Min.	Typ	Max.	Units
Detect Voltage	-VDET	-VDET (S) ≤ 1.5V	-VDET (S) x0.98	-VDET(S)	-VDET(S) x1.02	V
		-VDET (S) > 1.5V	-VDET (S) x0.99	-VDET(S)	-VDET(S) x1.01	
Hysteresis Range	VHYS	-	0.03	0.06	0.1	V
Supply Current	ISS	VIN=2V (1.0V-1.5V)	-	0.7	1	uA
		VIN =3.5V (1.6V-2.0V)	-	0.7	1	
		VIN=4.5V (2.1V-3.9V)	-	1.2	2	
		VIN =6V (4.0V-5.6V)	-	1.1	2	
		VIN=7V (5.7V-6.5V)	-	1.0	2	
Output Current	I <sub>out</sub> N-ch	VDS=0.5V VIN =0.7V	0.01	0.14	--	mA
	I <sub>out</sub> P-ch	VDS=0.5V VIN =7V	1.7	3.4	--	mA
Operating voltage	VIN	-	0.7	-	7	V
Responding time	tpLH				60	us
Temperature characteristics	$\frac{\Delta - VDET}{\Delta Ta \cdot -VDET}$	ΔTa =-40°C ~ 85°C	-	±100	±350	ppm/°C

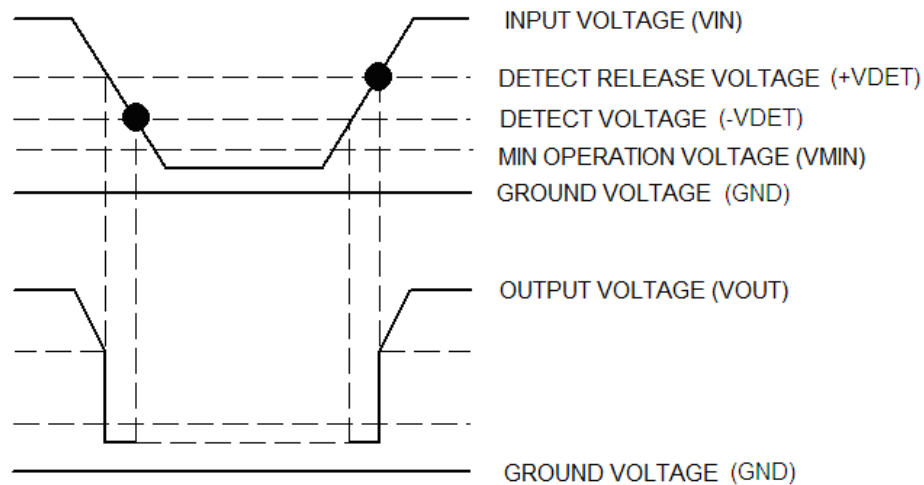
- Note: 1、-VDET(S) : Specified Detection Voltage value  
 2、-VDET : Actual Detection Voltage value  
 3、Release Voltage: +VDET=-VDET+VHYS

## Functional Description:

- 1、 When input voltage ( $V_{IN}$ ) rises above detect voltage ( $-V_{DET}$ ), output voltage ( $V_{OUT}$ ) will be equal to  $V_{IN}$ .
- 2、 When input voltage ( $V_{IN}$ ) falls below detect voltage ( $-V_{DET}$ ), output voltage ( $V_{OUT}$ ) will be equal to the ground voltage (GND) level.
- 3、 When input voltage ( $V_{IN}$ ) falls to a level below that of the minimum operating voltage ( $V_{MIN}$ ), output will become unstable. In this condition,  $V_{IN}$  will equal the pulled-up output (should output be pulled-up.)
- 4、 When input voltage ( $V_{IN}$ ) rises above the ground voltage (GND) level, output will be unstable at levels below the minimum operating voltage ( $V_{MIN}$ ). Between the  $V_{MIN}$  and detect release voltage  $+V_{DET}$  levels, the ground voltage (GND) level will be maintained.
- 5、 When input voltage ( $V_{IN}$ ) rises above detect release voltage ( $+V_{DET}$ ), output voltage ( $V_{OUT}$ ) will be equal to  $V_{IN}$ .
- 6、 The difference between  $+V_{DET}$  and  $-V_{DET}$  represents the hysteresis range.

## Timing Chart

### ME2803XX:



## Directions for use

- 1、 Please use this IC within the stated maximum ratings. Operation beyond these limits may cause degrading or permanent damage to the device.
- 2、 When a resistor is connected between the  $V_{IN}$  pin and the input with CMOS output configurations, oscillation may occur as a result of voltage drops at  $R_{IN}$  if load current ( $I_{OUT}$ ) exists. (refer to the Oscillation Description(1) below)
- 3、 When a resistor is connected between the  $V_{IN}$  pin and the input with CMOS output configurations, oscillation may occur as a result of through current at the time of voltage release even if load current ( $I_{OUT}$ ) does not exist. (refer to the Oscillation Description(2) below)
- 4、 With a resistor connected between the  $V_{IN}$  and the input, detect and release voltage will rise as a result of the IC's supply current flowing through the  $V_{IN}$  pin.

- 
- 5、 In order to stabilize the IC's operations, please ensure that  $V_{IN}$  pin's input frequency's rise and fall times are more than several  $\mu$  Sec/V.

## Oscillation Description

- 1、 Output current oscillation with the CMOS output configuration

When the voltage applied at IN rises, release operations commence and the detector's output voltage increase. Load current ( $I_{OUT}$ ) will flow at  $R_L$ . Because a voltage drop ( $R_{IN} * I_{OUT}$ ) is produces at the  $R_{IN}$  resistor, located between the input (IN) and the  $V_{IN}$  pin. The load current will flow via the IC's pin. The voltage drop will also lead to a fall in the voltage level at the  $V_{IN}$  pin. When the  $V_{IN}$  pin voltage level falls below the detect voltage level, detect operations will commence. Following detect operations, load current flow will cease and since voltage drop at  $R_{IN}$  will disapper, the voltage level at the  $V_{IN}$  pin will rise and release operations will begin over again. Oscillation may occur with this "release-detect-release" repetition. Further, this condition will also appear via means of a similar mechanism during detect operations.

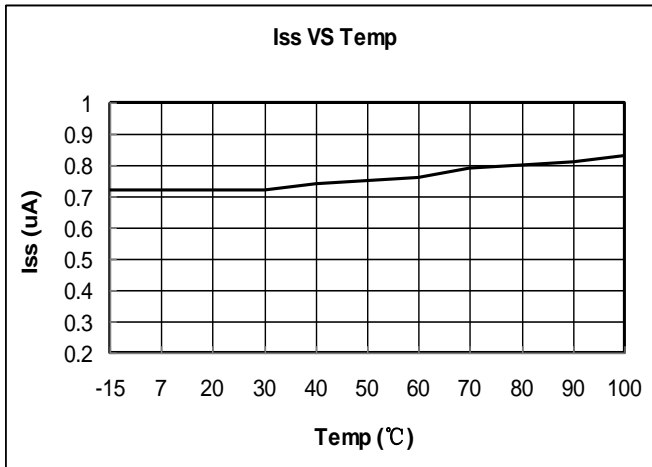
- 2、 Oscillation as a result of through current

Since the ME2803 series are CMOS IC's, through current will flow when the IC's internal circuit switching operates (during release and detect operations). Consequently, oscillation is liable to occur as a result of drops in voltage at the through current's resistor ( $R_{IN}$ ) during release voltage operations.(refer to diagram 2) since hysteresis exists during detect operations, oscillation is unlikely to occur.

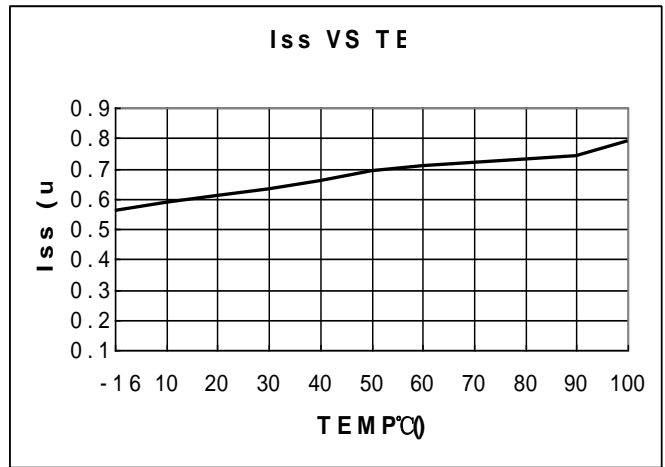
## Type Characteristics

### 1、Supply Current Vs. Ambient Temperature

VIN=2V,-VDET=1.1V

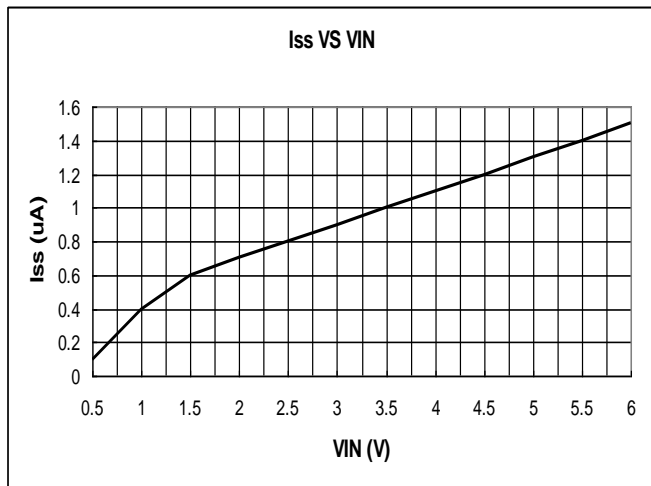


VIN=3V,-VDET=2.2V

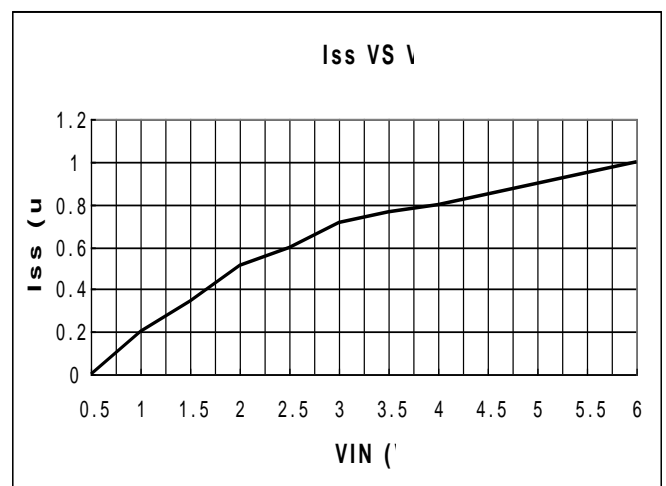


### 2、Supply Current Vs. Input Voltage

-VDET=1.1V (T=25°C)

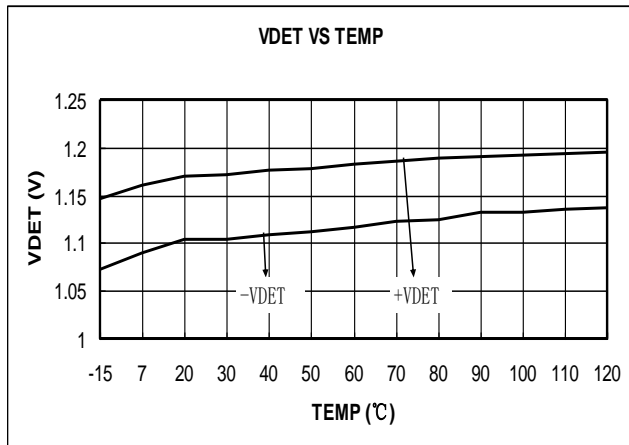


-VDET=2.2V (T=25°C)

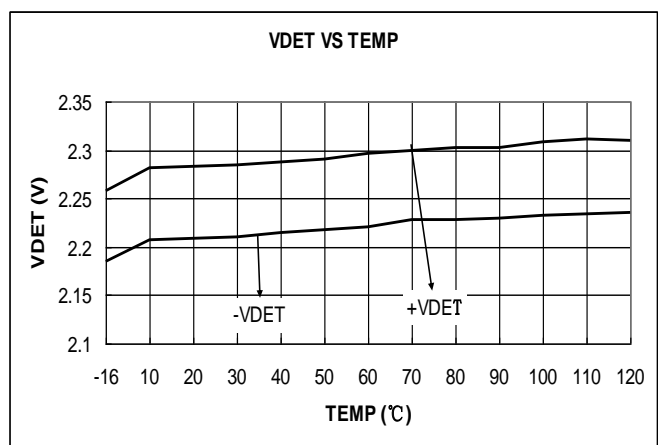


### 3、Detect, Release Voltage Vs. Ambient Temperature

-VDET=1.1V

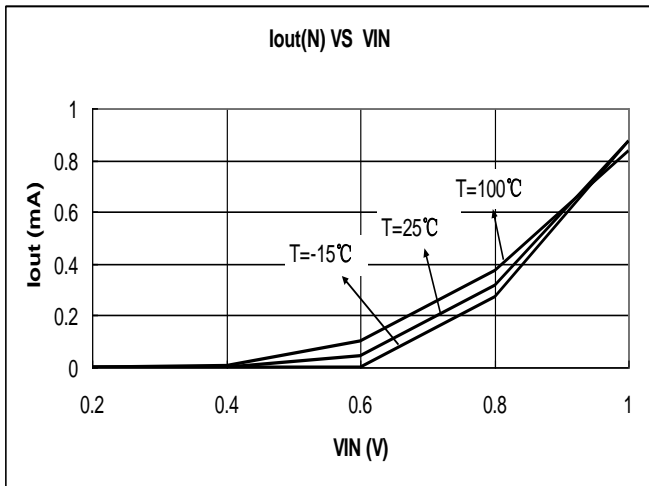


-VDET=2.2V

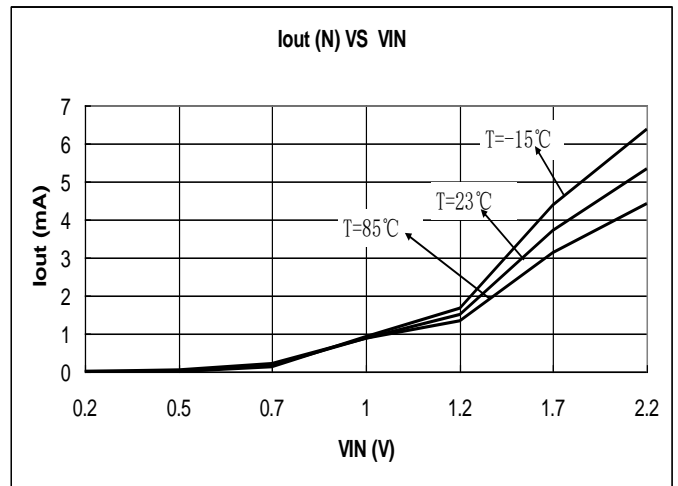


## 4、N-Ch Output Current Vs. Input Voltage

VDS=0.5V, -VDET=1.1V

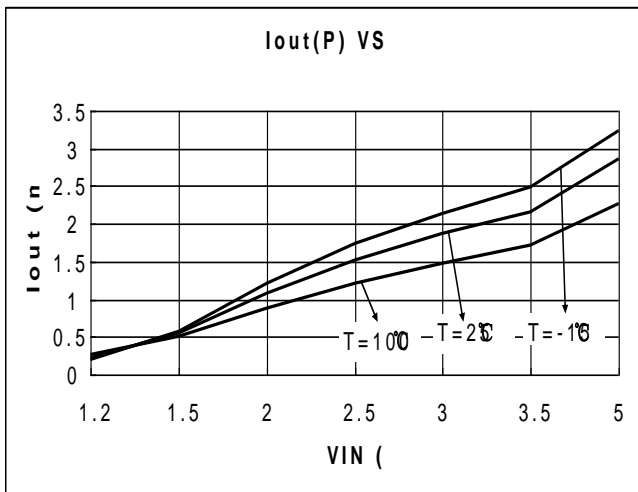


VDS=0.5V, -VDET=2.2V

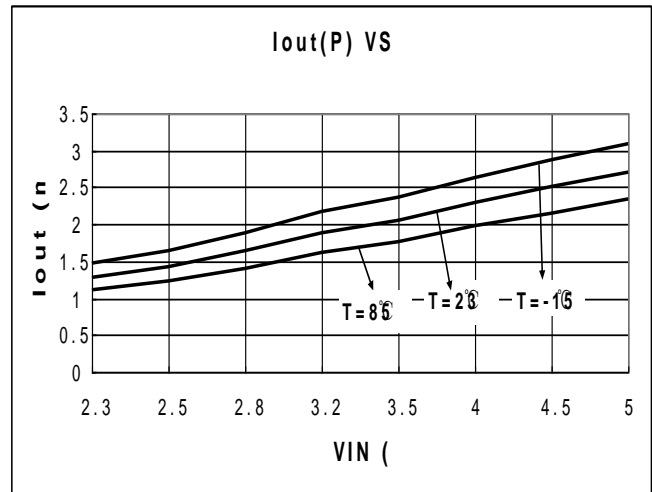


## 5、P-Ch Output Current Vs. Input Voltage

VDS=0.5V, -VDET=1.1V



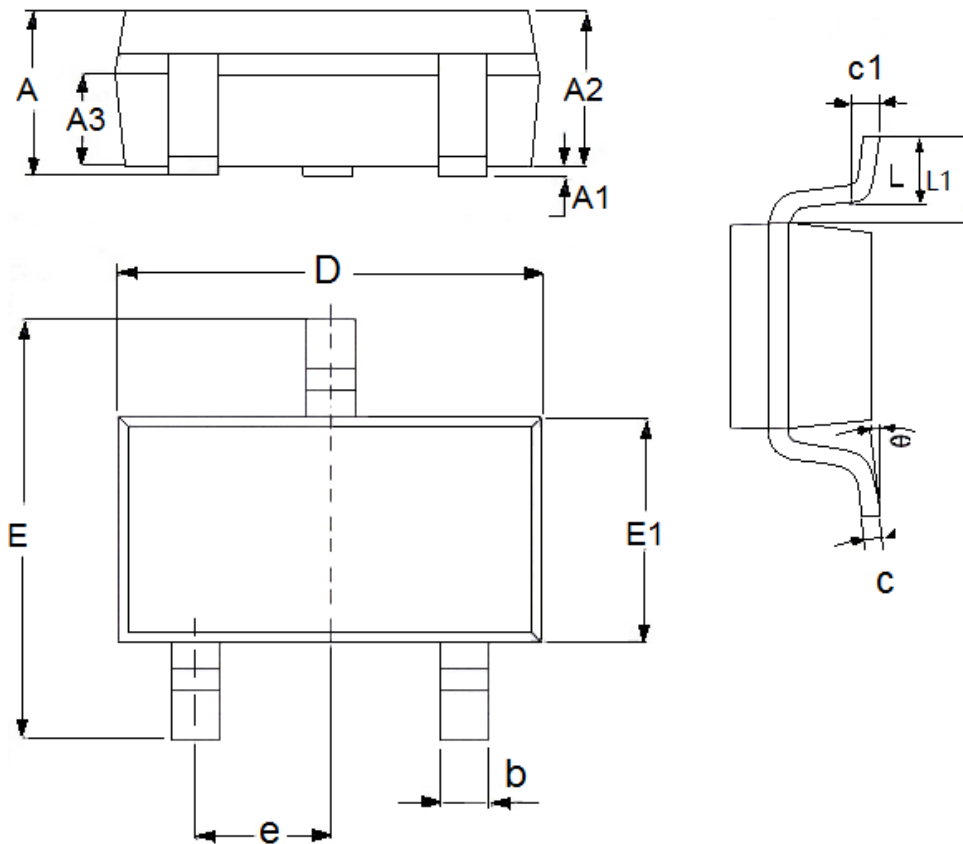
VDS=0.5V, -VDET=2.2V





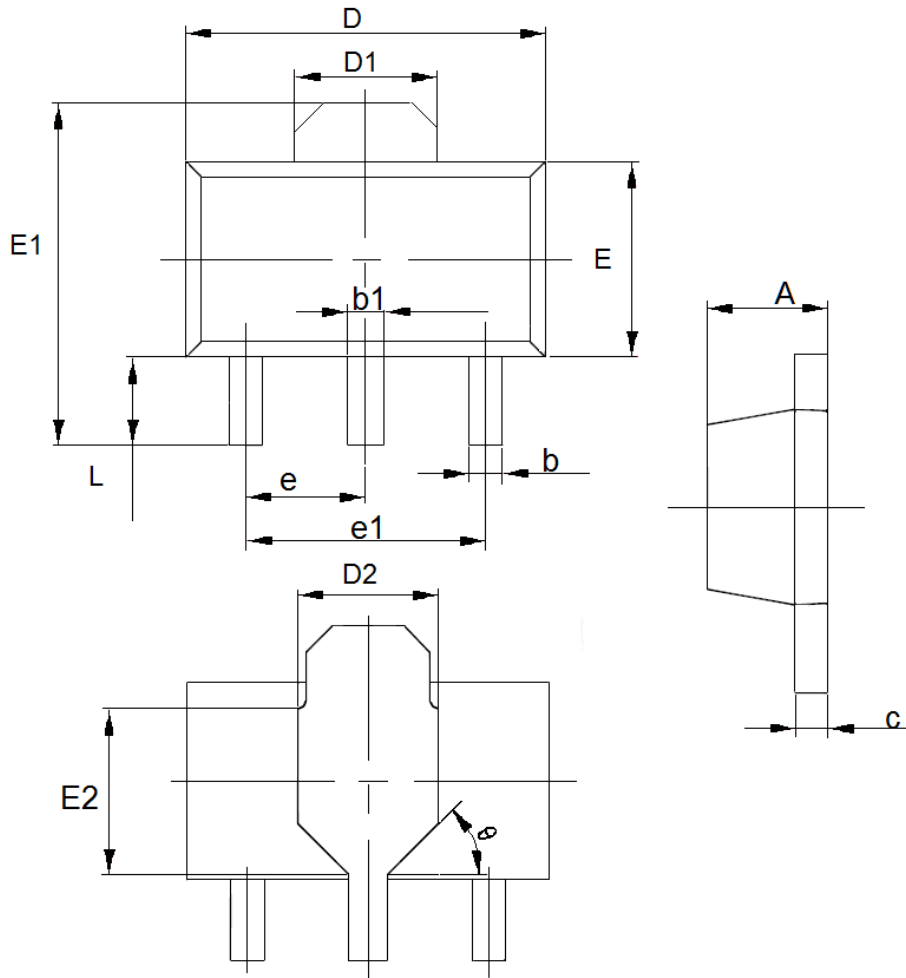
## Packaging Information

● Package Type: SOT23-3



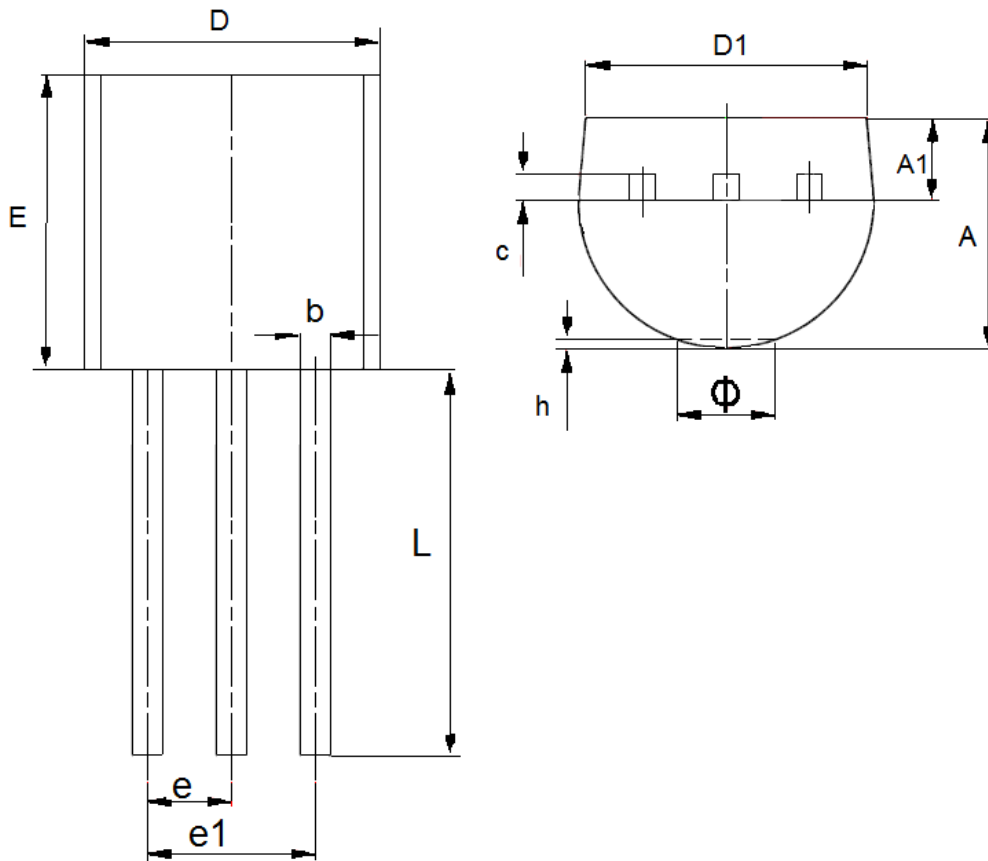
DIM	Millimeters		Inches	
	Min	Max	Min	Max
A	1.05	1.45	0.0413	0.0571
A1	0	0.15	0.0000	0.0059
A2	0.9	1.3	0.0354	0.0512
A3	0.6	0.7	0.0236	0.0276
b	0.25	0.5	0.0098	0.0197
c	0.1	0.25	0.0039	0.0098
D	2.8	3.1	0.1102	0.1220
E	2.6	3.1	0.1023	0.1220
E1	1.5	1.8	0.0591	0.0709
e	0.95(TYP)		0.0374(TYP)	
L	0.25	0.6	0.0098	0.0236
L1	0.59(TYP)		0.0232(TYP)	
θ	0	8°	0.0000	8°
c1	0.2(TYP)		0.0079(TYP)	

● Package Type: SOT89-3



DIM	Millimeters		Inches	
	Min	Max	Min	Max
A	1.4	1.6	0.0551	0.0630
b	0.32	0.52	0.0126	0.0205
b1	0.4	0.58	0.0157	0.0228
c	0.35	0.45	0.0138	0.0177
D	4.4	4.6	0.1732	0.1811
D1	1.55(TYP)		0.061(TYP)	
D2	1.75(TYP)		0.0689(TYP)	
e1	3.0(TYP)		0.1181(TYP)	
E	2.3	2.6	0.0906	0.1023
E1	3.94	4.4	0.1551	0.1732
E2	1.9(TYP)		0.0748(TYP)	
e	1.5(TYP)		0.0591(TYP)	
L	0.8	1.2	0.0315	0.0472
$\theta$	45°		45°	

● Package Type: TO-92



DIM	Millimeters		Inches	
	Min	Max	Min	Max
A	3.3	3.7	0.1299	0.1457
A1	1.1	1.4	0.0433	0.0551
b	0.38	0.55	0.015	0.0217
c	0.36	0.51	0.0142	0.0201
D	4.3	4.7	0.1693	0.185
D1	3.43	—	0.135	—
E	4.3	4.7	0.1693	0.185
e	1.27TYP		0.05TYP	
e1	2.44	2.64	0.0961	0.1039
L	14.1	14.5	0.5551	0.5709
h	0	0.38	0	0.015
Φ	—	1.6	—	0.063

- The information described herein is subject to change without notice.
- Nanjing Micro One Electronics Inc is not responsible for any problems caused by circuits or diagrams described herein whose related industrial properties, patents, or other rights belong to third parties. The application circuit examples explain typical applications of the products, and do not guarantee the success of any specific mass-production design.
- Use of the information described herein for other purposes and/or reproduction or copying without the express permission of Nanjing Micro One Electronics Inc is strictly prohibited.
- The products described herein cannot be used as part of any device or equipment affecting the human body, such as exercise equipment, medical equipment, security systems, gas equipment, or any apparatus installed in airplanes and other vehicles, without prior written permission of Nanjing Micro One Electronics Inc.
- Although Nanjing Micro One Electronics Inc exerts the greatest possible effort to ensure high quality and reliability, the failure or malfunction of semiconductor products may occur. The user of these products should therefore give thorough consideration to safety design, including redundancy, fire-prevention measures, and malfunction prevention, to prevent any accidents, fires, or community damage that may ensue.