

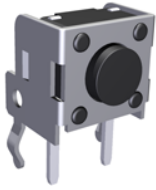
SWITCHES

Operation: DIP/卧式 中型 轻触开关 [柄长可定制]



LTEM NO.: TS-1102N-*** (Series)

(L6.0×W6.0 TACT-SWITCH)



表面插装 DIP

側向操作 LATERAL

精密部品 NICETY

可靠 STABILIZE

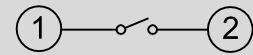
適合環保 RoHS

Technical parameter

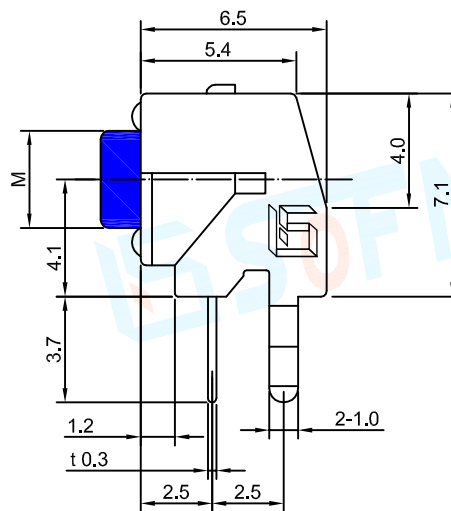
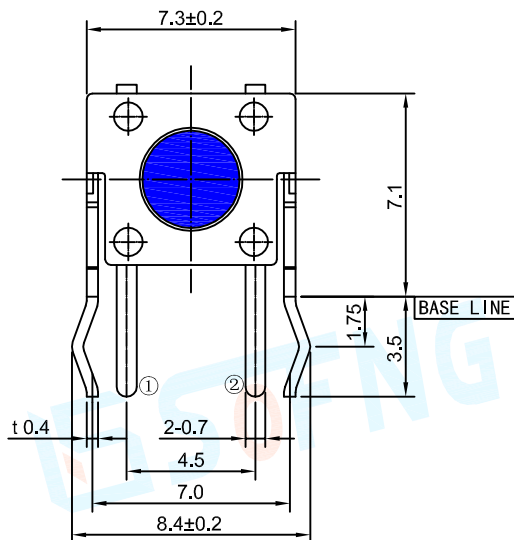
PROJECT	LEVEL	A[better product]		B[average product]	
Electrical	Contact Rating	25mA, 24V DC			
	Initial Contact Resistance	50mΩ max.			
Properties	Insulation Resistance	100MΩ min.500V DC	Skey/PD: 100MΩ min.300V DC		
	Withstand Voltage	500V AC for 1 minute	350 V AC for 1 minut		
Durable Performance	There No Load	115,000 Cycles	100,000 Cycles		
	Rated Load	100,000 Cycles	850,000 Cycles		
	Storage temp.	-40℃~+85℃(Operating Temp:)			
	Operating Force	1.6 / 2.6N. (1N.=100gram-force)			
	Heat Rrsistance	IR Reflow:255℃, 5sec. Manual :350℃, 3sec.			

Material declaration		
No.	NAME	Description
① A	拨柄	PA6T (Black)热塑性
② B	基座	PA6T (Black)热塑性
③ C	盖板	不锈钢 Q235-A
④ D	簧片	镀银&磷青铜 C5191/不锈钢 SUS304
⑤ E	嵌件	镀银&C5191R-H 磷青铜[镀锡]

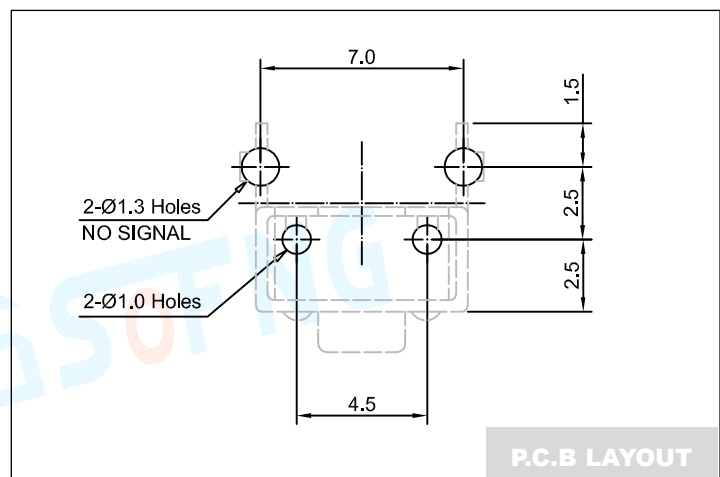
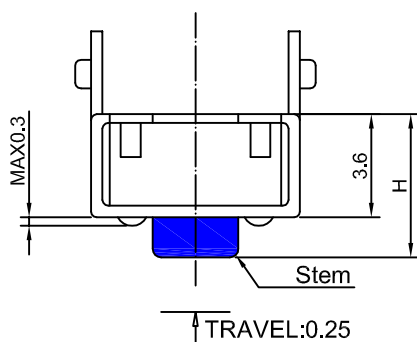
CIRCUIT DIAGRAM



Unit:mm



H	M
4.3	3.5
5.0	3.5
5.5	3.5
6.0	3.4
6.5	3.4
7.0	3.3
~9.5	3.3
10.0	3.0
~16.0	3.0



P.C.B LAYOUT

