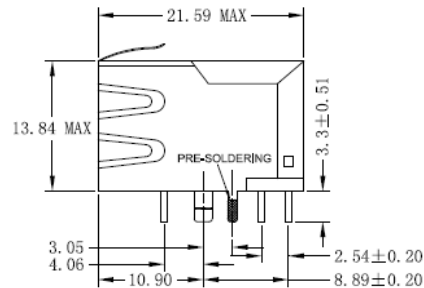
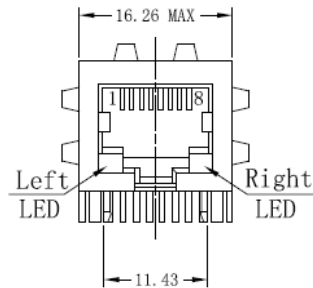
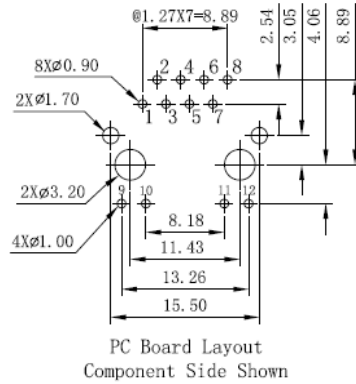
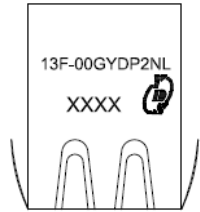


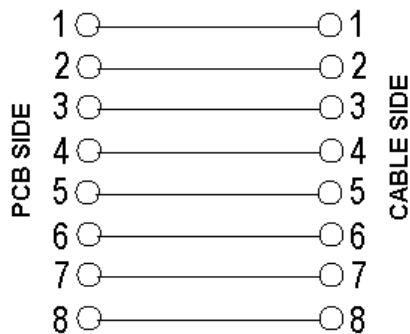
REV.	DESCRIPTION	DATE	DWN	AP'PD
0		10.5.19	Hu	Li
1.0	Correct Housing	16.2.16	Huang	Hsu

## 一、Mechanical Dimensions



UNIT:mm Unless otherwise specified, all tolerances are  $\pm 0.25$

## 二、Schematics



Standard LED	Wavelength	Forward*V(MAX)	TYP
Green	565nm	2.5v	2.2v
Yellow	585nm	2.5v	2.1v

With a forward current of 20mA

## 三、ELECTRICAL SPECIFICATIONS@25°C:

### ELECTRICAL:

- VOLTAGE RATING:**125 VAC RMS.
- CURRENT RATING:**1.5 AMP.
- CONTACT RESISTANCE:**45 MILLIOHMS MAX.
- INSULATION RESISTANCE:**1000 MEGOHMS MIN@500 VDC.
- DIELECTRIC STRENGTH:**500 VAC RMS 60Hz,1MIN.

### MECHANICAL:

- HOUSING MATERIAL:** NYLON 66 UL94V-0.
- CONTACT MATERIAL:**PHOSPHOR BRONZE t=0.35mm.
- PLATING:**GOLD PLATING OVER NICKEL.
- OPERATING LIFE:**750 CYCLES MIN.
- PCB RETENTION PRE-SOLDER:**1 LB MIN.
- PCB RETENTION POST-SOLDER:**10 LBS MIN.

### ENVIRONMENTAL:

- STORAGE:**-40°C TO +85°C.
- OPERATION:**-40°C TO +85°C.

RoHS compliance: YES

	 元册科技股份有限公司 YUAN DEAN SCIENTIFIC CO., LTD.			
	TITLE	10/100 BASE-T SINGLE PORT RJ-45 JACK MAGNETICS		
	P/N	13F-00GYDPXNL	REV.	1.0
	PAGE NO	1-4	DATE	2016-2-16
	AP'PD	Hsu	DWN	Huang Cuili

## 四、Mechanicals

### Housing Material:

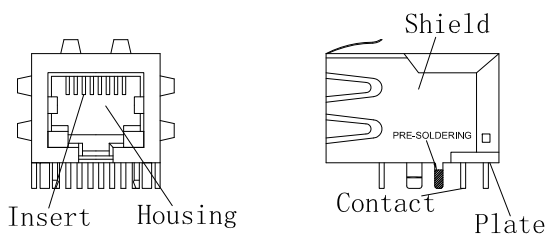
MATERIAL:NYLON 66 UL94V-0 STANDARD COLOR:BLACK

### Insert Material:

MATERIAL:Phos-Bronze C5210 EH---0.35mm Thickness

Insert -PBT GF UL94V-0

- 1.PLATING(1) NICKEL
- 2.PLATING(2) 100%Sn
- 3.PLATING(3) GOLD (3u " ~50u " )



### Plate Material:

PBT GF UL 94V-0

### Contact pin Material:

MATERIAL: Phos-Bronze C5191---0.35mm Thickness

- 1.PLATING(1) NICKEL
- 2.PLATING(2) 100%Sn

### Shielding Material:

BRASS C2680 PLATING NICKEL

Operating Life:750 Cycles MIN.

## 五、Environmental

- 1.Storage Temp:-40°C TO +85°C.
- 2.Operating Temp:-40°C TO +85°C
3. MATES WITH MODULAR PLUG CONFORMING TO FCC PART 68,SUBPARTE.

## 六、Part Number

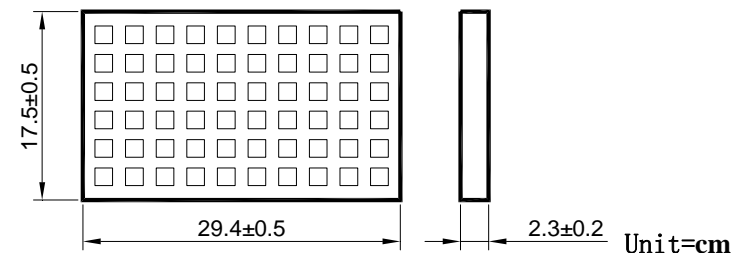
# 13F-00GYDPXNL

RoHS version  
Gold Plating:1=3u",2=6u",3=15u",4=30u",5=50u",

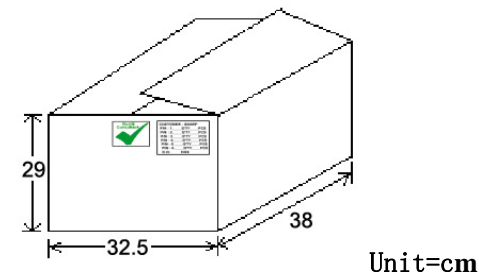
REV.	DESCRIPTION	DATE	DWN	AP'PD

## 七、Packaging

1. packaging unit : 60 PCS/tray
2. packaging material : PET



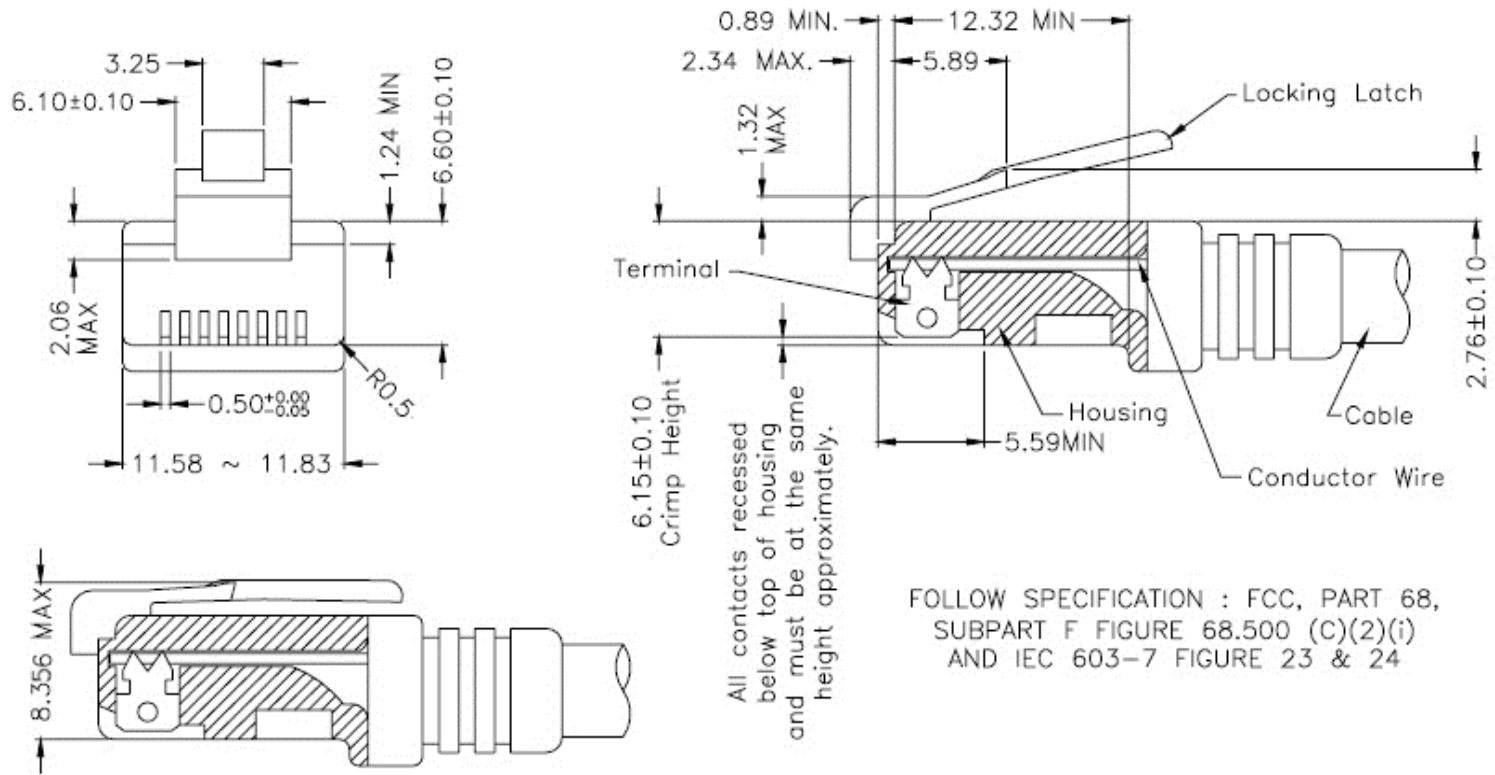
3. outer carton unit: 1320 pcs/ 22 Trays/box



	<b>元册科技股份有限公司</b> YUAN DEAN SCIENTIFIC CO., LTD.			
	TITLE	10/100 BASE-T SINGLE PORT RJ-45 JACK MAGNETICS		
	P/N	13F-00GYDPXNL	REV.	1.0
	PAGE NO	2-4	DATE	2016-2-16
	AP'PD	Hsu	DWN	Huang Cuili

# 八、RJ PLUG SPECIFICATION



REV.	DESCRIPTION	DATE	DWN	AP'PD



FOLLOW SPECIFICATION : FCC, PART 68, SUBPART F  
FIGURE 68.500 (C)(2)(ii)

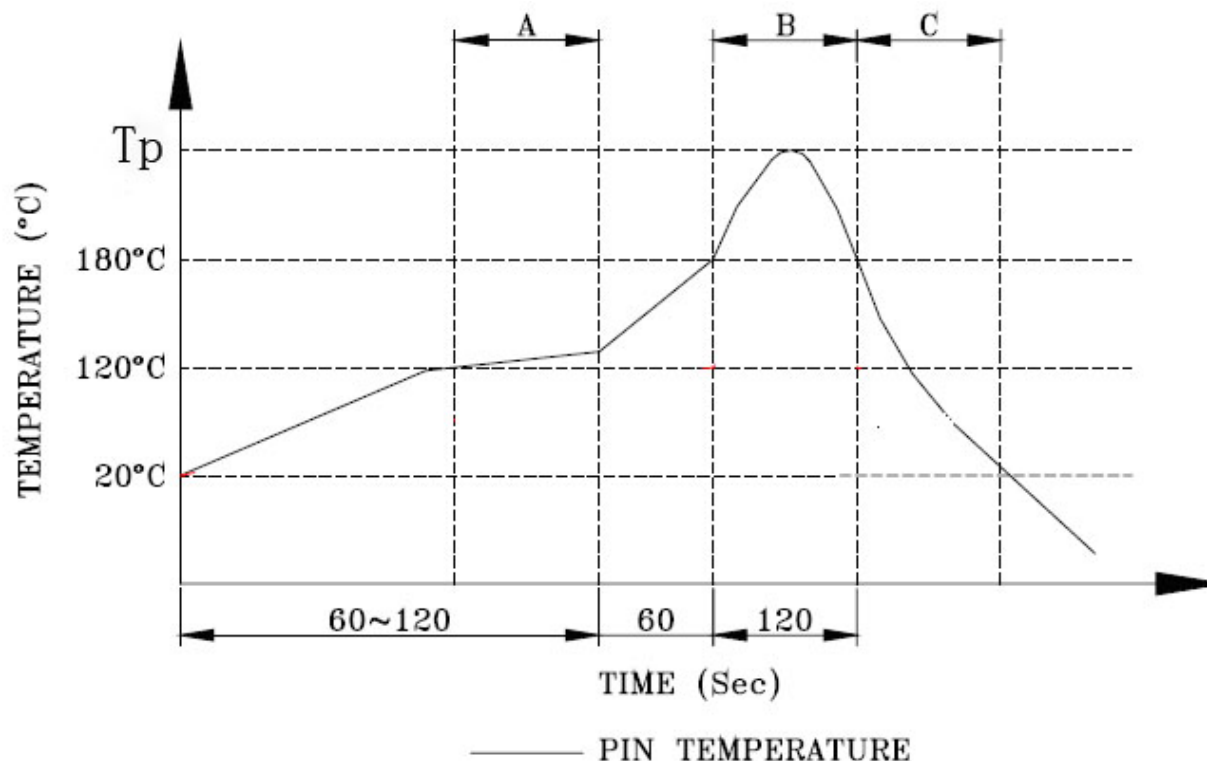
FOLLOW SPECIFICATION : FCC, PART 68,  
SUBPART F FIGURE 68.500 (C)(2)(i)  
AND IEC 603-7 FIGURE 23 & 24

STANDARD MODULAR PLUG ASSEMBLY

 <p>RoHS Compliant</p>	 <p>元册科技股份有限公司 YUAN DEAN SCIENTIFIC CO., LTD.</p>	
	<p><b>TITLE</b> 10/100 BASE-T SINGLE PORT RJ-45 JACK MAGNETICS</p>	
	<p><b>P/N</b> 13F-00GYDPXNL</p>	<p><b>REV.</b> 1.0</p>
	<p><b>PAGE NO</b> 3-4</p>	<p><b>DATE</b> 2016-2-16</p>
	<p><b>AP'PD</b> Hsu</p>	<p><b>DWN</b> Huang Cuili</p>

# 九、PROFILE OF WAVE SOLDER

REV.	DESCRIPTION	DATE	DWN	AP'PD



A. Preheating    B. Soldering    C. Gradual Cooling

## SUGGESTED WAVE SOLDER CURVE

1. Peak temperature( $T_p$ ) :  $250 \pm 10^\circ\text{C}$
2. Peak temperature( $T_p$ ) time : 5sec max



元册科技股份有限公司

YUAN DEAN SCIENTIFIC CO., LTD.

TITLE	10/100 BASE-T SINGLE PORT RJ-45 JACK MAGNETICS		
P/N	13F-00GYDPXNL	REV.	1.0
PAGE NO	4-4	DATE	2016-2-16
AP'PD	Hsu	DWN	Huang Cuili