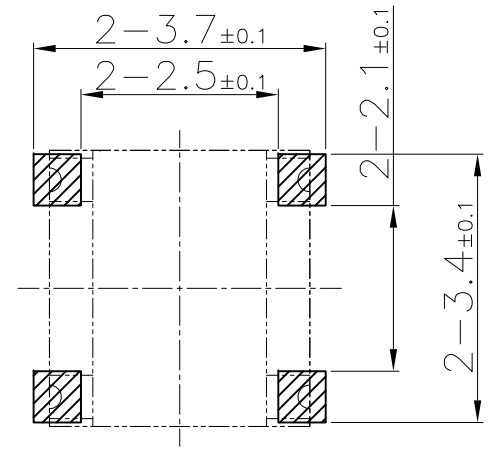
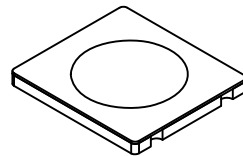
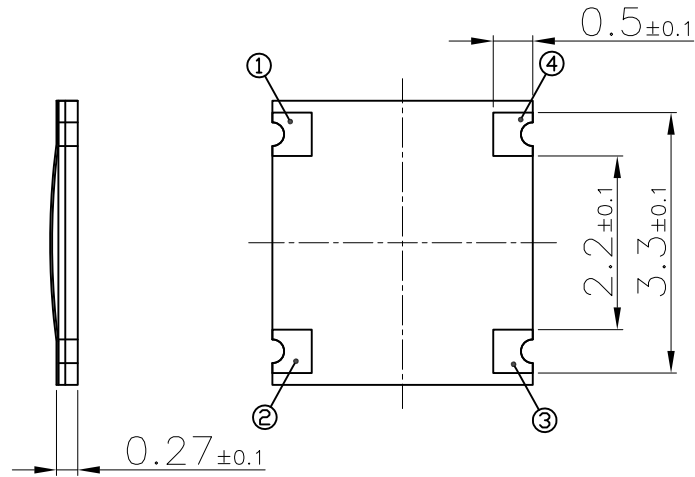
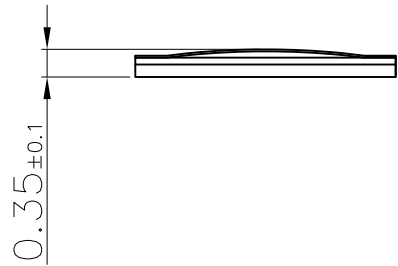
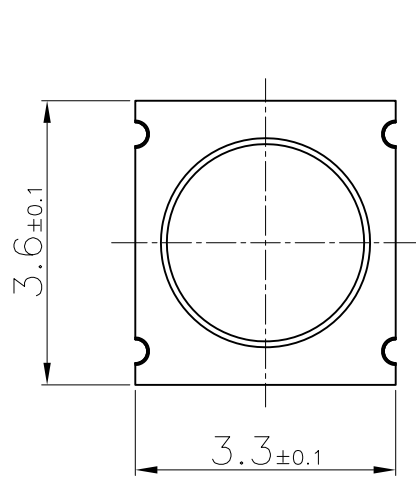
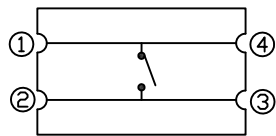
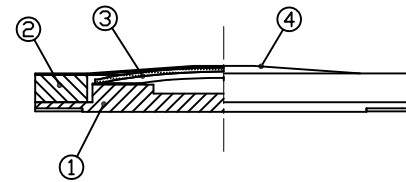


No	Description of Revision	Name	Approve	Date
△				



Recommend Land Pattern



Circuit Diagram

No	ROSWIN Part No	Push force
1	R3336DS35F12S14	1.2N
2	R3336DS35F16S14	1.6N
3	R3336DS35F24S14	2.4N

4	Cover film	1	Polyimide & Epoxy	
3	Metal dome	1	SUS301	
2	Guide film	1	Polyimide & Epoxy	
1	PCB	1	Cu Polyimide & Epoxy	Au+Ni plating
NO	Part Name	Qty	Material	Finish

General Tolerance	
Dimension	mm (°)
X	± 0.2
X.X	± 0.1
X.XX	± 0.05
X.XXX	± 0.01
ANGLE	± 1°



TITLE		R3336DS Series		SHEET No.	
		SMD DOME SWITCH		1 of 1	
Drawn	Design	Check	Review	Approve	
KY.LEE	KY.LEE			KY.LEE	