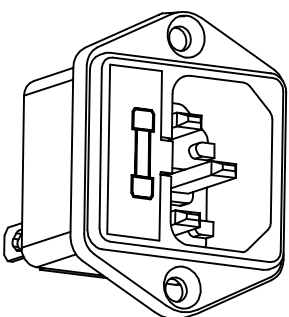
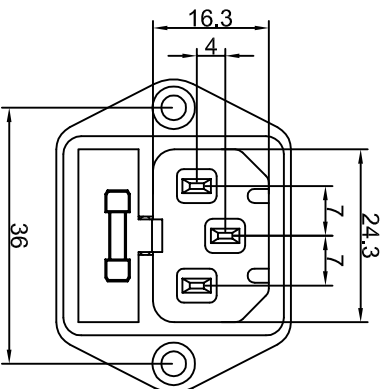




宏聚电子五金制品有限公司


HONGJU ELECTRONIC & METAL PRODUCTS CO.,LTD

S-03F-11-4



Rating: 6.3A 250V AC (UL CUL) 

6.3A 250V AC (VDE)

10A 250V AC (CCC) 

Insulation Resistance: DC 500V 100MΩ Min.

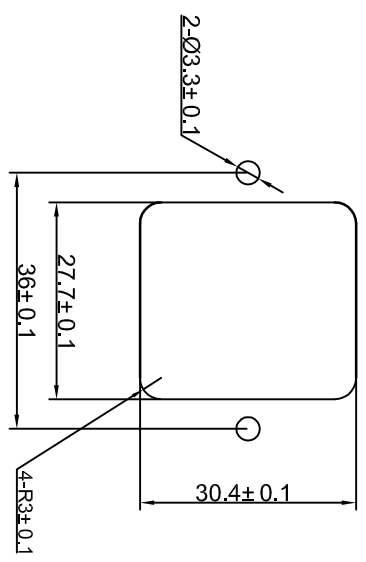
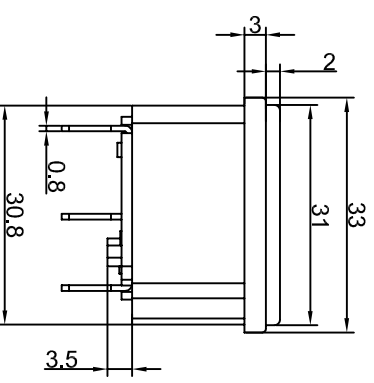
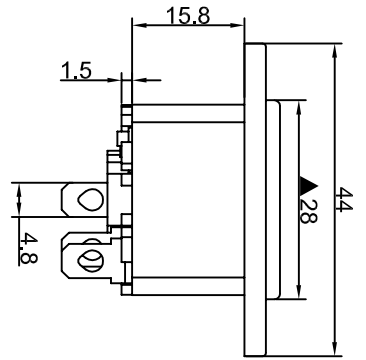
Dielectric Strength: AC2000V 1 minute

Fuse:Ø5.0x20mm 

MATERIAL:

Body:PBT

Terminal:Brass, Silver or Tin plated



CUT-OUT

公差 TOLERANCES		.X±0.3	.XX±0.15	角度 ANGLE ±1°		单位 DIMENSION UNIT	
版本 VERSION		A0	NONE	日期 DATE	2008.07.08	品名 TITLE	mm.
比例尺 SCALE		核对 CHECKED BY	Gokey_Guo	绘图 DRAWN BY	Gokey_Guo	图号 DRAWING NO	
A0		批准 APPROVED BY	Xinchao_Lee	S-03F-11-4		S-03F-11-1_A0	
New Issue		日期 DATE	2008.07.08	变更说明 CHANGE DESCRIPTION		ECN NO.	
变更说明 CHANGE DESCRIPTION		N/A					
版本 VER.							