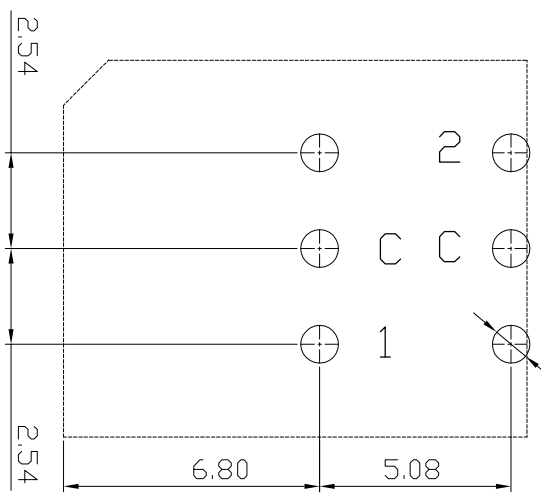
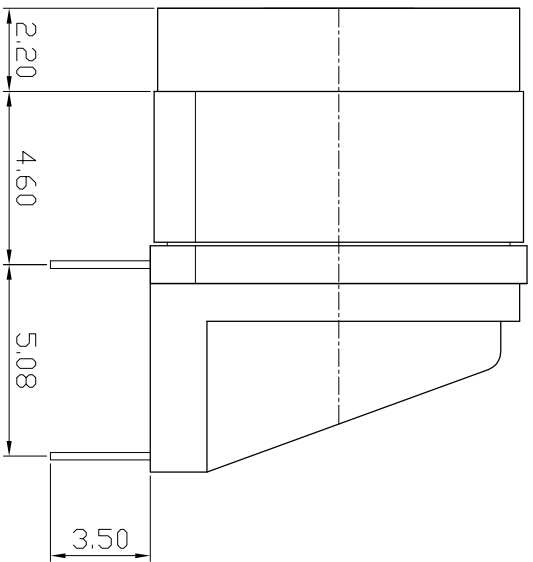
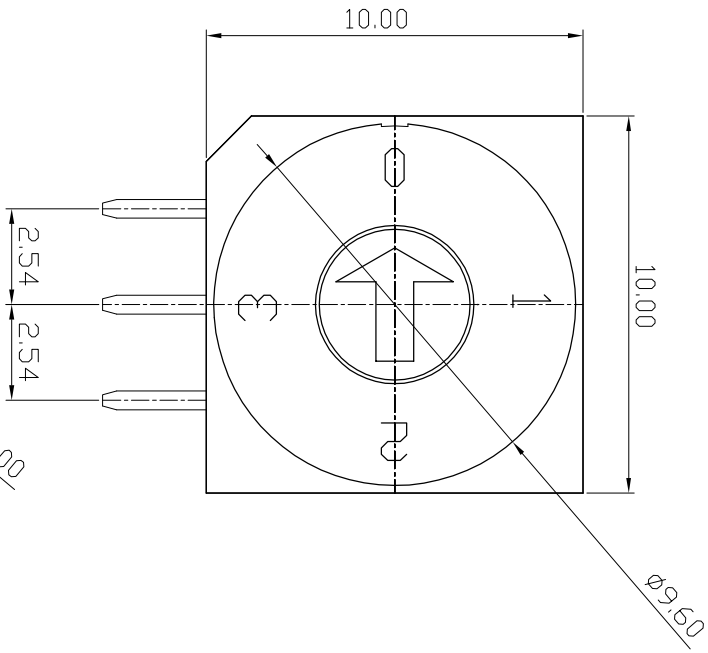


MARK	DATE	REMARKS
△		
△		



**SPECIFICATION**

1. Rating : 150mA, 42V DC (Switching)  
200mA, 42V DC (None-Switching)
2. Contact Resistance : 80mΩ Max
3. Insulation Resistance : 100MΩ Min
4. Operating Force : 700gf Max
5. Life cycle : 10,000 steps

Real Coded			
	C	1	2
04	●		
P	●	●	
o			●
s			
i	●		
t	●		●
t			
i			
o			
n	●	●	●

APPD	CHKD	D'SGD	TITLE	ROTARY DIP SWITCH	
K.L LEE	J.P ROH	J.S SIN	MODEL NO.	TDR-04H	
				REV	A
SUNGJUN ELECTRONICS CO., LTD.					