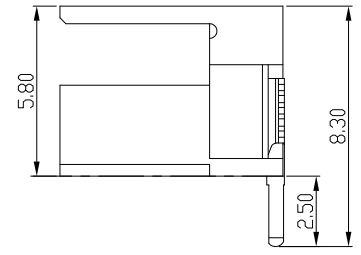
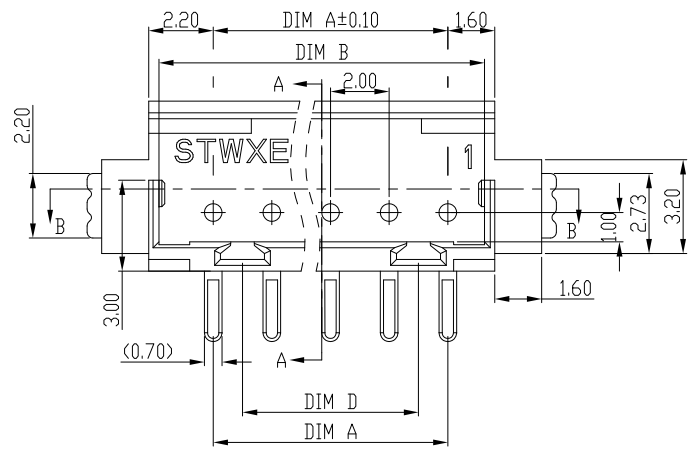


REV.	ECN Number	Description	Drawn
1	CS16110014	RELEASE	2016/11/04
2	E17030016	MODIFY	2017/03/17
③	E17080011	ADD 4PIN DRAWING;STRUCTURAL CHANGE	2018/12/05



Specifications
 Current Rating: 2Amp
 Insulation Resistance: 1000MΩ
 Dielectric Withstanding: 1000V AC
 Contact Resistance: 20mΩ Max
 Operating Temperature: -40° C to +105° C

Materials
 Contact Material: Brass
 Insulation Material: Thermoplastic, UL 94V-0
 Harmful material should comply with the "RoHS2.0" standard
 Product Number Matrix:

AL5Y-XX V K-F

PIN NO. eg:02=2pin

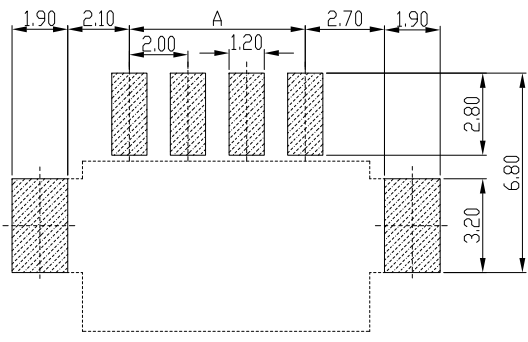
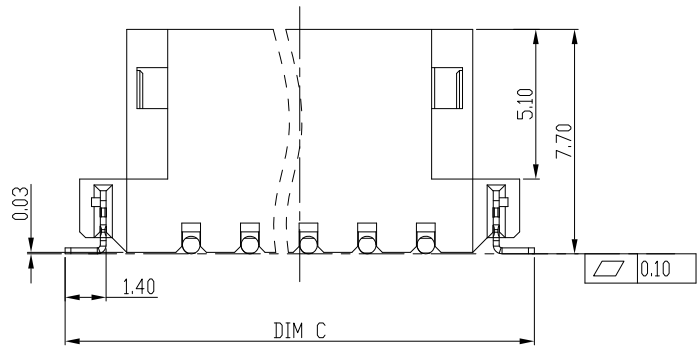
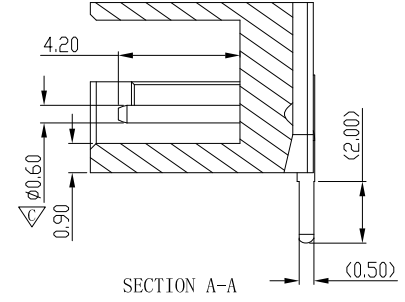
CONTACT PLATING

Definition	Code
⊙ Matte Tin plated	A
⊙ Bright Tin plated	V
⊙ Gold plated	
flash B 1u" R 3u" C	
5u" D 10u" E 15u" F	
20u" G 25u" H 30u" J	
⊙ Duplex plated	
flash K 1u" S 3u" L	
5u" M 10u" N 15u" P	
20u" Q 25u" T 30u" U	
⊙ All plated is lead free.	

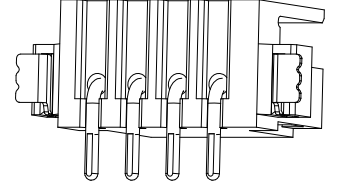
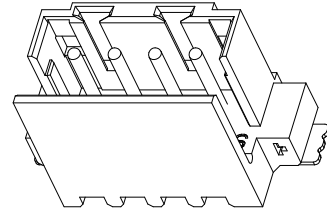
NULL:THERMOPLASTIC PLASTIC
 F:HIGH TEMPERATURE PLASTIC
 H:HALOGEN FREE PLASTIC

PACKING

A:PE	C:REEL+MYLAR
J:BOX	B:REEL+MPAD
G:TUBE	R:REEL+PAD
P:TUBE+PAD	T:TRAY
E:TUBE+MPAD	N:TRAY+MYLAR
F:TUBE+MYLAR	D:TRAY+MPAD
K:REEL	M:TRAY+PAD



RECOMMENDED PCB LAYOUT
 PCB TOLERANCE ±0.05



CKT	DIM A	DIM B	DIM C	DIM D
2	2.00	5.00	10.00	/
3	4.00	7.00	12.00	/
4	6.00	9.00	14.00	4.00
5	8.00	11.00	16.00	6.00
6	10.00	13.00	18.00	8.00
7	12.00	15.00	20.00	10.00
8	14.00	17.00	22.00	12.00
9	16.00	19.00	24.00	14.00
10	18.00	21.00	26.00	16.00



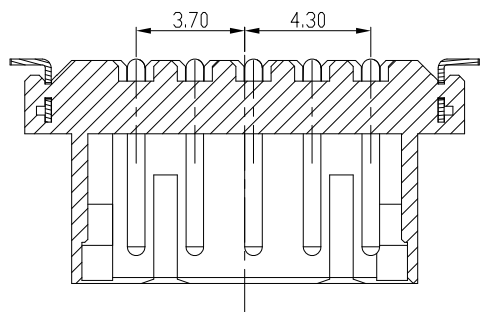
TOLERANCE UNLESS OTHERWISE SPECIFIED

X. X	± 0.30	X. °	± 3°
X. XX	± 0.20	X. X°	± 2°
X. XXX		X. XX°	± 1°

SCALE	4:1	ORIGINAL DRAWN:	ZW	DATE	2018/12/05
UNIT	mm	CHECK:	XPG	DATE	2018/12/05
SIZE	A4	APPROVE:	Ady zhou	DATE	2018/12/05

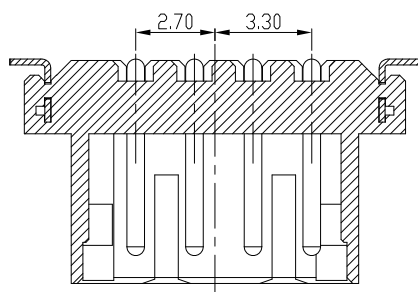
DWG. NO.	600-0000-0161
PARTS NO. (INTENDED USE)	AL5Y-XXVK-F

TITLE	CUSTOMER DRAWING 2. OOPH, WAFER	REV.	3
		SHEET	1/2



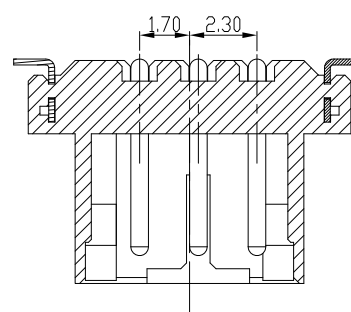
SECTION B-B

5 PIN



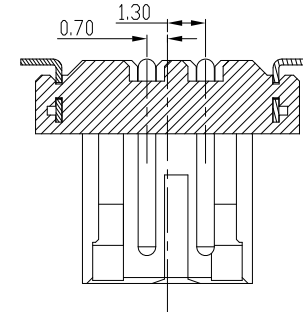
SECTION B-B

4 PIN



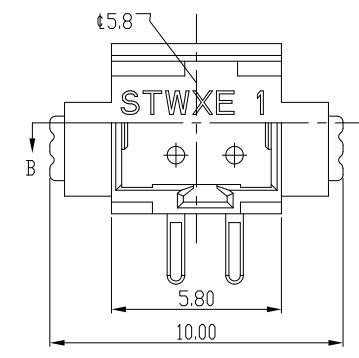
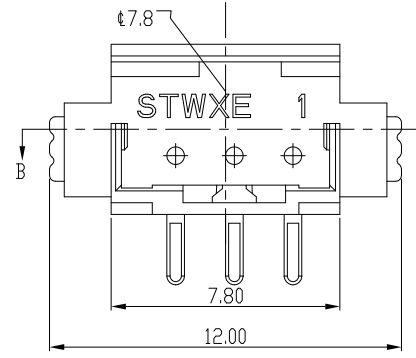
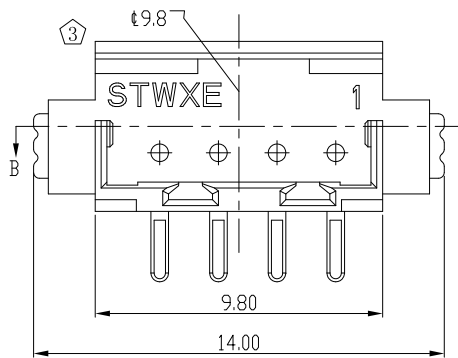
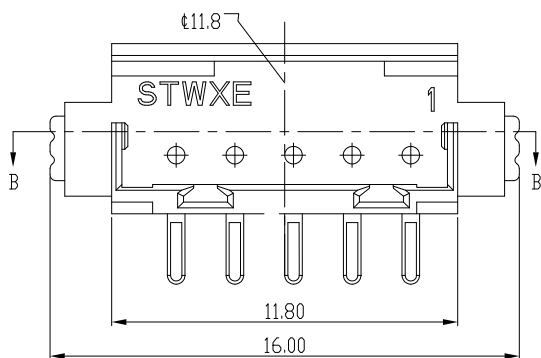
SECTION B-B

3 PIN



SECTION B-B

2 PIN



ShenZhen ShenTai weixiang Electroncs Co.,Ltd

TOLERANCE UNLESS OTHERWISE SPECIFIED

X. X	± 0.30	X. °	± 3°
X. XX	± 0.20	X. X°	± 2°
X. XXX		X. XX°	± 1°

SCALE

4:1

UNIT

mm

SIZE

A4



ORIGINAL DRAWN:
ZW

CHECK:
XPG

APPROVE:
Ady zhou

DATE
2018/12/05

DATE
2018/12/05

DATE
2018/12/05

DWG. NO.

600-0000-0161

PARTS NO. (INTENDED USE)

AL5Y-XXVK-F

TITLE

CUSTOMER DRAWING
2. OOPH, WAFER

REV.

3

SHEET

2/2