

**SPECIFICATIONS**

**Mechanical**

**Plug Mating Force:** 4.50kgf max  
**Plug Unmating Force:** 1.00~4.00kgf  
**Durability:** 10000 Cycles

**Electrical**

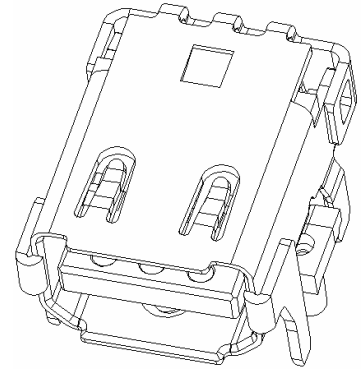
**Current Rating:** 0.50A min  
**Contact Resistance:** 30mΩ max change form initial  
**Dielectric Withstanding Voltage:** 500V AC RMS  
**Insulation Resistance:** Unmated plug: 100MΩ min at 500V DC  
 Mated plug: 10MΩ min at 150V DC

**Physical**

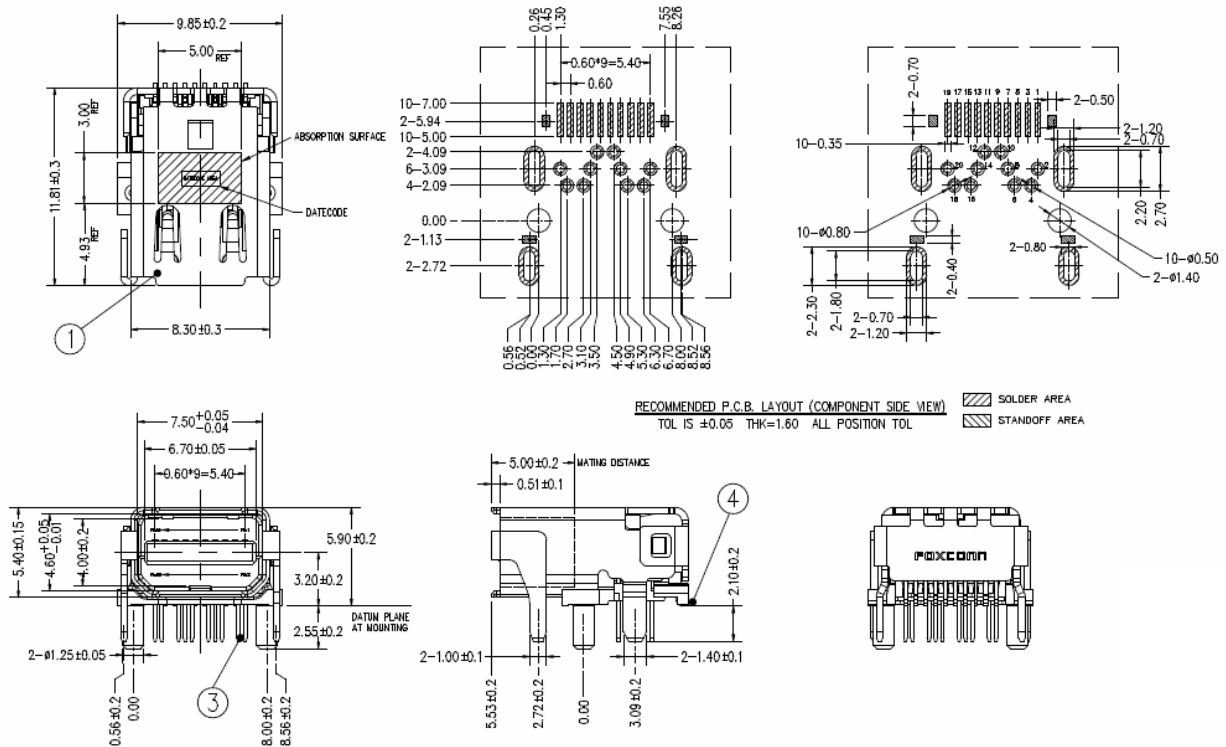
**Plating:** See "ORDERING INFORMATION"  
**Operating Temperature:** -40°C to +85°C

**DisplayPort Connector**

**3VM Series**  
**Mini DisplayPort,**



**DRAWING**



**ORDERING INFORMATION**

PRODUCT NO.: **3VM 1 1 20 \* - D 7 3 0 - \* H**

MINI DISPLAYPORT SERIES: 3VM  
 TERMINATION TYPE: 1: R/A T/H  
 CONNECTOR TYPE: 0: PLUG, 1: RECEPTACLE  
 CONTACT POS.: 20: 20 PIN  
 GOLD PLATING: 1: 1u" GOLD MIN, 3: 30u" GOLD, 7: 15u" GOLD  
 HALOGEN-FREE CODE: \*  
 PACKAGE TYPE: 4: Soft Tray, 7: Tape&Reel  
 EXTENSION CODE: H