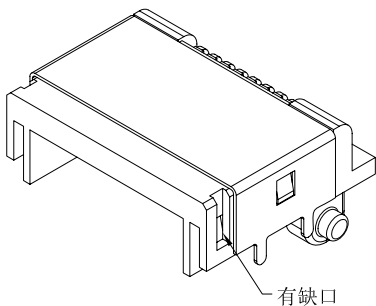
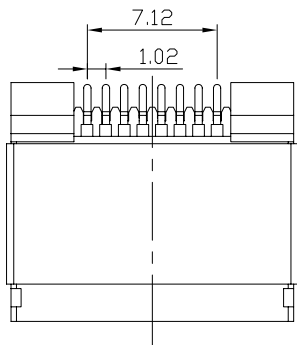


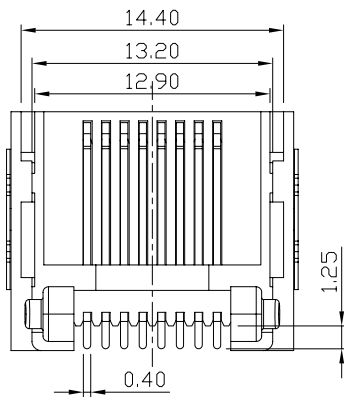
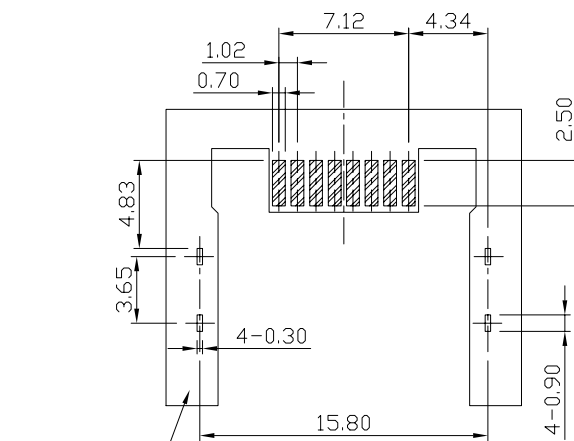
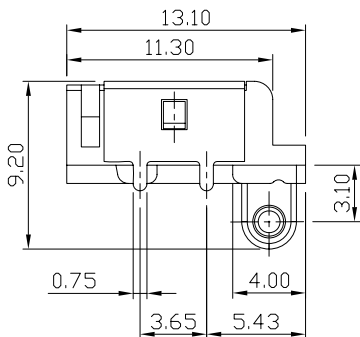
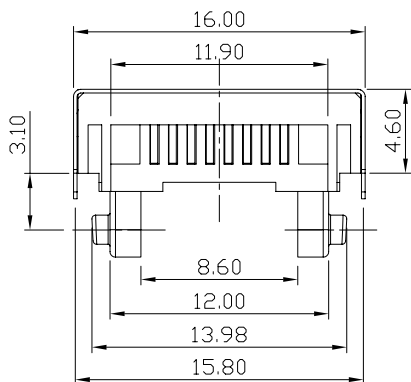
4	3	2	1
CATEGORY	DESCRIPTION	P/N #	
CONNECTOR	RJ45 8P8C 半沉4.6带壳双脚(有缺口)	MJ88-BX11-HLRS1-X	

REV.	ECN NO	DESCRIPTION	REVISED	DATE
A01		New Release	SIMON	2016.12.01
A02		整理图纸	YST	2019.07.01



SPECIFICATION

- VOLTAGE RATING: 150 VAC RMS.
- CURRENT RATING: 1.5 AMP
- CONTACT RESISTANCE: 40 mΩ MAX
- INSULATION RESISTANCE: 500MΩ MIN.
- WITHSTAND VOLTAGE: AC1000V RMS 60s.
- OPERATING TEMPERATURE: -40°C~+80°C



MJ88-BX11-HLRS1-X

Table 1

X	Terminal Plating
0	Au 1u" Plating
1	Au 3u" Plating
2	Au 6u" Plating
3	Au 15u" Plating

X	包装方式
C	卷带包装
P	吸塑盒包装

PCB BOARD
P.C.B LAYOUT
TOLFRANCF +/-0.05

NO.	PART NAME	Q'TY	MATERIAL	PLATING & COLOR	Remark
c	SHELL	1	BRASS T=0.2mm	Ni PALTING	
b	TERMINAL	8	PHOSPHOR BRONZE	Au PALTING	
a	HOUSING	1	LCP UL94V-0	BLACK	

UNLESS OTHERWISE SPECIFIED TOLERANCES		SCALE:1/1	UNIT: mm	DWG.NO:
DECIMALS: X :±0.5 X.X :±0.3 X.XX :±0.2		SIZE: A3	PAGE:1 OF 1	REV:A02
ANGLES: X :±2° X.X :±1°		APPROVED BY	CHECKED BY	PREPARED BY
		DICK	XSY	XSY
CUSTOMER COPY				



東莞市合陵電子有限公司
DongGuan HeLing Electronic Co.,LTD