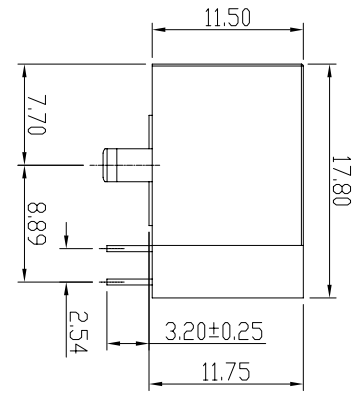
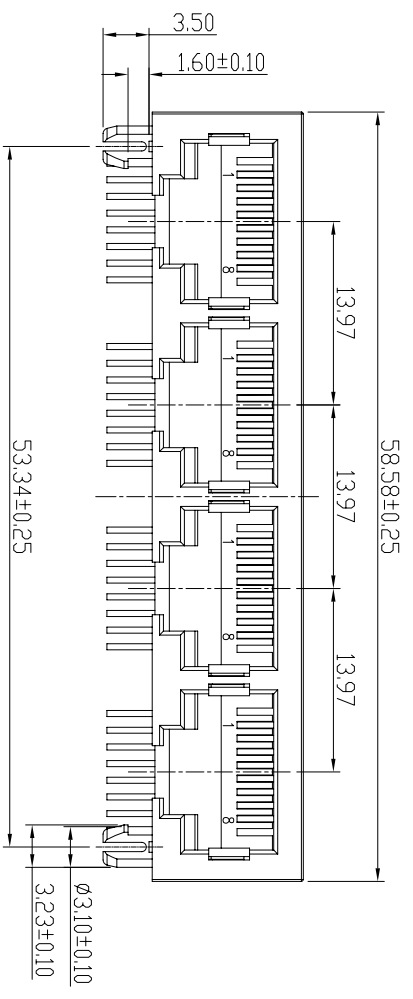
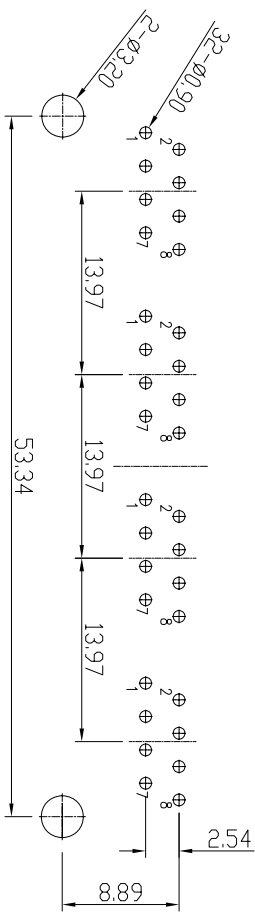
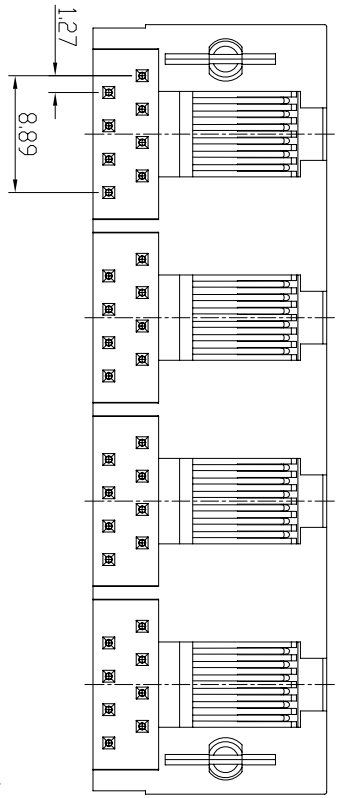


CATEGORY	DESCRIPTION	P/N #	REV.	ECN NO	DESCRIPTION	REVISED	DATE
CONNECTOR	RJ45 8P8C全塑1x4	MJ5608-XX14-HRN2	A01		New Release	Tony	2017.08.01



- SPECIFICATION**
- VOLTAGE RATING: 150 VAC RMS.
  - CURRENT RATING: 1.5 A
  - CONTACT RESISTANCE: 40 mΩ MAX
  - INSULATION RESISTANCE: 500MΩ MIN.
  - WITHSTAND VOLTAGE: AC1000V RMS
  - OPERATURE TEMPERATURE: -40°C~+80°C
  - DURABILITY: 750 MATING CYCLES MIN



MJ5608-XX14-HRN2

TABLE 1

X	PART COLOR
B	BLACK
Y	YELLOW
L	Blue
G	Grey

X	Terminal Plating
0	G/F Plating
1	Au 3u" Plating
2	Au 6u" Plating
3	Au 15u" Plating
4	Au 30u" Plating
5	Au 50u" Plating

Recommend PCB Layout  
(lack Top View)  
Tolerance: ±0.05mm  
Recommend PCB Thickness: 1.6mm

c	TERMINAL	32	PHOSPHOR BRONZE φ0.46	Au PLATING	
b	INSERT	4	PBT UL94V-0	TABLE 1	
a	HOUSING	1	PBT UL94V-0	TABLE 1	
NO.	PART NAME	QTY	MATERIAL	PLATING & COLOR	Remark

UNLESS OTHERWISE SPECIFIED TOLERANCES

DECIMALS:	ANGLES:
X : ±0.5	X : ±2
XX : ±0.3	XX : ±1
XXX : ±0.2	

**东莞市合陵电子有限公司**  
**DongGuan Heling Electronic Co.,LTD**

SCALE: 1/1	UNIT: mm	DWG.NO:
SIZE: A3	PAGE: 1 OF 1	REV: A01
APPROVED BY	CHECKED BY	PREPARED BY
DICK	XSY	XSY

**CUSTOMER COPY**