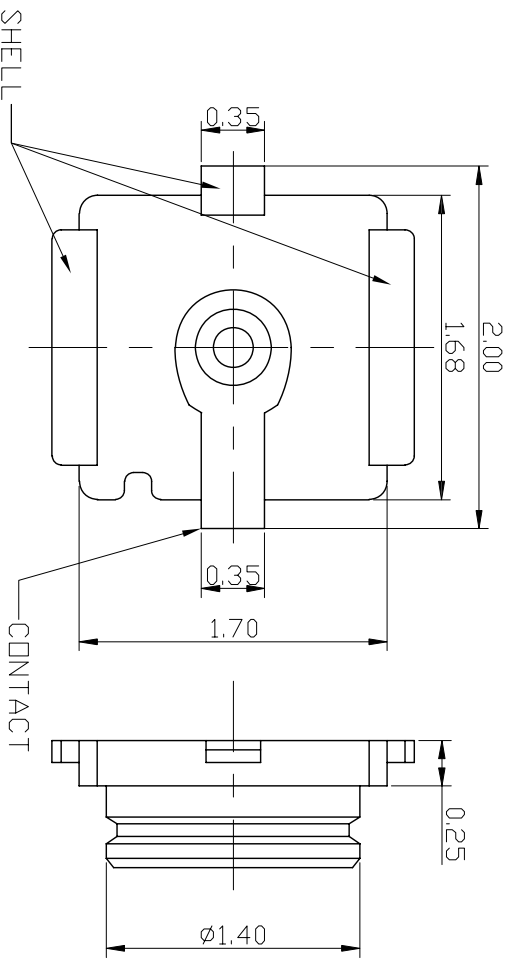


Contact Pad   
 Shell Pad

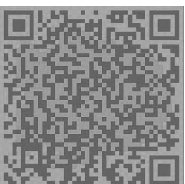
P.C.B. Layout

NOTE: UNLESS OTHERWISE SPECIFIED

1. DIMENSION SHALL BE INTERPRETED PER ANSI Y14.5M-1994.
2. DIMENSION MARKED WITH "▲" SHOULD SPECIFIED ON INSPECTION PLAN.
3. CONTACT RETENTION FORCE: 0.2 N MIN.
4. CONTACT MATERIAL: COPPER ALLOY.
5. INSULATOR: HIGH TEMPERATURE PLASTIC UL94 V-0.
6. LOW PROFILE: 1.5MM MAX. MATING HEIGHT.
7. APPLICATION FREQUENCY UP TO 6 G HZ.



技术详询



深圳市金航标电子有限公司

DWG NO.:

:

ITEM	DESCRIPTION	QTY	MATERIAL	FINISH	REMARK
3	SHELL	1	COPPER ALLOY	Ni: 50u"~100u"/Tin Plating	
2	CONTACT	1	COPPER ALLOY	Ni: 50u"~100u"/Gold Flash	
1	HOUSING	1	LGR(BLACK)	UL94V-0	

XX± 0.25	XX± 5'	APPD: Max 11/2'12	CHKD: Max 11/2'12	PART(№):
.XXX± 0.25	.XX± 3'	DR: Andy 11/2'12		
.XXX± 1'	.XXX± 1'			

UNITS	SCALE	SHEET	REV.
mm	1:1	1/1	A