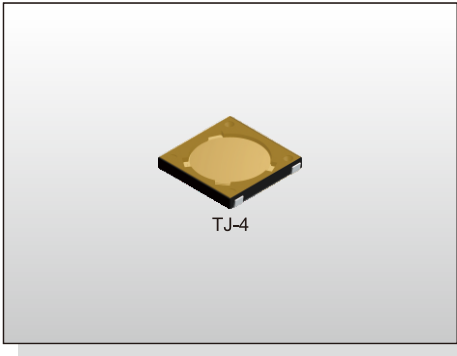


TACT SWITCH  
**TJ-4** SERIES

4.4x4.4 J Terminal SMT Type  
(H: 0.55mm)



**FEATURES**

- ※ Compact-sized 4.4x4.4mm
- ※ Low profile of 0.55mm height
- ※ Long operating life

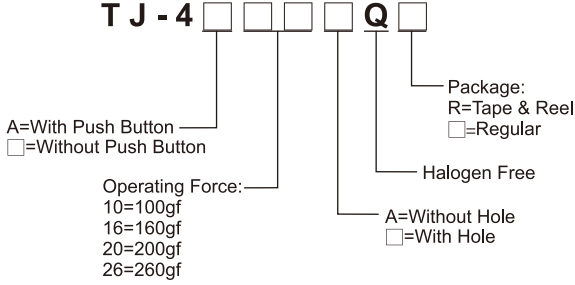
**APPLICATION**

- ※ Smart phone
- ※ Digital camera, Medical
- ※ Portable electronic device

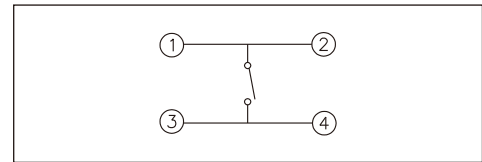
**SPECIFICATION**

|                       |  |
|-----------------------|--|
| Contact Rating        | 50mA, 12V DC   |
| Contact Resistance    | 100mΩ max.   |
| Insulation Resistance | 100MΩ min. 500V DC   |
| Dielectric Strength   | 300V AC/1 minute   |
| Operating Force       | 100±50gf/160±50gf/200±50gf<br>260±50gf                         |
| Travel                | 0.2mm  |
| Operating Life        | 500,000 cycles for 260/200gf<br>1,000,000 cycles for 160/100gf |
| Operating Temp.       | -20°C ~ +70°C  |
| Storage Temp.         | -30°C ~ +80°C  |

**HOW TO ORDER**



**CIRCUIT**

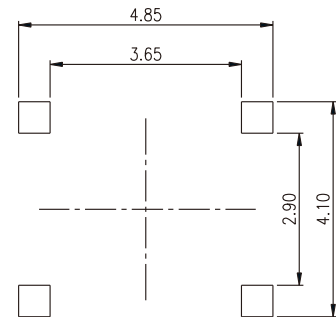
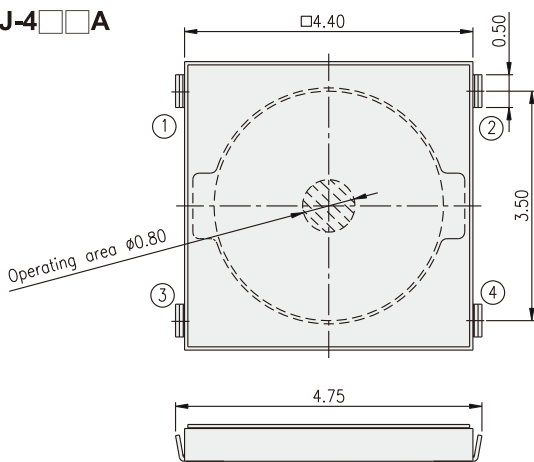


**PACKAGE**

<Tape & Reel>  
TJ-4: 8000 pcs

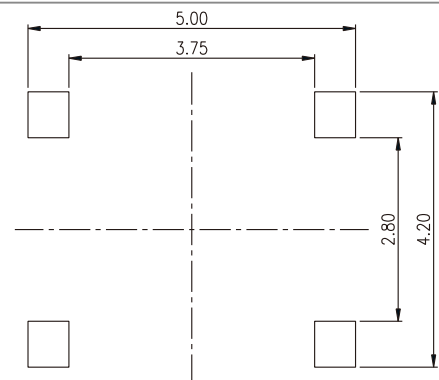
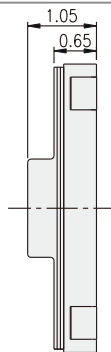
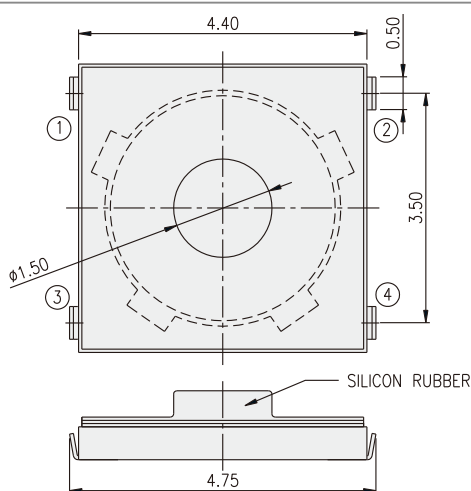
TACT SWITCH

**TJ-4**    **A**



P.C.B. LAYOUT

**TJ-4A**



P.C.B. LAYOUT