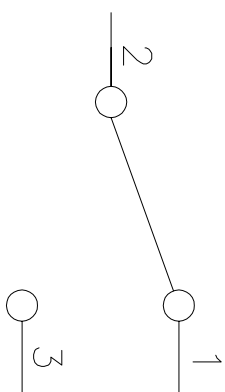
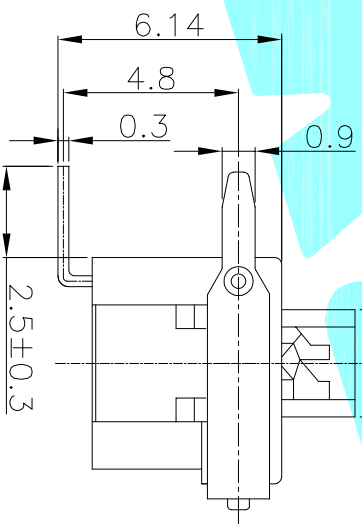
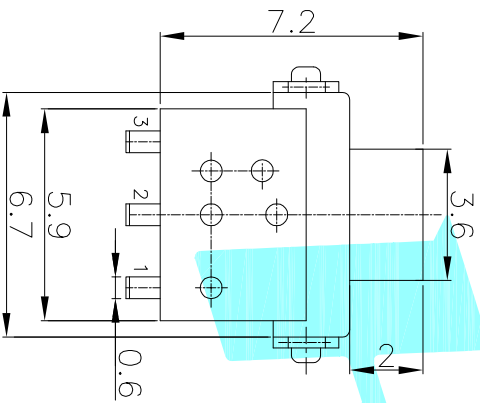
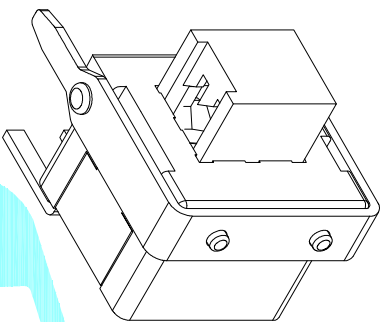
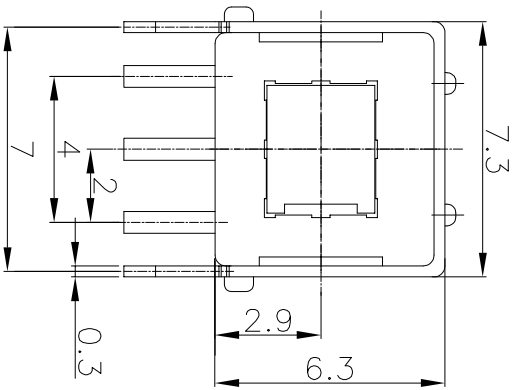
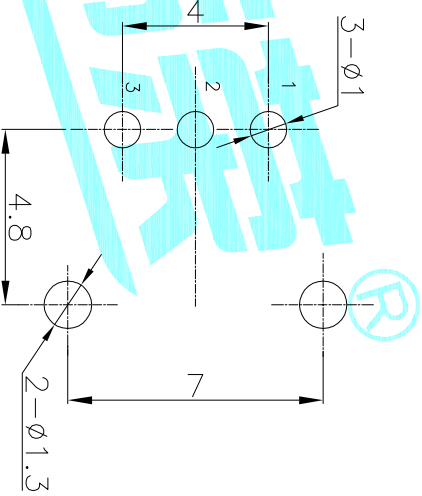


NOTE:
 1. Operating Force: 230gf±50gf
 2. Travel : 2.0±0.2mm



Circuit Diagram



PCB Layout(Pattern Side)

NO.	Operating Type	Part No.
1	Push To Lock	K8-5854T-L1
2	Push No Lock	K8-5854T-N1

⑤	Cover Bushing	—	1	SUS	Sn Plated	—
④	SPRING	—	1	SUS	Natural	—
③	CASE	—	1	PPA/BRASS STRIP	Black	—
②	Cover	—	1	PA9T	Black	—
①	KNOB	—	1	PPA/PBS cs210R-EH	White	—
ITEM	PART NAME	TER'NO.	QTY.	MATERIAL	FINISHING	REMARK

APPROVALS		DATE	TITLE:	
DRAWN	J.X.Zhong	2018/08/01	ELECTRONICS CO.,LTD	
CHECKED			PUSHBUTTON SWITCHS	

ECN NO.	REV.	DATE.	DESCRIPTION.	CHANGE.	CHECK.	APPRO.	TOLERANCES ARE	ANGLE	UNIT:	SCALE:	PROJ:	SHEET
	A		NEW				30~φ1.1 10~φ30 5~φ10 ~5	±0.30 ±0.20 ±0.15 ±0.10	mm	1:1	PROJ:	1 OF 1