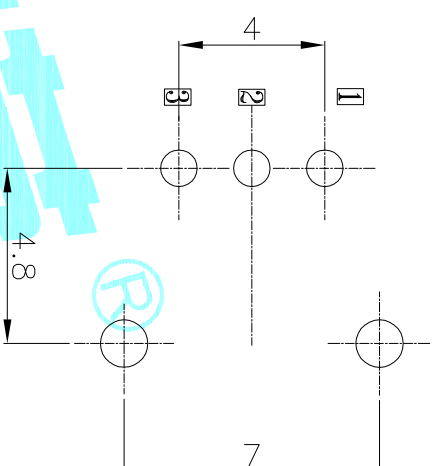
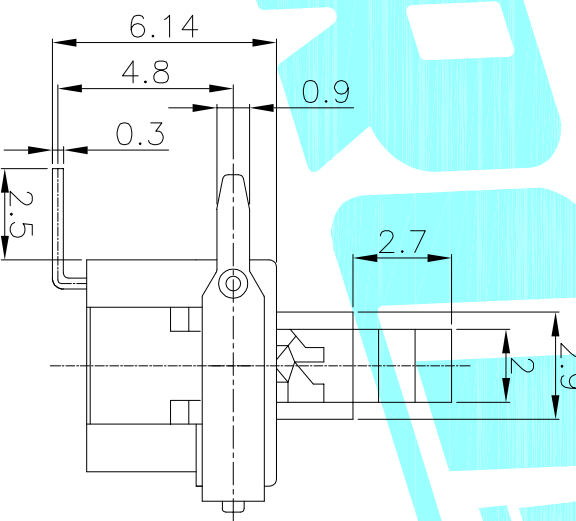
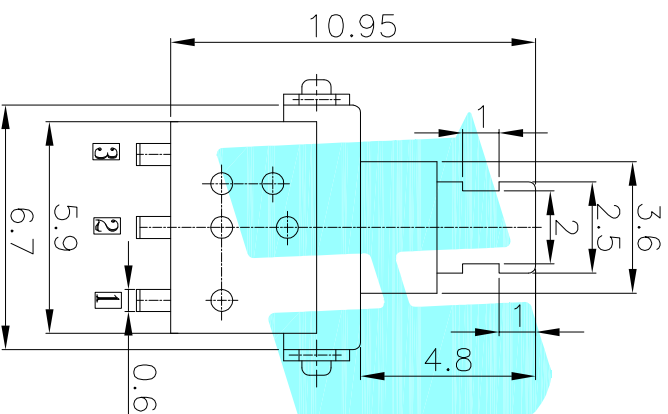


Circuit Diagram



PCB Layout(Pattern Side)



NOTE:
 1. Operating Force: 230gf±50gf
 2. Travel : 2.0±0.2mm

NO.	Operating Type	Part No.
1	Push To Lock	K8-5854P-L1
2	Push No Lock	K8-5854P-N1

NO.	Part Name	TER'NO.	QTY.	MATERIAL	FINISHING	REMARK
⑤	Cover Bushing	---	1	SUS	Sn Plated	---
④	SPRING	---	1	SUS	Natural	---
③	CASE	---	1	PPA/BRASS STRIP	Black	---
②	Cover	---	1	PA9T	Black	---
①	KNOB	---	1	PPA/PBS cs210R-EH	White	---

APPROVALS		DATE	TITLE:
DRAWN	J.X.Zhong	2018/08/01	ELECTRONICS CO.,LTD
CHECKED			PUSHBUTTON SWITCHS

ECN NO.	REV.	DATE.	DESCRIPTION.	CHANGE.	CHECK.	APPRO.	TOLERANCES ARE	ANGLE	UNIT:	SCALE:	PROJ:
	A		NEW				30~0.1±	±0.30	mm	1:1	PROJ: [Symbol]
							10~0.30	±0.20			
							5~0.10	±0.15			
							~5	±0.10			SHEET 1 OF 1