



## Low standby power consumption 800mA Linear Li-Ion Battery Charger

### General Description

The LP4059 is a complete constant-current/constant- voltage linear charger for single cell lithium-ion batteries. Its TDFN-6/SOT23-6 package and low external component count make the LP4059 ideally suited for portable applications. Furthermore, the LP4059 is specifically designed to work within USB power specifications. No external sense resistor is needed, and no blocking diode is required due to the internal MOSFET architecture. Thermal feedback regulates the charge current to limit the die temperature during high power operation or high ambient temperature. The charge voltage is fixed at 4.2V, and the charge current can be programmed externally with a single resistor. The LP4059 automatically terminates the charge cycle when the charge current drops to 1/10th the programmed value after the final float voltage is reached. The input current will be less than 1µA at this time. When the input supply (wall adapter or USB supply) is removed, the LP4059 automatically enters a low current state, dropping the battery drain current to less than 1µA. Other features include charge current monitor, automatic recharge and a status pin to indicate charge termination.

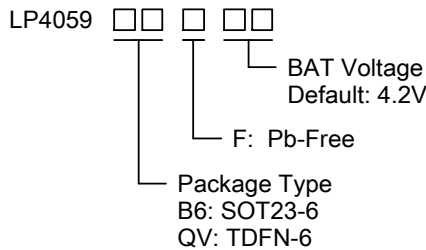
### Features

- ◆ Programmable Charge Current Up to 800mA
- ◆ Shutdown Current less than 1µA
- ◆ No MOSFET, Sense Resistor or Blocking Diode Required
- ◆ Protection of Reverse Connection of Battery
- ◆ Constant-Current/Constant-Voltage Operation with Thermal Regulation to Maximize Charge Rate Without Risk of Overheating
- ◆ 4.2V Charge Voltage with ± 1% Accuracy
- ◆ Automatic Recharge
- ◆ 2.9V Trickle Charge Threshold
- ◆ 3/10C Charge Termination

### Applications

- ◇ Portable Media Players/MP3 players
- ◇ Cellular and Smart mobile phone
- ◇ PDA/DSC
- ◇ Bluetooth Applications

### Order Information

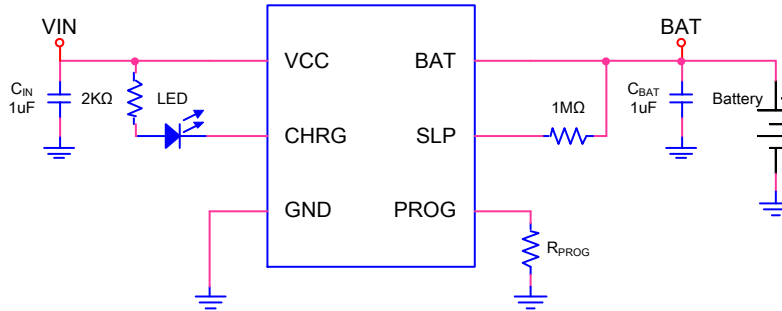


### Marking Information

| Part   | Marking | Package | Shipping |
|--|---------|---------|----------|
| LP4059QVF  | LP4059  | TDFN-6  | 4K/REEL  |
| LP4059B6F  | YWX     | SOT23-6 | 3K/REEL  |
| Marking indication:<br>Y:Production year W:Production week X:Production batch. |         |         |          |



## Typical Application Circuit



## Functional Pin Description

| Package Type       | SOT23-6                   | DFN-6                    |
|--------------------|---------------------------|--------------------------|
| Pin Configurations | <p>SOT23-6 (Top View)</p> | <p>TDFN-6 (Top View)</p> |

## Pin Description

| Pin     |       | Name  | Description  |
|---------|-------|-------|--|
| SOT23-6 | DFN-6 |       |  |
| 6       | 1     | PROG  | Charge Current Program and Charge Current Monitor Pin. The charge current is programmed by connecting a 1% resistor, $R_{PROG}$ , to ground. When charging in constant-current mode, this pin serves to 1V. In all modes, the voltage on this pin can be used to measure the charge current using the following formula: $I_{BAT}=1000/R_{PROG}$ |
| 2       | 2     | GND   | Ground.  |
| 4       | 3     | VCC   | Positive Input Supply Voltage. Provide power to the charger. VCC can range from 4.5V to 6.5V and should be bypassed with at least a 1µF capacitor. When VCC drops to within 30mV of the BAT pin voltage, the LP4059 enters shutdown mode, dropping $I_{BAT}$ to less than 1µA.   |
| 3       | 4     | BAT   | Charge Current Output. Provides charge current to the battery and regulates the final float voltage to 4.2V. An internal precision resistor divider from this pin sets the float voltage.  |
| 5       | 5     | SLP   | Connect to the I/O port of the MCU and connect a 1Mohm resistor to the BAT pin.  |
| 1       | 6     | /CHRG | Open-Drain Charge Status Output. When the battery is charging, the CHRG pin is pulled low by an internal N-channel MOSFET. When the LP4059 detects an under voltage lockout condition or charge complete, CHRG is forced high impedance.   |



### Absolute Maximum Ratings <sup>Note 1</sup>

|   |       |                |
|---|-------|----------------|
| ◇ Input to GND(VCC)                                     | ----- | -0.3V to 10V   |
| ◇ BAT to GND  | ----- | -5V to 8V      |
| ◇ VCC to BAT  | ----- | 8V             |
| ◇ Other Pin to GND                                      | ----- | -0.3V to 6V    |
| ◇ BAT Pin Current                                       | ----- | 800mA          |
| ◇ BAT Short-circuit Duration                            | ----- | Continuous     |
| ◇ Maximum Junction Temperature                          | ----- | 150°C          |
| ◇ Operating Ambient Temperature Range (T <sub>A</sub> ) | ----- | -20°C to 85°C  |
| ◇ Storage Temperature                                   | ----- | -65°C to 165°C |
| ◇ Maximum Soldering Temperature (at leads, 10 sec)      | ----- | 260°C          |

**Note 1.** Stresses beyond those listed under “Absolute Maximum Ratings” may cause permanent damage to the device. These are stress ratings only, and functional operation of the device at these or any other conditions beyond those indicated in the operational sections of the specifications is not implied. Exposure to absolute maximum rating conditions for extended periods may affect device reliability.

### Thermal Information

|  |       |        |
|--|-------|--------|
| ◇ Maximum Power Dissipation (TDFN-6, PD, T <sub>A</sub> =25°C) | ----- | 1.2W   |
| ◇ Thermal Resistance (TDFN-6, θ <sub>JA</sub> )                | ----- | 95°C/W |

### ESD Susceptibility

|                        |       |      |
|------------------------|-------|------|
| ◇ HBM(Human Body Mode) | ----- | 2KV  |
| ◇ MM(Machine Mode)     | ----- | 200V |



## Electrical Characteristics

( $T_A=25^{\circ}\text{C}$ ,  $V_{CC}=5\text{V}$ , LP4059B5F, the specifications which apply over the full operating temperature range, unless otherwise noted.)

| Symbol              | Parameter   | Condition   | Min   | Typ | Max   | Units              |
|---------------------|---|---|-------|-----|-------|--------------------|
| $V_{CC}$            | Adapter/USB Voltage Range                               |   | 4.5   | 5   | 6.5   | V                  |
| $I_{CC}$            | Input Supply Current                                    | Standby Mode (Charge Terminated)  |       | 50  |       | $\mu\text{A}$      |
|                     |   | SLP=High  |       | 1   |       |                    |
| $V_{FLOAT}$         | Regulated Output (Float) Voltage                        |   | 4.158 | 4.2 | 4.242 | V                  |
| $I_{BAT}$           | BAT Pin Current   | $R_{PROG}=10\text{k}$ , Current Mode  | 80    | 100 | 120   | mA                 |
|                     |   | $R_{PROG}=2\text{k}$ , Current Mode   | 400   | 500 | 600   |                    |
|                     |   | Reverse Current, $V_{BAT}=-4.2\text{V}$   |       | -1  |       |                    |
|                     |   | Standby Mode, $V_{BAT}=4.2\text{V}$<br>Shutdown Mode ( $R_{PROG}$ NC)<br>Sleep Mode, $V_{CC}=0\text{V}$ |       | 1   |       | $\mu\text{A}$      |
| $V_{TRIKL}$         | Trickle Charge Threshold Voltage                        | $R_{PROG}=10\text{k}$ , $V_{BAT}$ Rising  |       | 2.9 |       | V                  |
| $I_{TRIKL}$         | Trickle Charge Current                                  | $V_{BAT} < V_{TRIKL}$   |       | 20  |       | mA                 |
| $V_{TRHYS}$         | Trickle Charge Hysteresis Voltage                       | $R_{PROG}=10\text{k}$   |       | 180 |       | mV                 |
| $V_{UV}$            | $V_{CC}$ Undervoltage Lockout Threshold                 | From $V_{CC}$ Low to High   |       | 3.8 |       | V                  |
| $V_{UVHYS}$         | $V_{CC}$ Undervoltage Lockout Hysteresis                |   |       | 500 |       | mV                 |
| $V_{ASD}$           | $V_{CC}-V_{BAT}$ Lockout Threshold Voltage              |   |       | 100 |       | mV                 |
| $I_{TERM}$          | Termination Current Threshold                           | $R_{PROG}=10\text{k}$   |       | 30  |       | % $I_{BAT}$        |
|                     |   | $R_{PROG}=2\text{k}$  |       | 30  |       |                    |
| $V_{PROG}$          | PROG Pin Voltage  | $R_{PROG}=10\text{k}$ , Charge Mode   |       | 1   |       | V                  |
| $V_{CHRG}$          | CHRG Pin Output Low Voltage                             | $I_{CHRG}=5\text{mA}$   |       |     | 0.6   | V                  |
| $I_{CHRG}$          | CHRG Pin Weak Pull-Down Current                         | $V_{CHRG}=5\text{V}$  |       |     | 5     | $\mu\text{A}$      |
| $\Delta V_{RECHRG}$ | Recharge Battery Threshold Voltage                      | $V_{FLOAT}-V_{RECHRG}$  |       | 150 |       | mV                 |
| $T_{LIM}$           | Junction Temperature in Constant Temperature Mode       |   |       | 150 |       | $^{\circ}\text{C}$ |
| $R_{ON}$            | Power FET "ON" Resistance<br>(Between $V_{CC}$ and BAT) |   |       | 500 |       | $\text{m}\Omega$   |
| $t_{SS}$            | Soft-Start Time   | $I_{BAT}=0$ to $I_{BAT}=800/R_{PROG}$   |       | 200 |       | $\mu\text{s}$      |



## Application Information

The LP4059 is a single cell lithium-ion battery charger using a constant-current/constant-voltage algorithm. It can deliver up to 800mA of charge current (using a good thermal PCB layout) with a final float voltage accuracy of  $\pm 1\%$ . The LP4059 includes an internal P-channel power MOSFET and thermal regulation circuitry. No blocking diode or external current sense resistor is required; thus, the basic charger circuit requires only three external components. Furthermore, the LP4059 is capable of operating from a USB power source.

### Normal Charge Cycle

A charge cycle begins when the voltage at the VCC pin rises above the UVLO threshold level and a 1% program resistor is connected from the PROG pin to ground or when a battery is connected to the charger output. If the BAT pin is less than 2.9V, the charger enters trickle charge mode to bring the battery voltage up to a safe level for full current charging.

When the BAT pin voltage rises above 2.9V, the charger enters constant-current mode, where the programmed charge current is supplied to the battery. When the BAT pin approaches the final float voltage (4.2V), the LP4059 enters constant-voltage mode and the charge current begins to decrease. The charge cycle ends when the charge current drops to 1/10 of the programmed value.

### Programming Charge Current

The charge current is programmed using a single resistor from the PROG pin to ground. The battery charge current is 1000 times the current out of the PROG pin. The program resistor and the charge current are calculated using the following equations:

$$R_{PROG} = 1000V / I_{BAT}$$

$$I_{BAT} = 1000V / R_{PROG}$$

The charge current out of the BAT pin can be determined at any time by monitoring the PROG pin voltage using the following equation:

$$I_{BAT} = V_{PROG} / R_{PROG} \times 1000$$

### Charge Termination

A charge cycle is terminated when the charge current falls to 1/10th the ISET rammed value after the final float voltage is reached. This condition is detected by using an internal, filtered comparator to monitor the ISET pin. When the ISET pin voltage falls below 200mV for longer than  $t_{TERM}$  (typically 1ms), charging is terminated. The charge current is latched off and the LP4059 enters standby mode, where the input supply current drops to 200 $\mu$ A. In this state, all loads on the BAT pin must be supplied by the battery. (Note: C/10 termination is disabled in trickle charging and thermal limiting modes).

### Charge Status Indicator (CHRG&FULL)

The charge status output has two different states: strong pull-down (~5mA) and high impedance. The strong pull-down state indicates that the LP4059 is in a charge cycle. Once the charge cycle has terminated, the pin state is determined by under voltage lockout conditions. High impedance indicates that the charge cycle complete or the LP4059 is in under voltage lockout mode: either  $V_{CC}$  is less than 100mV above the BAT pin voltage or insufficient voltage is applied to the VCC pin. A microprocessor can be used to distinguish between these two states.

| Function        | CHRG            |
|-----------------|-----------------|
| Charging        | Low Level       |
| Charge Complete | High Resistance |

### Charge Current

An internal thermal feedback loop reduces the programmed charge current if the die temperature attempts to rise above a preset value of approximately 150°C. This feature protects the LP4059 from excessive temperature and allows the user to push the limits of the power handling capability of a given circuit board without risk of damaging the LP4059. The charge current can be set according to typical (not worst-case) ambient temperature with the assurance that the charger will automatically reduce the current in worst-case conditions.



## Stability Considerations

The constant-voltage mode feedback loop is stable without an output capacitor provided a battery is connected to the charger output. With no battery present, an output capacitor is recommended to reduce ripple voltage. When using high value, low ESR ceramic capacitors, it is recommended to add a 1Ω resistor in series with the capacitor. No series resistor is needed if tantalum capacitors are used.

## Manual Shutdown

At any point in the charge cycle, the LP4059 can be put into shutdown mode by removing R<sub>PROG</sub>. This reduces the battery drain current to less than 1μA. A new charge cycle can be initiated by reconnecting the program resistor. The CHR<sub>G</sub> pin is in a high impedance state if the LP4059 is in under voltage lockout mode: either V<sub>CC</sub> is within 100mV of the BAT pin voltage or insufficient voltage is applied to the V<sub>CC</sub> pin.

## Automatic Recharge

Once the charge cycle is terminated, the LP4059 continuously monitors the voltage on the BAT pin using a comparator with a 2ms filter time (t<sub>RECHRG</sub>). A charge cycle restarts when the battery voltage falls below 4.05V (which corresponds to approximately 80% to 90% battery capacity). This ensures that the battery is kept at or near a fully charged condition and eliminates the need for periodic charge cycle initiations. CHR<sub>G</sub> output enters a strong pull-down state during recharge cycles.

## Under voltage Lockout (UVLO)

An internal under voltage lockout circuit monitors the input voltage and keeps the charger in shutdown mode until V<sub>CC</sub> rises above the under voltage lockout threshold. The UVLO circuit has a built-in hysteresis of 500mV. Furthermore, to protect against reverse current in the power MOSFET, the UVLO circuit keeps the charger in shutdown mode if V<sub>CC</sub> falls to within 30mV of the battery voltage. If the UVLO comparator is tripped, the charger will not come out of shutdown mode until V<sub>CC</sub> raises 100mV above the battery voltage.

## Power Dissipation ( SOT23-5 )

The conditions that cause the LP4059 to reduce charge current through thermal feedback can be approximated by considering the power dissipated in the IC. Nearly all of this power dissipation is generated by the internal MOSFET—this is calculated to be approximately:

$$P_D = (V_{CC} - V_{BAT}) \times I_{BAT}$$

Where PD is the power dissipated, V<sub>CC</sub> is the input supply voltage, V<sub>BAT</sub> is the battery voltage and I<sub>BAT</sub> is the charge current. The approximate ambient temperature at which the thermal feedback begins to protect the IC is:

$$T_A = 150^\circ\text{C} - P_D \times \theta_{JA}$$

$$T_A = 150^\circ\text{C} - (V_{CC} - V_{BAT}) \times I_{BAT} \times \theta_{JA}$$

## VCC Bypass Capacitor

Many types of capacitors can be used for input bypassing; however, caution must be exercised when using multilayer ceramic capacitors. Because of the self-resonant and high Q characteristics of some types of ceramic capacitors, high voltage transients can be generated under some start-up conditions, such as connecting the charger input to a live power source. Adding a 1.5Ω resistor in series with an X5R ceramic capacitor will minimize start-up voltage transients.

## Intelligent Charge Control

The LP4059 includes an intelligent charge control logic (SLP) that is connected to BAT through a 1MΩ pull-up resistor. If the I/O interface connected to the SLP pin is in a high-impedance state, a charge cycle restarts when the battery voltage below 3.4V. When the battery voltage rises than 3.6V, the chip will stop charging. Controlling the SLP through an external I/O output signal can turn the chip on/off. When the SLP is in a low-level state, the chip will continue to charge. When the SLP is in a high-level or high-impedance state, chip enters standby mode. This reduces the battery drain current to less than 1μA and the supply current to less than 1μA.



## Layout Considerations

For the main current paths as indicated in bold lines, keep their traces short and wide.

Put the input and output capacitor as close as possible to the device pins (VCC, BAT and GND).

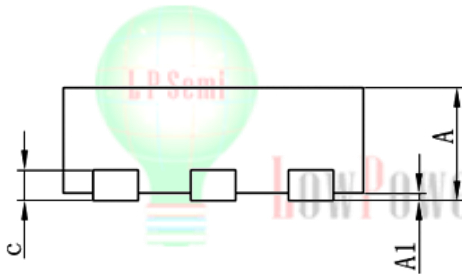
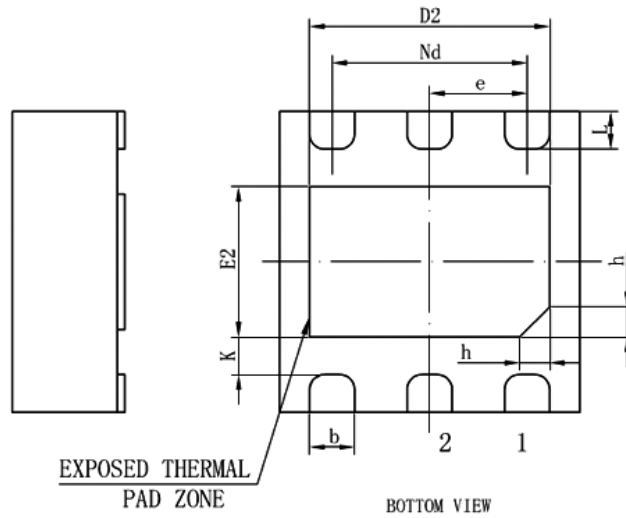
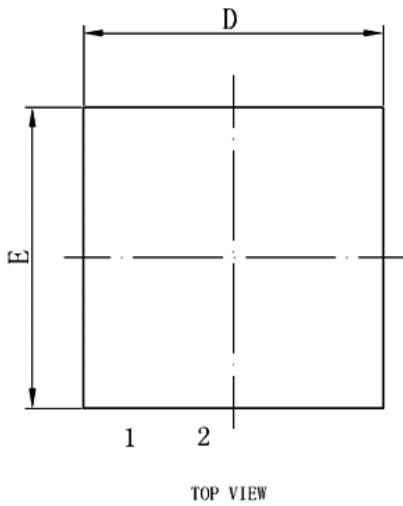
Connect all analog grounds to a command node and then connect the command node to the power ground behind the output capacitors





## Packaging Information

### TDFN-6

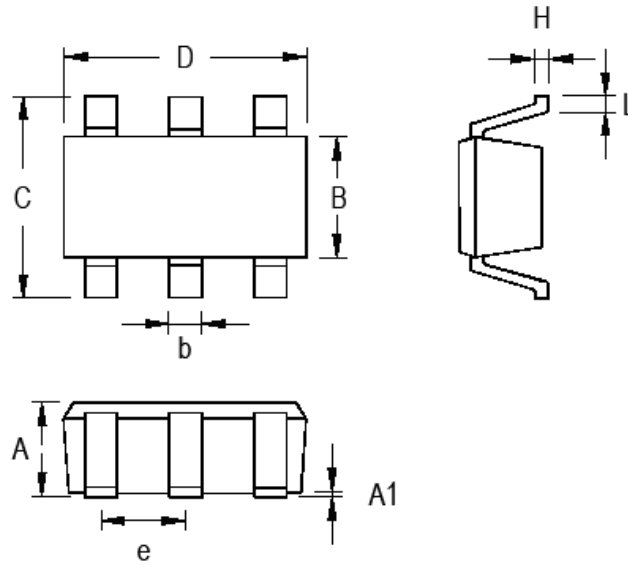


| SYMBOL            | MILLIMETER |      |      |
|-------------------|------------|------|------|
|                   | MIN        | NOM  | MAX  |
| A                 | 0.70       | 0.75 | 0.80 |
| A1                | 0          | 0.02 | 0.05 |
| b                 | 0.25       | 0.30 | 0.35 |
| c                 | 0.18       | 0.20 | 0.25 |
| D                 | 1.90       | 2.00 | 2.10 |
| D2                | 1.50       | 1.60 | 1.70 |
| e                 | 0.65BSC    |      |      |
| Nd                | 1.30BSC    |      |      |
| E                 | 1.90       | 2.00 | 2.10 |
| E2                | 0.90       | 1.00 | 1.10 |
| K                 | 0.20       | -    | -    |
| L                 | 0.20       | 0.25 | 0.30 |
| h                 | 0.15       | 0.20 | 0.25 |
| SIZE OF L/F (MIL) | 69X47      |      |      |





SOT23-6



| Symbol | Dimensions In Millimeters |       | Dimensions In Inches |       |
|--------|---------------------------|-------|----------------------|-------|
|        | Min                       | Max   | Min                  | Max   |
| A      | 0.889                     | 1.295 | 0.031                | 0.051 |
| A1     | 0.000                     | 0.152 | 0.000                | 0.006 |
| B      | 1.397                     | 1.803 | 0.055                | 0.071 |
| b      | 0.250                     | 0.560 | 0.010                | 0.022 |
| C      | 2.591                     | 2.997 | 0.102                | 0.118 |
| D      | 2.692                     | 3.099 | 0.106                | 0.122 |
| e      | 0.838                     | 1.041 | 0.033                | 0.041 |
| H      | 0.080                     | 0.254 | 0.003                | 0.010 |
| L      | 0.300                     | 0.610 | 0.012                | 0.024 |