

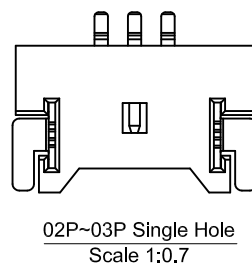
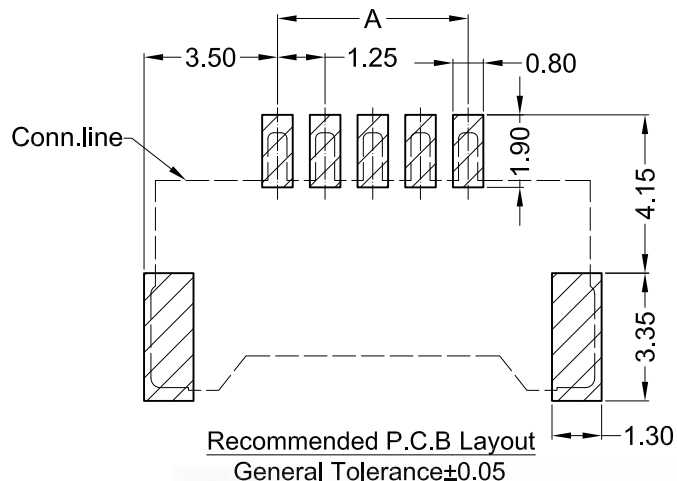
Specifications :

- Voltage rating: 125V AC / DC
- Current rating: 1A AC / DC
- Withstanding voltage: 250V AC/minute
- Temperature range: -25°C~+85°C
- Insulation resistance: ≥100MΩ
- Contact resistance: ≤20mΩ
- After environmental testing: ≤40mΩ

X9827 W R S-XX HF-XX V01 XX

① ② ③ ④ ⑤ ⑥ ⑦ ⑧ ⑨

- ① Series No.
- ② Category: W-wafer
- ③ Welding Board Angle: R- Right Angle 90°
- ④ Welding Way: S-SMT
- ⑤ Row No.-Pin No.: XX-02P~30P
- ⑥ Plug the Pin & Special No.: HF-Halogen Free
- ⑦ Material: 6T-PA6T 94V-0 ; 9T-PA9T 94V-0 ; 1T-PA10T
- ⑧ Planting Category: V01-Gold Flash SN-bright plating
- ⑨ Color: Blank-natural color



Poles	Dimensions(mm)			Poles	Dimensions(mm)		
	A	B	C		A	B	C
02	1.25	7.65	2.90	10	11.25	17.65	12.90
03	2.50	8.90	4.15	11	12.50	18.90	14.15
04	3.75	10.15	5.40	12	13.75	20.15	15.40
05	5.00	11.40	6.65	13	15.00	21.40	16.65
06	6.25	12.65	7.90	14	16.25	22.65	17.90
07	7.50	13.90	9.15	15	17.50	23.90	19.15
08	8.75	15.15	10.40	16	18.75	25.15	20.40
09	10.00	16.40	11.65	20	23.75	30.15	25.40
				30	36.25	42.65	37.90

X9827WRS-XXHF-9TV01	PA9T UL 94V-0 (Halogen Free)	Phorphos bronze	Tin-Plated	Phorphos bronze	Tin-Plated	9827H
X9827WRS-XX-1TV01	PA10T UL 94V-0					
X9827WRS-XX-6TV01	PA6T UL 94V-0					
X9827WRS-XX-9TSN	PA9T UL 94V-0					
PART NO	Material	Material(Pin)	Finish(Pin)	Material (Solder Tabs)	Finish (Solder Tabs)	Suitable XKB Terminal

For and on behalf of
XKB INDUSTRIAL PRECISION CO., LIMITED
香港星坤工業精密有限公司

△ X					ANGULAR	± 5°
△ X					L ≤ 4	± 0.2
△ X					4 < L ≤ 16	± 0.3
△ X					16 < L ≤ 63	± 0.4
MARK					L > 63	± 0.5
REVISIONS				UNSPECIFIED TOLERANCES		

DSND		DATE		SCALE: N/A	MODEL TYPE: X9827WRS-XX-9TSN	
DWN		DATE		VIEW:	PART NO.:	
CHKD		DATE		UNIT: mm	1.25mm Crimp Style Connectors	
APPD		DATE		SIZE: A4	DWG NO.:	
				WEIGHT	SHEET	REVISION
				1.0g	1/1	A0

Authorized Signature(s)

XKB INDUSTRIAL PRECISION CO., LIMITED