

FEATURES

- ※BCD, Hexadecimal
- ※Cross-head& Flat-head Actuator
- ※Washable

APPLICATION

- ※Steering system
- ※White goods
- ※Wireless microphone

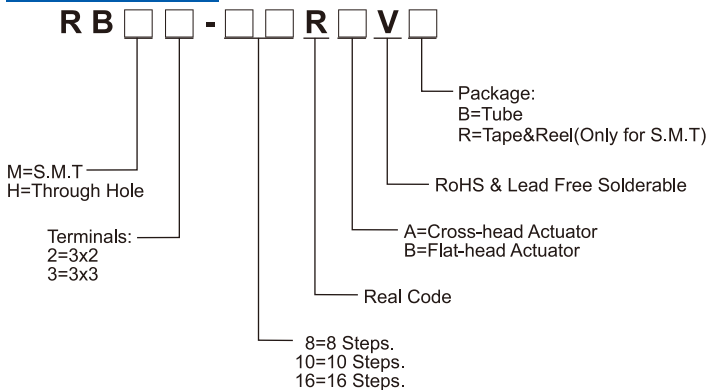
SPECIFICATION

| | |
|-----------------------|--------------------|
| Contact Rating | 150mA, 24V DC |
| Contact Resistance | 80mΩ max. |
| Insulation Resistance | 100MΩ min. 250V DC |
| Dielectric Strength | 250V AC/1 minute |
| Operating Force | 400gf·cm max. |
| Operating Life | 10,000 steps |
| Operating Temp. | -60°C ~ +125°C |
| Storage Temp. | -60°C ~ +125°C |

PACKAGE

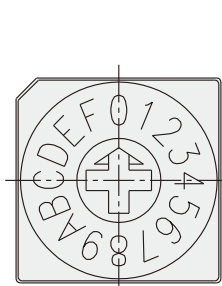
<Tube>
47 pcs
<Tape & Reel>
RBM: 450 pcs.

HOW TO ORDER

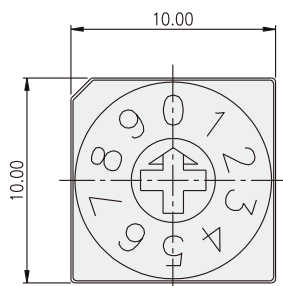


ROTARY CODED SWITCH

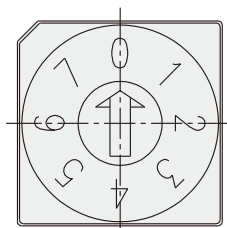
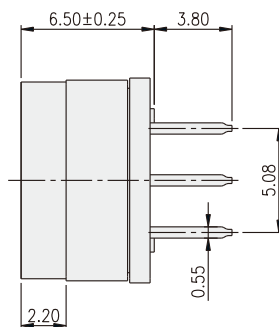
RBH3-□□RA



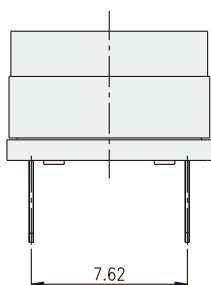
RBH3-16RA



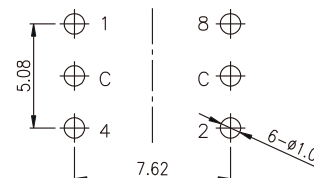
RBH3-10RA



RBH3-8RB

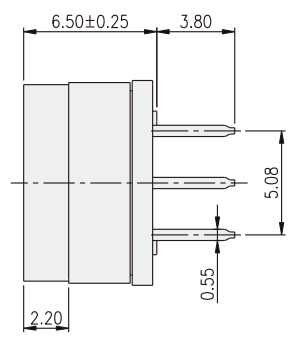
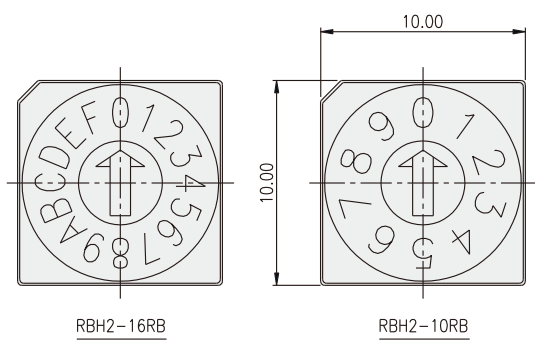


| TYPE | POSITION | CODE | | | |
|---------|----------|------|---|---|---|
| | | 1 | 2 | 4 | 8 |
| 10R 08R | 0 | ● | ● | ● | ● |
| | 1 | ○ | ● | ● | ● |
| | 2 | ● | ○ | ● | ● |
| | 3 | ○ | ○ | ● | ● |
| | 4 | ● | ● | ○ | ● |
| | 5 | ○ | ● | ○ | ● |
| | 6 | ● | ○ | ○ | ● |
| | 7 | ○ | ○ | ○ | ● |
| | 8 | ● | ● | ● | ○ |
| | 9 | ○ | ○ | ● | ○ |
| 16R | A | ● | ○ | ● | ○ |
| | B | ○ | ○ | ● | ○ |
| | C | ● | ● | ○ | ○ |
| | D | ○ | ● | ○ | ○ |
| | E | ● | ○ | ○ | ○ |
| | F | ○ | ○ | ○ | ○ |



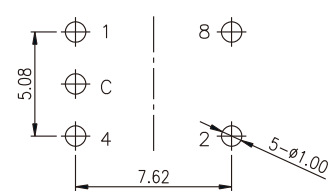
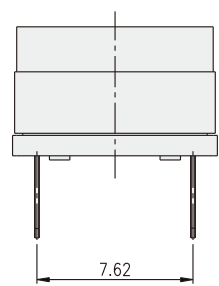
P.C.B. LAYOUT

RBH2-□□RB



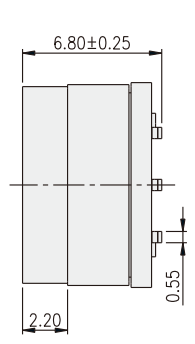
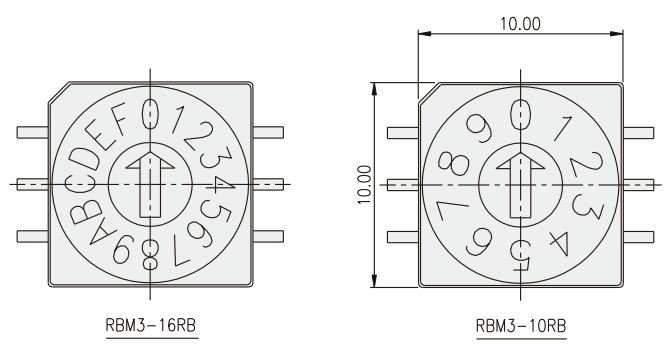
○ ON
● OFF

| TYPE | POSITION | CODE | | | |
|------|----------|------|---|---|---|
| | | 1 | 2 | 4 | 8 |
| 10R | 0 | ● | ● | ● | ● |
| | 1 | ○ | ○ | ● | ● |
| | 2 | ● | ○ | ○ | ● |
| | 3 | ○ | ○ | ● | ● |
| | 4 | ● | ● | ○ | ● |
| | 5 | ○ | ○ | ○ | ● |
| | 6 | ● | ○ | ○ | ● |
| | 7 | ○ | ○ | ○ | ● |
| | 8 | ○ | ● | ● | ○ |
| | 9 | ● | ● | ● | ○ |
| 16R | A | ● | ○ | ● | ○ |
| | B | ○ | ○ | ● | ○ |
| | C | ● | ● | ○ | ○ |
| | D | ○ | ● | ○ | ○ |
| | E | ● | ○ | ○ | ○ |
| | F | ○ | ○ | ○ | ○ |



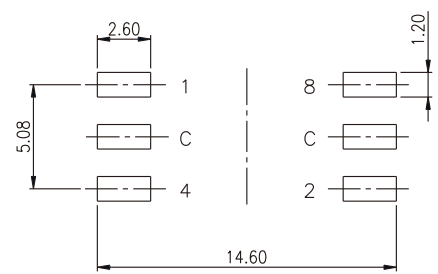
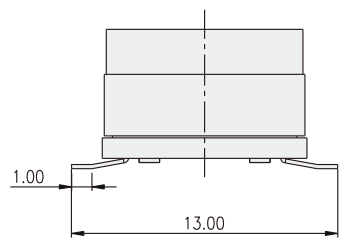
P.C.B. LAYOUT

RBM3-□□RB



○ ON
● OFF

| TYPE | POSITION | CODE | | | |
|------|----------|------|---|---|---|
| | | 1 | 2 | 4 | 8 |
| 10R | 0 | ● | ● | ● | ● |
| | 1 | ○ | ● | ● | ● |
| | 2 | ● | ○ | ● | ● |
| | 3 | ○ | ○ | ● | ● |
| | 4 | ○ | ○ | ○ | ● |
| | 5 | ○ | ● | ○ | ● |
| | 6 | ● | ○ | ○ | ● |
| | 7 | ○ | ○ | ○ | ● |
| | 8 | ○ | ● | ● | ○ |
| | 9 | ○ | ● | ● | ○ |
| 16R | A | ○ | ○ | ● | ○ |
| | B | ○ | ○ | ● | ○ |
| | C | ● | ● | ○ | ○ |
| | D | ○ | ● | ○ | ○ |
| | E | ● | ○ | ○ | ○ |
| | F | ○ | ○ | ○ | ○ |



P.C.B. LAYOUT

ROTARY CODED SWITCH