

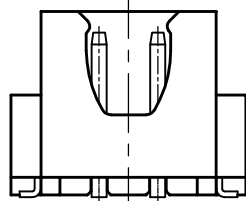
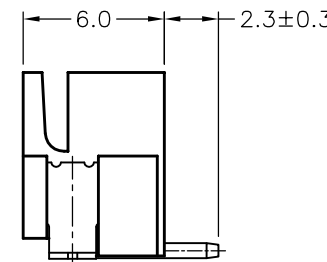
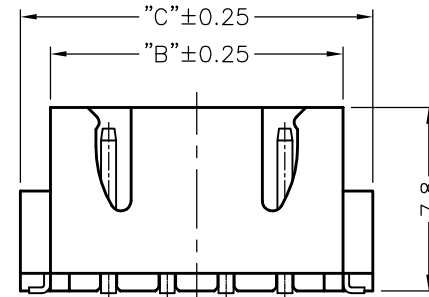
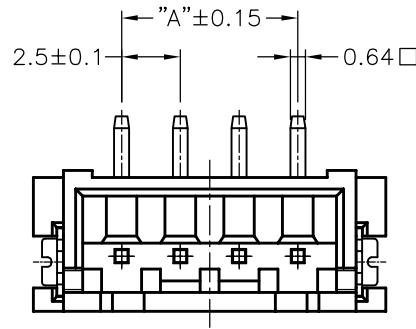
Poles	DIM.A	DIM.B	DIM.C
2P	2.5	7.45	10.0
3P	5.0	9.95	12.5
4P	7.5	12.45	15.0
5P	10.0	14.95	17.5
6P	12.5	17.45	20.0
7P	15.0	19.95	22.5
8P	17.5	22.45	25.0
9P	20.0	24.95	27.5
10P	22.5	27.45	30.0
11P	25.0	29.95	32.5
12P	27.5	32.45	35.0
13P	30.0	34.95	37.5
14P	32.5	37.45	40.0
15P	35.0	39.95	42.5
16P	37.5	42.45	45.0

■ 技术参数 SPECIFICATIONS

- ◆ 适用线规: AWG.#30~#22
Applicable Wire: AWG.#30~#22
- ◆ 额定电压: 250V DC/AC(rms)
Rated voltage: 250V DC/AC(rms)
- ◆ 额定电流: 3A (AWG.#22)
Rated Current: 3A (AWG.#22)
- ◆ 耐压值: 1000V AC/minute
Withstand voltage: 1000V AC/min.
- ◆ 工作温度: -25°C ~ +85°C
Working Temp: -25°C ~ +85°C
- ◆ 绝缘电阻: $\geq 1000 \text{ M}\Omega$
Insulation resistance: $\geq 1000 \text{ M}\Omega$
- ◆ 接触电阻: $\leq 20 \text{ m}\Omega$
Contact resistance: $\leq 20 \text{ m}\Omega$

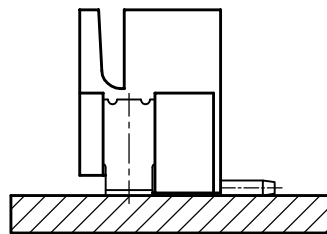
■ 材料 MATERIAL

- ◆ 绝缘体: 尼龙9T, UL94-V0
Insulator: PA9T, UL94-V0
- ◆ 接触针: 黄铜
Contact PIN: Brass
- ◆ 焊片: 磷铜
Solder tab: Phosphor bronze

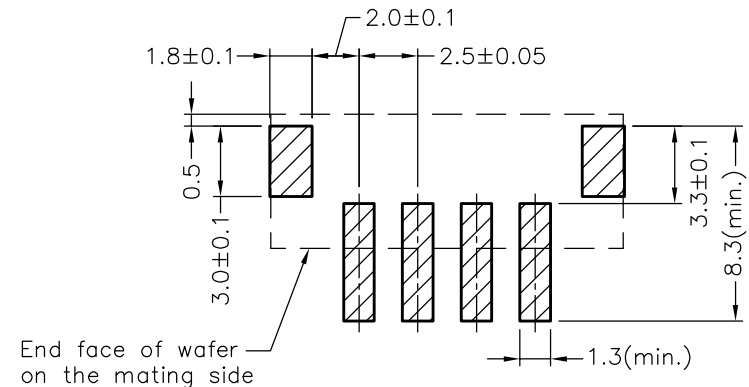


2P样式

3P~16P样式



Assembly Layout



P.C.B LAYOUT

				TOLERANCE UNLESS OTHERWISE		DRAWN	CK tan	XFCN兴飞连接器有限公司 CONNECTORS XFCN CONNECTORS CO., LTD.		SHEET	1/1
				X.	±0.30	X°	±5°			CHKD	DATE
				.X	±0.20	.X°	±2°	APPD	PRODUCT NAME	2.50mm Crimp Style Connectors	
				.XX	±0.08	.XX°	±1°	VIEW	PART. NO.	M2501VS-XX	
A0 VER	MODIFICATION		DRAW	DATE	.XXX	±0.03	.XXX°	±0.5°	DWG. NO.	009	