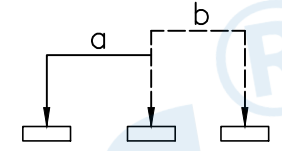
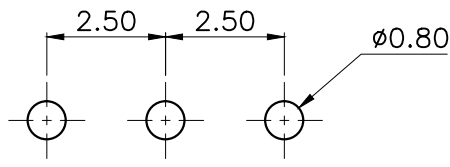
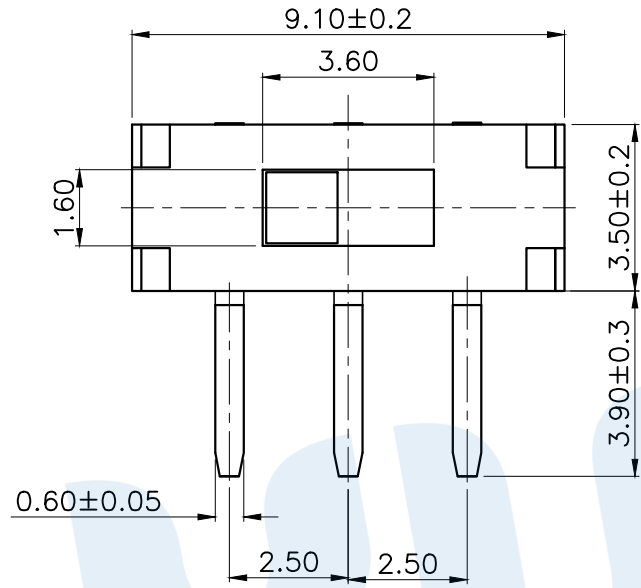


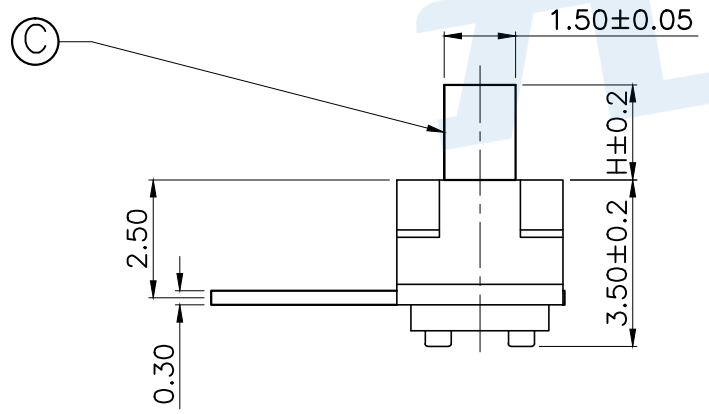
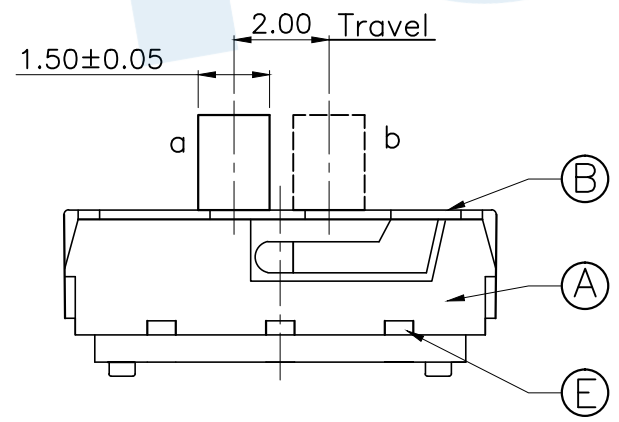
RoHS



PCB Layout (Pattern side)

Circuit Diagram

Code	H	Operating force
A1	2.0	200±80gf
A2	3.0	
A3	4.0	



NO.	Name	Number	Qty	Materil	Remarks
⑤	Terminal		3	Brass	Silver
④	Contact reed		1	Beryllium copper	Silver covered
③	Handle		1	PA46	Black
②	Cover		1	SUS	Natural
①	Base		1	PA46	Black

YUANDI® Yuandi Electronics Co, Ltd

design	date	name	TOGGLE SWITCH
Review	date	name	
Approved	date	name	
Drawing number:			TA-3522-A□

angle	±2'	Tolerance not specified	Proportion	1:1	unit	mm	gape number	A4
10~30	±0.30							
5~10	±0.20							
~ 5	±0.10							
modify	Review	Approved						