

FEATURES

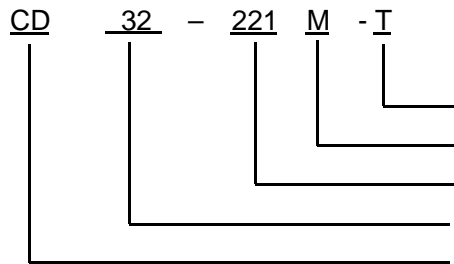
- Excellent solder ability and high heat resistance.
- Excellent terminal strength construction.
- Surface mount inductor with high current rating.
- Packed in embossed carrier tape and can be used by automatic mounting machine.



APPLICATIONS

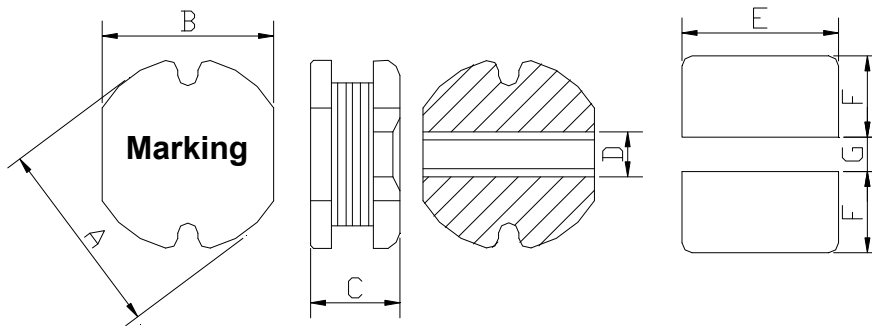
- LCD driving circuits(DC-DC converters) such as notebook, personal computers ,portable terminal equipment ,game units

PRODUCT IDENTIFICATION



Packaging style (T: Taping; B: bulk)
 Inductance Tolerance (K:10% ; M:20% ; N:30%)
 Inductance Value (150:15uH; 100: 10uH; 101:100uH)
 Product dimensions
 Series name

SHAPES AND DIMENSIONS



| Series | Dimensions(mm) | | | | | | |
|--------|----------------|---------|---------|-----|-----|------|-----|
| | A | B | C | D | E | F | G |
| CD32 | 3.5±0.3 | 3.0±0.3 | 2.1±0.3 | 1.0 | 3.5 | 1.3 | 1.0 |
| CD43 | 4.5±0.3 | 4.0±0.3 | 3.2±0.3 | 1.4 | 4.5 | 1.8 | 1.5 |
| CD53 | 5.8±0.3 | 5.2±0.3 | 3.2±0.3 | 1.5 | 5.8 | 2.2 | 1.7 |
| CD54 | 5.8±0.3 | 5.2±0.3 | 4.5±0.3 | 1.6 | 5.8 | 2.2 | 1.7 |
| CD75 | 7.8±0.3 | 7.0±0.3 | 5.0±0.3 | 2.4 | 7.5 | 3.0 | 2.0 |
| CD104F | 10.0±0.3 | 9.0±0.3 | 4.0±0.3 | 2.9 | 9.5 | 3.75 | 2.5 |
| CD105F | 10.0±0.3 | 9.0±0.3 | 5.4±0.3 | 2.9 | 9.5 | 3.75 | 2.5 |

Note: Beyond the above specification also could satisfy the special requirement

ELECTRICAL CHARACTERISTICS

- Rated Current: Inductance drop = 10% typ. at rated Isat & $\Delta T=40^{\circ}\text{C}$ rise typ. at Irms

| Part Number | L(uH) | Test Freq.(KHz) | DCR max.(Ω) | Rated Current(A) |
|-------------|-------|-----------------|----------------------|------------------|
| CD32-1R0MT | 1.0 | 100 | 0.045 | 2.20 |
| CD32-1R5MT | 1.5 | 100 | 0.055 | 2.00 |
| CD32-2R2MT | 2.2 | 100 | 0.085 | 1.60 |
| CD32-2R7MT | 3.3 | 100 | 0.100 | 1.40 |
| CD32-3R3MT | 3.9 | 100 | 0.120 | 1.04 |
| CD32-4R7MT | 4.7 | 100 | 0.135 | 1.00 |
| CD32-5R6MT | 5.6 | 100 | 0.145 | 0.95 |
| CD32-6R8MT | 6.8 | 100 | 0.200 | 0.95 |
| CD32-8R2MT | 8.2 | 100 | 0.250 | 0.92 |
| CD32-100MT | 10 | 100 | 0.320 | 0.90 |
| CD32-120MT | 12 | 100 | 0.350 | 0.85 |
| CD32-150MT | 15 | 100 | 0.460 | 0.75 |
| CD32-180MT | 18 | 100 | 0.520 | 0.70 |
| CD32-220MT | 22 | 100 | 0.650 | 0.60 |
| CD32-270MT | 27 | 100 | 0.750 | 0.55 |
| CD32-330MT | 33 | 100 | 0.920 | 0.50 |
| CD32-390MT | 39 | 100 | 1.120 | 0.48 |
| CD32-470MT | 47 | 100 | 1.270 | 0.45 |
| CD32-560MT | 56 | 100 | 1.500 | 0.30 |
| CD32-680MT | 68 | 100 | 2.000 | 0.26 |
| CD32-820MT | 82 | 100 | 2.150 | 0.23 |
| CD32-101KT | 100 | 1 | 2.800 | 0.20 |
| CD32-121KT | 120 | 1 | 3.400 | 0.18 |
| CD32-151KT | 150 | 1 | 4.200 | 0.16 |
| CD32-181KT | 180 | 1 | 4.500 | 0.15 |
| CD32-221KT | 220 | 1 | 5.700 | 0.14 |

Note: Beyond the above specification also could satisfy the special requirement

| Part Number | L(uH) | Test Freq.(KHz) | DCR max.(Ω) | Rated Current(A) |
|-------------|-------|-----------------|-------------|------------------|
| CD43-1R0MT | 1.0 | 100 | 0.045 | 2.56 |
| CD43-1R5MT | 1.5 | 100 | 0.056 | 2.52 |
| CD43-1R8MT | 1.8 | 100 | 0.063 | 1.95 |
| CD43-2R2MT | 2.2 | 100 | 0.071 | 1.75 |
| CD43-2R7MT | 2.7 | 100 | 0.078 | 1.58 |
| CD43-3R3MT | 3.3 | 100 | 0.086 | 1.44 |
| CD43-3R9MT | 3.9 | 100 | 0.093 | 1.33 |
| CD43-4R7MT | 4.7 | 100 | 0.108 | 1.15 |
| CD43-5R6MT | 5.6 | 100 | 0.125 | 0.99 |
| CD43-6R8MT | 6.8 | 100 | 0.131 | 0.95 |
| CD43-8R2MT | 8.2 | 100 | 0.146 | 0.84 |
| CD43-100MT | 10 | 100 | 0.182 | 1.04 |
| CD43-120MT | 12 | 100 | 0.210 | 0.97 |
| CD43-150MT | 15 | 100 | 0.235 | 0.85 |
| CD43-180MT | 18 | 100 | 0.338 | 0.74 |
| CD43-220MT | 22 | 100 | 0.378 | 0.68 |
| CD43-270MT | 27 | 100 | 0.522 | 0.62 |
| CD43-330MT | 33 | 100 | 0.540 | 0.56 |
| CD43-390MT | 39 | 100 | 0.587 | 0.52 |
| CD43-470MT | 47 | 100 | 0.844 | 0.44 |
| CD43-560MT | 56 | 100 | 0.937 | 0.42 |
| CD43-680MT | 68 | 100 | 1.117 | 0.37 |
| CD43-820MT | 82 | 100 | 1.345 | 0.35 |
| CD43-101KT | 100 | 1 | 1.520 | 0.34 |
| CD43-121KT | 120 | 1 | 1.800 | 0.33 |
| CD43-151KT | 150 | 1 | 2.000 | 0.32 |
| CD43-181KT | 180 | 1 | 3.200 | 0.28 |
| CD43-221KT | 220 | 1 | 3.400 | 0.26 |
| CD43-271KT | 270 | 1 | 3.900 | 0.24 |
| CD43-331KT | 330 | 1 | 5.300 | 0.18 |

Note: Beyond the above specification also could satisfy the special requirement

| Part Number | L(uH) | Test Freq.(KHz) | DCR max.(Ω) | Rated Current(A) |
|-------------|-------|-----------------|-------------|------------------|
| CD53-1R0MT | 1.0 | 100 | 0.030 | 4.50 |
| CD53-1R2MT | 1.2 | 100 | 0.030 | 4.20 |
| CD53-1R5MT | 1.5 | 100 | 0.030 | 4.10 |
| CD53-1R8MT | 1.8 | 100 | 0.030 | 3.70 |
| CD53-2R2MT | 2.2 | 100 | 0.030 | 3.50 |
| CD53-2R7MT | 2.7 | 100 | 0.040 | 3.20 |
| CD53-3R3MT | 3.3 | 100 | 0.050 | 2.80 |
| CD53-3R9MT | 3.9 | 100 | 0.060 | 2.60 |
| CD53-4R7MT | 4.7 | 100 | 0.070 | 2.50 |
| CD53-5R6MT | 5.6 | 100 | 0.080 | 2.40 |
| CD53-6R8MT | 6.8 | 100 | 0.090 | 2.20 |
| CD53-8R2MT | 8.2 | 100 | 0.100 | 2.00 |
| CD53-100MT | 10 | 100 | 0.130 | 1.80 |
| CD53-120MT | 12 | 100 | 0.160 | 1.75 |
| CD53-150MT | 15 | 100 | 0.190 | 1.70 |
| CD53-180MT | 18 | 100 | 0.210 | 1.60 |
| CD53-220MT | 22 | 100 | 0.280 | 1.50 |
| CD53-270MT | 27 | 100 | 0.320 | 1.40 |
| CD53-330MT | 33 | 100 | 0.380 | 1.10 |
| CD53-390MT | 39 | 100 | 0.420 | 1.00 |
| CD53-470MT | 47 | 100 | 0.520 | 0.90 |
| CD53-560MT | 56 | 100 | 0.560 | 0.85 |
| CD53-680MT | 68 | 100 | 0.680 | 0.80 |
| CD53-820MT | 82 | 100 | 0.820 | 0.65 |
| CD53-101KT | 100 | 1 | 1.100 | 0.60 |
| CD53-121KT | 120 | 1 | 1.200 | 0.58 |
| CD53-151KT | 150 | 1 | 1.500 | 0.43 |
| CD53-181KT | 180 | 1 | 1.800 | 0.41 |
| CD53-221KT | 220 | 1 | 2.000 | 0.38 |
| CD53-271KT | 270 | 1 | 2.700 | 0.35 |
| CD53-331KT | 330 | 1 | 3.300 | 0.28 |
| CD53-391KT | 390 | 1 | 3.900 | 0.26 |
| CD53-471KT | 470 | 1 | 4.700 | 0.20 |

Note: Beyond the above specification also could satisfy the special requirement

| Part Number | L(μ H) | Test Freq.(KHz) | DCR max.(Ω) | Rated Current(A) |
|-------------|-------------|-----------------|----------------------|------------------|
| CD54-1R0MT | 1.0 | 100 | 0.015 | 5.90 |
| CD54-1R2MT | 1.2 | 100 | 0.020 | 5.20 |
| CD54-1R5MT | 1.5 | 100 | 0.025 | 4.70 |
| CD54-1R8MT | 1.8 | 100 | 0.030 | 4.00 |
| CD54-2R2MT | 2.2 | 100 | 0.035 | 3.80 |
| CD54-2R7MT | 2.7 | 100 | 0.040 | 3.40 |
| CD54-3R3MT | 3.3 | 100 | 0.045 | 3.30 |
| CD54-3R9MT | 3.9 | 100 | 0.050 | 2.90 |
| CD54-4R7MT | 4.7 | 100 | 0.060 | 2.80 |
| CD54-5R6MT | 5.6 | 100 | 0.070 | 2.40 |
| CD54-6R8MT | 6.8 | 100 | 0.080 | 2.10 |
| CD54-8R2MT | 8.2 | 100 | 0.090 | 2.00 |
| CD54-100MT | 10 | 100 | 0.100 | 1.44 |
| CD54-120MT | 12 | 100 | 0.120 | 1.40 |
| CD54-150MT | 15 | 100 | 0.140 | 1.30 |
| CD54-180MT | 18 | 100 | 0.150 | 1.23 |
| CD54-220MT | 22 | 100 | 0.180 | 1.11 |
| CD54-270MT | 27 | 100 | 0.200 | 0.97 |
| CD54-330MT | 33 | 100 | 0.230 | 0.88 |
| CD54-390MT | 39 | 100 | 0.320 | 0.80 |
| CD54-470MT | 47 | 100 | 0.370 | 0.72 |
| CD54-560MT | 56 | 100 | 0.420 | 0.68 |
| CD54-680MT | 68 | 100 | 0.460 | 0.61 |
| CD54-820MT | 82 | 100 | 0.600 | 0.58 |
| CD54-101KT | 100 | 1 | 0.700 | 0.52 |
| CD54-121KT | 120 | 1 | 0.930 | 0.48 |
| CD54-151KT | 150 | 1 | 1.100 | 0.40 |
| CD54-181KT | 180 | 1 | 1.380 | 0.38 |
| CD54-221KT | 220 | 1 | 1.570 | 0.35 |
| CD54-271KT | 270 | 1 | 1.650 | 0.32 |
| CD54-331KT | 330 | 1 | 1.700 | 0.28 |
| CD54-391KT | 390 | 1 | 1.800 | 0.26 |
| CD54-471KT | 470 | 1 | 2.300 | 0.23 |
| CD54-561KT | 560 | 1 | 2.500 | 0.20 |
| CD54-681KT | 680 | 1 | 3.000 | 0.19 |

Note: Beyond the above specification also could satisfy the special requirement

| Part Number | L(μ H) | Test Freq.(KHz) | DCR max.(Ω) | Rated Current(A) |
|-------------|-------------|-----------------|----------------------|------------------|
| CD75-1R0MT | 1.0 | 100 | 0.030 | 11.2 |
| CD75-1R2MT | 1.2 | 100 | 0.030 | 9.87 |
| CD75-1R5MT | 1.5 | 100 | 0.040 | 8.35 |
| CD75-1R8MT | 1.8 | 100 | 0.040 | 7.12 |
| CD75-2R2MT | 2.2 | 100 | 0.050 | 6.52 |
| CD75-2R7MT | 2.7 | 100 | 0.060 | 6.06 |
| CD75-3R3MT | 3.3 | 100 | 0.060 | 5.26 |
| CD75-3R9MT | 3.9 | 100 | 0.060 | 4.68 |
| CD75-4R7MT | 4.7 | 100 | 0.070 | 4.54 |
| CD75-5R6MT | 5.6 | 100 | 0.070 | 4.25 |
| CD75-6R8MT | 6.8 | 100 | 0.070 | 3.45 |
| CD75-8R2MT | 8.2 | 100 | 0.070 | 3.10 |
| CD75-100MT | 10 | 100 | 0.070 | 2.30 |
| CD75-120MT | 12 | 100 | 0.080 | 2.00 |
| CD75-150MT | 15 | 100 | 0.090 | 1.80 |
| CD75-180MT | 18 | 100 | 0.100 | 1.60 |
| CD75-220MT | 22 | 100 | 0.110 | 1.50 |
| CD75-270MT | 27 | 100 | 0.120 | 1.30 |
| CD75-330MT | 33 | 100 | 0.130 | 1.20 |
| CD75-390MT | 39 | 100 | 0.160 | 1.10 |
| CD75-470MT | 47 | 100 | 0.180 | 1.10 |
| CD75-560MT | 56 | 100 | 0.240 | 0.94 |
| CD75-680MT | 68 | 100 | 0.280 | 0.85 |
| CD75-820MT | 82 | 100 | 0.370 | 0.78 |
| CD75-101KT | 100 | 1 | 0.430 | 0.72 |
| CD75-121KT | 120 | 1 | 0.470 | 0.66 |
| CD75-151KT | 150 | 1 | 0.640 | 0.58 |
| CD75-181KT | 180 | 1 | 0.710 | 0.51 |
| CD75-221KT | 220 | 1 | 0.960 | 0.49 |
| CD75-271KT | 270 | 1 | 1.110 | 0.42 |
| CD75-331KT | 330 | 1 | 1.260 | 0.40 |
| CD75-391KT | 390 | 1 | 1.770 | 0.36 |
| CD75-471KT | 470 | 1 | 1.960 | 0.34 |
| CD75-561KT | 560 | 1 | 2.000 | 0.33 |
| CD75-681KT | 680 | 1 | 2.200 | 0.32 |
| CD75-821KT | 820 | 1 | 2.900 | 0.25 |
| CD75-102KT | 1000 | 1 | 3.600 | 0.23 |

Note: Beyond the above specification also could satisfy the special requirement

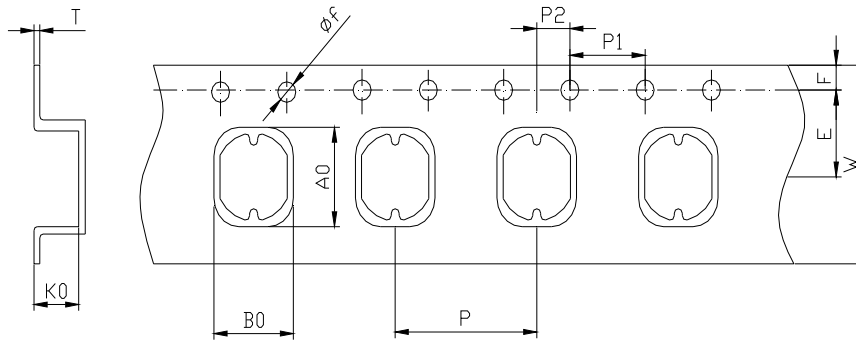
| Part Number | L(uH) | Test Freq.(KHz) | DCR max.(Ω) | Rated Current(A) |
|--------------|-------|-----------------|-------------|------------------|
| CD104F-1R0MT | 1.0 | 100 | 0.008 | 9.00 |
| CD104F-1R5MT | 1.5 | 100 | 0.010 | 8.00 |
| CD104F-2R2MT | 2.2 | 100 | 0.013 | 6.20 |
| CD104F-2R7MT | 2.7 | 100 | 0.014 | 5.60 |
| CD104F-3R9MT | 3.9 | 100 | 0.020 | 5.00 |
| CD104F-4R7MT | 4.7 | 100 | 0.022 | 4.50 |
| CD104F-5R6MT | 5.6 | 100 | 0.025 | 3.80 |
| CD104F-6R8MT | 6.8 | 100 | 0.030 | 3.00 |
| CD104F-8R2MT | 8.2 | 100 | 0.040 | 2.60 |
| CD104F-100MT | 10 | 100 | 0.053 | 2.38 |
| CD104F-120MT | 12 | 100 | 0.061 | 2.13 |
| CD104F-150MT | 15 | 100 | 0.070 | 1.87 |
| CD104F-180MT | 18 | 100 | 0.081 | 1.73 |
| CD104F-220MT | 22 | 100 | 0.088 | 1.60 |
| CD104F-270MT | 27 | 100 | 0.100 | 1.44 |
| CD104F-330MT | 33 | 100 | 0.120 | 1.26 |
| CD104F-390MT | 39 | 100 | 0.151 | 1.20 |
| CD104F-470MT | 47 | 100 | 0.170 | 1.10 |
| CD104F-560MT | 56 | 100 | 0.199 | 1.01 |
| CD104F-680MT | 68 | 100 | 0.223 | 0.91 |
| CD104F-820MT | 82 | 100 | 0.252 | 0.85 |
| CD104F-101KT | 100 | 1 | 0.344 | 0.74 |
| CD104F-121KT | 120 | 1 | 0.394 | 0.69 |
| CD104F-151KT | 150 | 1 | 0.544 | 0.61 |
| CD104F-181KT | 180 | 1 | 0.621 | 0.56 |
| CD104F-221KT | 220 | 1 | 0.721 | 0.53 |
| CD104F-271KT | 270 | 1 | 0.949 | 0.45 |
| CD104F-331KT | 330 | 1 | 1.100 | 0.42 |
| CD104F-391KT | 390 | 1 | 1.245 | 0.38 |
| CD104F-471KT | 470 | 1 | 1.526 | 0.35 |
| CD104F-561KT | 560 | 1 | 1.904 | 0.32 |
| CD104F-681KT | 680 | 1 | 2.200 | 0.30 |
| CD104F-821KT | 820 | 1 | 2.600 | 0.28 |
| CD104F-102KT | 1000 | 1 | 3.000 | 0.26 |

Note: Beyond the above specification also could satisfy the special requirement

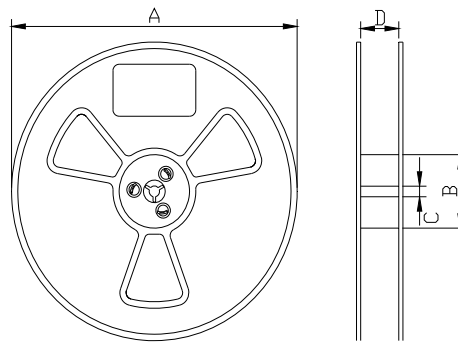
| Part Number | L(uH) | Test Freq.(KHz) | DCR max.(Ω) | Rated Current(A) |
|--------------|-------|-----------------|-------------|------------------|
| CD105F-1R0MT | 1.2 | 100 | 0.008 | 10.50 |
| CD105F-1R5MT | 1.5 | 100 | 0.010 | 9.50 |
| CD105F-2R2MT | 2.2 | 100 | 0.013 | 8.50 |
| CD105F-3R3MT | 3.3 | 100 | 0.015 | 7.50 |
| CD105F-4R7MT | 3.9 | 100 | 0.018 | 6.80 |
| CD105F-6R8MT | 4.7 | 100 | 0.020 | 6.00 |
| CD105F-5R6MT | 5.6 | 100 | 0.025 | 5.00 |
| CD105F-6R8MT | 6.8 | 100 | 0.030 | 4.20 |
| CD105F-8R2MT | 8.2 | 100 | 0.050 | 3.50 |
| CD105F-100MT | 10 | 100 | 0.060 | 2.60 |
| CD105F-120MT | 12 | 100 | 0.070 | 2.45 |
| CD105F-150MT | 15 | 100 | 0.080 | 2.27 |
| CD105F-180MT | 18 | 100 | 0.090 | 2.15 |
| CD105F-220MT | 22 | 100 | 0.100 | 1.95 |
| CD105F-270MT | 27 | 100 | 0.110 | 1.76 |
| CD105F-330MT | 33 | 100 | 0.120 | 1.50 |
| CD105F-390MT | 39 | 100 | 0.140 | 1.37 |
| CD105F-470MT | 47 | 100 | 0.170 | 1.28 |
| CD105F-560MT | 56 | 100 | 0.190 | 1.17 |
| CD105F-680MT | 68 | 100 | 0.220 | 1.11 |
| CD105F-820MT | 82 | 100 | 0.250 | 1.00 |
| CD105F-101KT | 100 | 1 | 0.350 | 0.97 |
| CD105F-121KT | 120 | 1 | 0.400 | 0.89 |
| CD105F-151KT | 150 | 1 | 0.470 | 0.78 |
| CD105F-181KT | 180 | 1 | 0.630 | 0.72 |
| CD105F-221KT | 220 | 1 | 0.730 | 0.66 |
| CD105F-271KT | 270 | 1 | 0.970 | 0.57 |
| CD105F-331KT | 330 | 1 | 1.150 | 0.52 |
| CD105F-391KT | 390 | 1 | 1.300 | 0.48 |
| CD105F-471KT | 470 | 1 | 1.480 | 0.42 |
| CD105F-561KT | 560 | 1 | 1.900 | 0.33 |
| CD105F-681KT | 680 | 1 | 2.250 | 0.28 |
| CD105F-821KT | 820 | 1 | 2.550 | 0.24 |
| CD105F-102KT | 1000 | 1 | 2.700 | 0.20 |

Note: Beyond the above specification also could satisfy the special requirement

CD Series Packaging



| SIZE | A0 | B0 | E | F | f | P | P1 | P2 | W | T | K0 |
|--------|------|-----|------|------|-----|----|----|----|----|-----|-----|
| CD32 | 3.7 | 3.3 | 5.5 | 1.75 | 1.5 | 8 | 4 | 2 | 12 | 0.4 | 2.4 |
| CD43 | 4.8 | 4.3 | 5.5 | 1.75 | 1.5 | 8 | 4 | 2 | 12 | 0.4 | 3.7 |
| CD53 | 6.0 | 5.4 | 5.5 | 1.75 | 1.5 | 8 | 4 | 2 | 12 | 0.4 | 3.7 |
| CD54 | 6.0 | 5.4 | 5.5 | 1.75 | 1.5 | 8 | 4 | 2 | 12 | 0.4 | 4.7 |
| CD75 | 8.0 | 7.3 | 7.5 | 1.75 | 1.5 | 12 | 4 | 2 | 16 | 0.4 | 5.3 |
| CD104F | 10.3 | 9.4 | 11.5 | 1.75 | 1.5 | 12 | 4 | 2 | 24 | 0.4 | 4.6 |
| CD105F | 10.3 | 9.4 | 11.5 | 1.75 | 1.5 | 12 | 4 | 2 | 24 | 0.4 | 5.8 |



| SIZE | A | B | C | D | Reel/PCS |
|--------|-----|-----|----|------|----------|
| CD32 | 330 | 100 | 13 | 12.5 | 3000 |
| CD43 | 330 | 100 | 13 | 12.5 | 2000 |
| CD53 | 330 | 100 | 13 | 12.5 | 2000 |
| CD54 | 330 | 100 | 13 | 12.5 | 1500 |
| CD75 | 330 | 100 | 13 | 16.5 | 1000 |
| CD104F | 330 | 100 | 13 | 24.5 | 1000 |
| CD105F | 330 | 100 | 13 | 24.5 | 1000 |

Note: Beyond the above specification also could satisfy the special requirement