

General Description

The LA 431 is a low voltage three terminal adjustable shunt regulator with a guaranteed thermal stability over applicable temperature ranges. The output voltage can be set to any value between 2.495V (VREF) to 36V with two external resistors (please refer application circuit). The high precise Reference voltage tolerance is available in two grades: $\pm 0.4\%$ and $\pm 1.0\%$. This device has a typical minimum cathode current of 0.1 mA. Active output circuitry provides a very sharp turn on characteristic, making this device excellent replacement for Zener diodes in many applications.

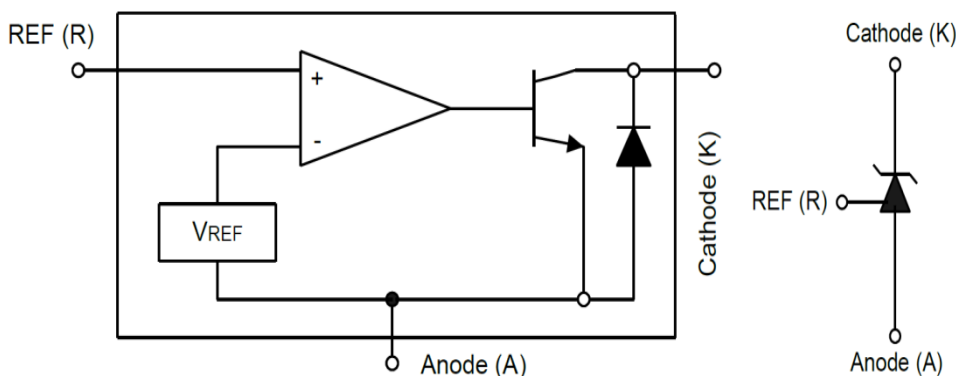
Features

- Precision reference voltage :
 - LA431O : 2.495V $\pm 0.4\%$
 - LA431N : 2.495V $\pm 1.0\%$
- Adjustable output voltage is VREF to 36V
- Sink current capability is 120mA
- Low dynamic output impedance is 0.2 Ω (typ.)
- Minimum Cathode current for regulation is 0.1mA (typ.)
- Plastic material has UL flammability classification 94V-0

Applications

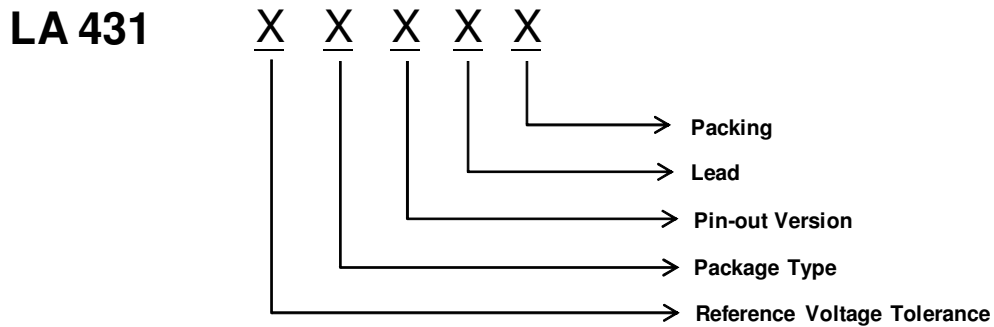
- Switching Mode Power Supply
- Voltage Reference Application

Block Diagram & Symbol



Please be aware that an **Important Notice** concerning availability, disclaimers, and use in critical applications of LSC products is at the end of this document.

Ordering Information

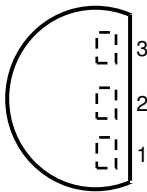


Reference Voltage Tolerance	Package Type	Pin-out Version		Lead	Packing
O : ±0.4% N : ±1.0%	H : TO92-3L C : SOT23-3L	Blank (TO92-3L)	1. REF 2. ANODE 3. CATHODE	P : RoHS & Halogen Free (ref. IEC 61249-2-21)	A : Tape & Reel
		A (SOT23-3L)	1. CATHODE 2. REF 3. ANODE		
		R (SOT23-3L)	1. REF 2. CATHODE 3. ANODE		

Product Number	Output Voltage Tolerance	Package	Lead	Packing
LA431OHPA	0.4 %	TO92-3L	RoHS& Halogen Free	Taping
LA431NHPA	1.0 %	TO92-3L	RoHS& Halogen Free	Taping
LA431OCAPA	0.4 %	SOT23-3L	RoHS& Halogen Free	Taping & Reel
LA431NCAPA	1.0 %	SOT23-3L	RoHS& Halogen Free	Taping & Reel
LA431OCRPA	0.4 %	SOT23-3L	RoHS& Halogen Free	Taping & Reel
LA431NCRPA	1.0 %	SOT23-3L	RoHS& Halogen Free	Taping & Reel

Pin Assignment

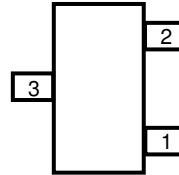
TO92-3L
(Top View)



LA431OHPA
LA431NHPA

1.R
2.A
3.C

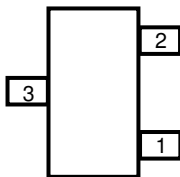
SOT23-3L
(Top View)



LA431OCAPA
LA431NCAPA

1.C
2.R
3.A

SOT23-3L
(Top View)



LA431OCRPA
LA431NCRPA

1.R
2.C
3.A

Pin Descriptions

Pin Name	Pin Description
R	Ref
A	Anode
C	Cathode

Absolute Maximum Ratings(at $T_A=25^\circ\text{C}$)

Note: Operate over the “Absolute Maximum Ratings” may cause permanent damage to the device.
Exposure to such conditions for extended time may still affect the reliability of the device.

Characteristics		Symbol	Rating	Unit
Cathode Voltage		V_{KA}	40	V
Continuous Cathode Current		I_{KA}	120	mA
Reference Input Current		I_{REF}	10	mA
Junction Temperature		T_J	150	$^\circ\text{C}$
Storage Temperature		T_{STG}	-40~150	$^\circ\text{C}$
Thermal Resistance (Junction to Case)	SOT23-3L	θ_{jc}	110	$^\circ\text{C/W}$
	TO92-3L		80	
Thermal Resistance (Junction to Ambient)	SOT23-3L	θ_{ja}	350	$^\circ\text{C/W}$
	TO92-3L		150	
Power dissipation	SOT23-3L	P_D	285	mW
	TO92-3L		625	
Moisture Sensitivity		MSL	Please refer the MSL label on the IC package bag/carton for detail	

Note1: Ratings apply to ambient temperature at 25°C

Recommended Operating Conditions

Characteristics	Symbol	Min	Max	Unit
Cathode Voltage	V_{KA}	V_{REF}	36	V
Cathode Current	I_{KA}	0.3	100	mA
Operating Temperature (Operating free-air temperature)	T_A	-40	125	$^\circ\text{C}$

Electrical Characteristics

(T_A=25 °C, unless otherwise specified)

Characteristics	Symbol	Conditions	Min	Typ	Max	Unit	
Reference Voltage	V _{REF}	V _{KA} = V _{REF} , I _{KA} = 1mA (Fig.1)	0.4 %	2.485	2.495	2.505	V
			1.0 %	2.470		2.520	
Deviation of Reference Input Voltage over full temperature Range (*Note 2)	V _{REF(DEV)}	V _{KA} = V _{REF} , I _{KA} = 10mA, T _A = -20~85°C (Fig.1)		20	30	mV	
		V _{KA} = V _{REF} , I _{KA} = 10mA, T _A = -40~125°C (Fig.1)		25	35		
Reference Input Current	I _{REF}	R1 = 10KΩ, R2 = ∞, I _{KA} = 10mA (Fig.2)		1.5	3.5	uA	
Deviation of Reference Input Current over Temperature (*Note 2)	I _{REF(DEV)}	R1 = 10KΩ, R2 = ∞, I _{KA} = 10mA T _A = -40~125°C (Fig.2)		0.4	1.2	uA	
Ratio of the Change in Reference Voltage to the Change in Cathode Voltage	ΔV _{REF} / ΔV _{KA}	I _{KA} = 10mA (Fig.2)	V _{KA} = 10V ~V _{REF}	-1.2	-2.0	mV/V	
			V _{KA} = 36V ~10V	-1	-2.0		
Minimum Cathode Current for Regulation	I _{KA(min)}	V _{KA} = V _{REF} (Fig.1)		0.1	0.3	mA	
Off-state Cathode Current	I _{KA(OFF)}	V _{KA} = 36V, V _{REF} = 0V (Fig.3)		0.1	1	uA	
Dynamic Output Impedance	Z _{KA}	V _{KA} = V _{REF} Frequency ≤ 1KHz (Fig.1)		0.2	0.5	Ω	

Note 2 : These specifications are guaranteed by design and are not tested when in mass-production.

Application Circuit

Fig1: $V_{KA}=V_{REF}$

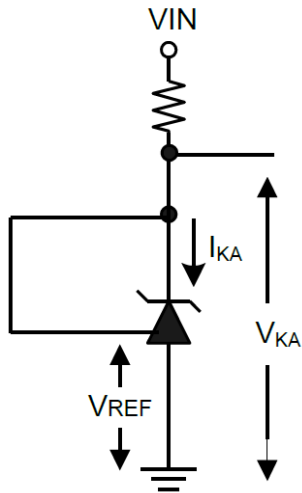


Fig2: $V_{KA}>V_{REF}$

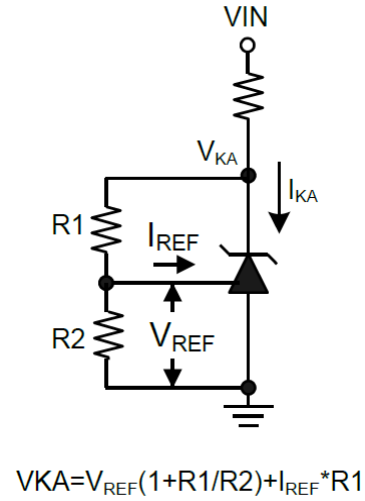
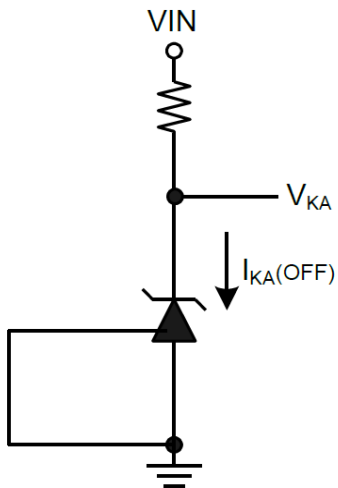
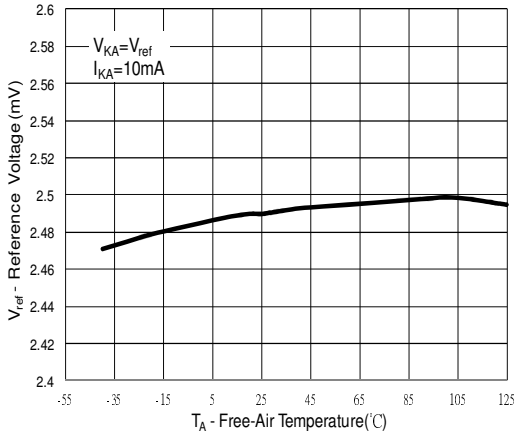


Fig3: Off state current

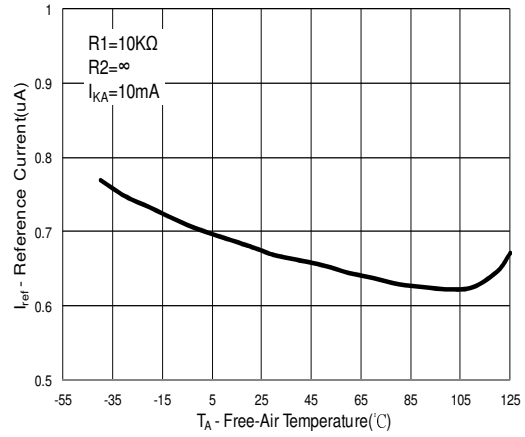


Typical Characteristics

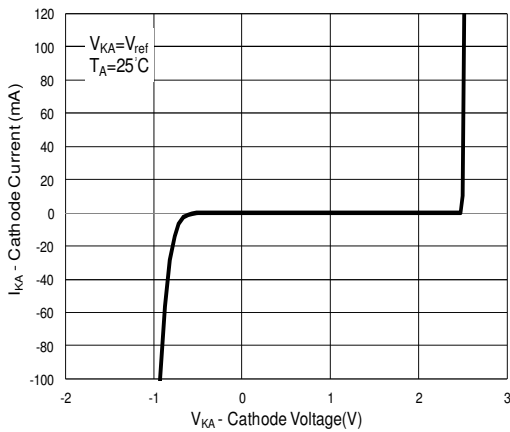
REFERENCE VOLTAGE VS. FREE-AIR TEMPERATURE



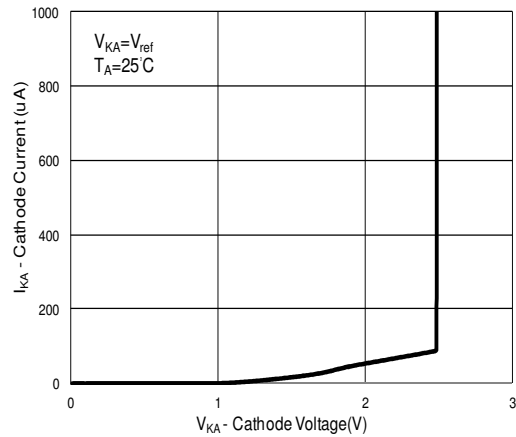
REFERENCE CURRENT VS. FREE-AIR TEMPERATURE



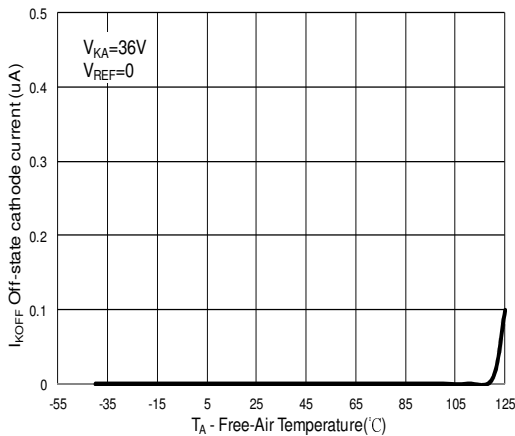
CATHODE CURRENT VS. CATHODE VOLTAGE



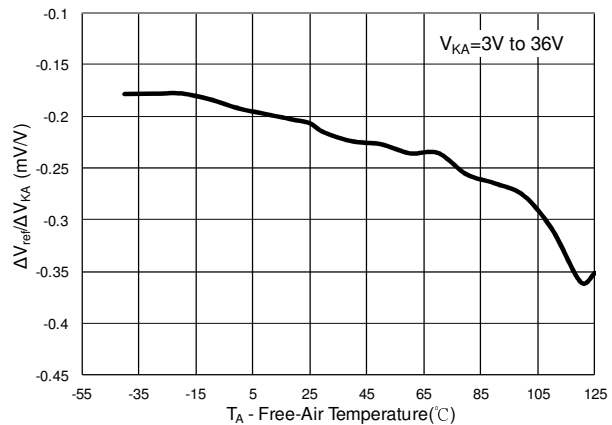
CATHODE CURRENT VS. CATHODE VOLTAGE



OFF-STATE CATHODE CURRENT VS. FREE-AIR TEMPERATURE

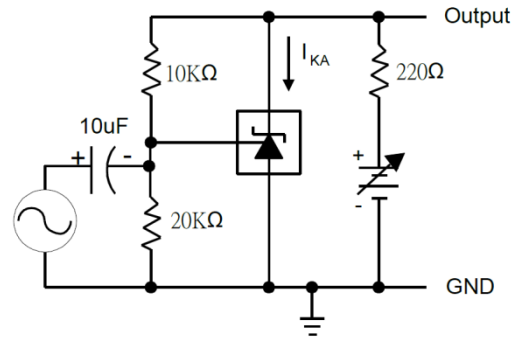
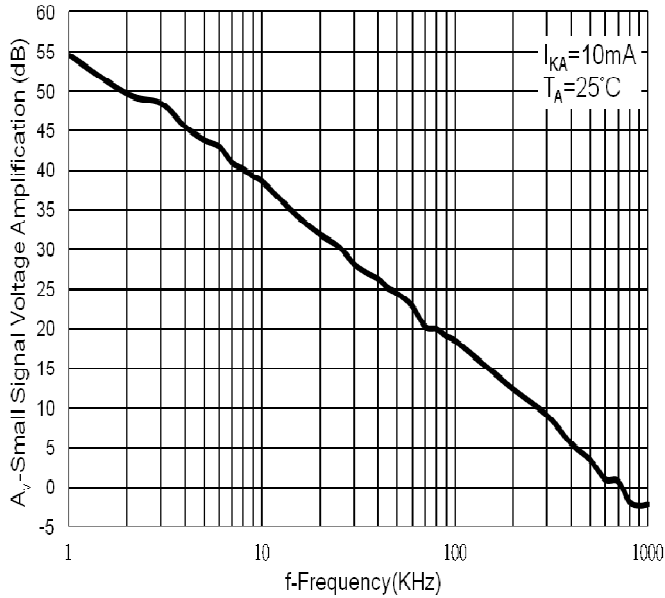


RATIO OF DELTA REFERENCE VOLTAGE TO DELTA CATHODE VOLTAGE VS. FREE-AIR TEMPERATURE



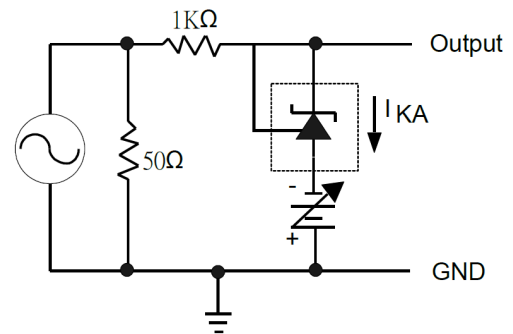
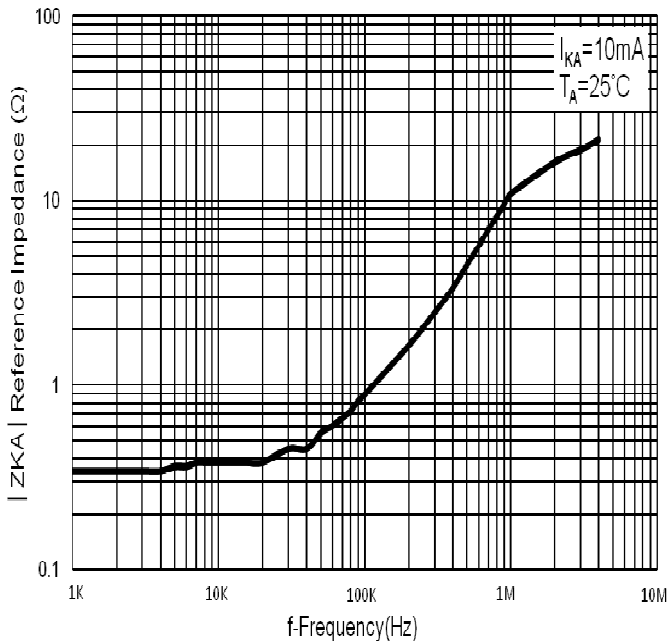
Typical Characteristics(Continued)

(1) Small Signal Voltage Amplification Vs Frequency



Test Circuit For Voltage Amplification

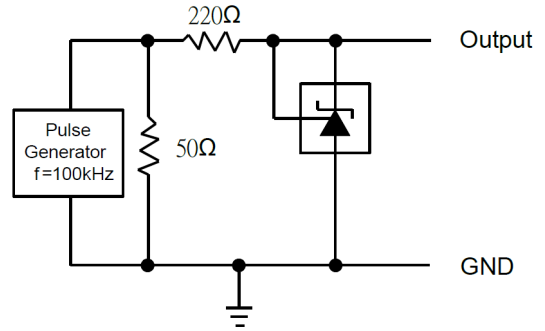
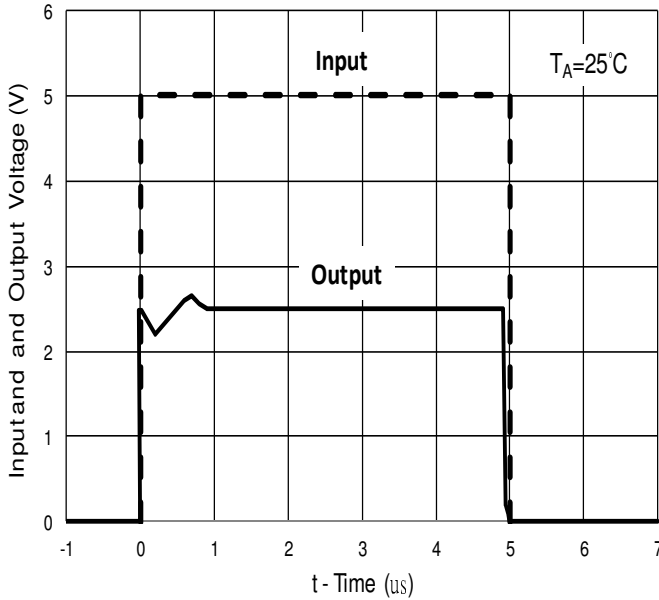
(2) Reference Impedance VS Frequency



Test Circuit For Reference Impedance

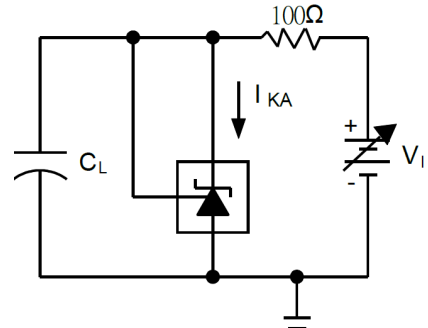
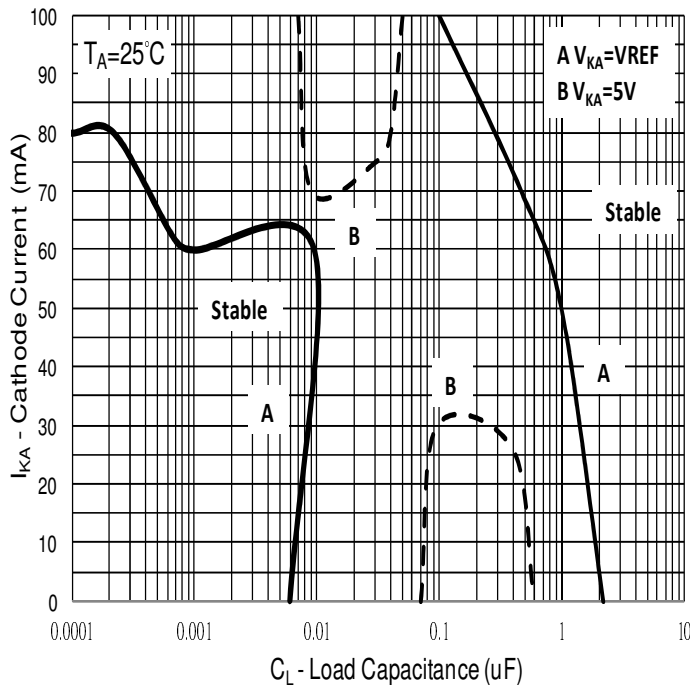
Typical Characteristics (Continued)

(3) Pulse Response

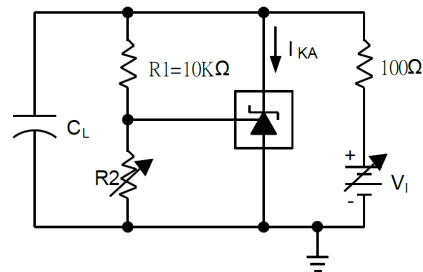


Test Circuit For Pulse Response

(4) Stability boundary conditions



Test Circuit For Curve A

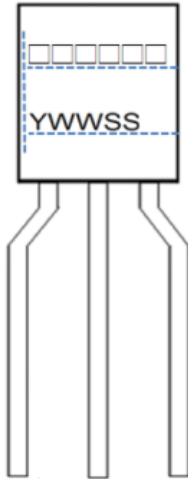


Test Circuit For Curve B

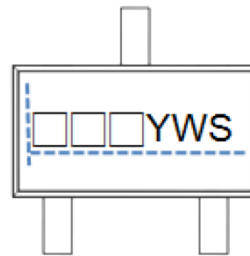
Marking Information (NEW)

Effective Date: 2015/11/1

(1) TO92-3L



(2) SOT23-3L



1) YWWSS = Date Code,

Y: Year

WW: Week

SS: Internal control code

1) YWS = Date Code,

Y: Year

W: Week

S: Internal control code

2) □□□□□□ = Marking Number

LA431OHPA: 431OHP

LA431NHPA: 431NHP

2) □□□ = Marking Number

LA431OCAPA: OAA

LA431NCAPA: NAA

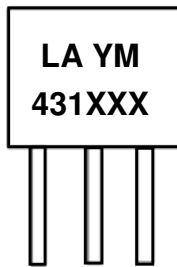
LA431OCRPA: OAR

LA431NCRPA: NAR

Marking Information (OLD)

Before 2015/10/31 (included) production, the marking code of parts were used as below.

(1) TO92-3L



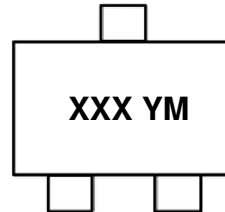
1) YM = Date Code,
Y: Year, M: Month

2) 431xxx = Marking Number

LA431OHPA: 431OHP

LA431NHPA: 431NHP

(2) SOT23-3L



1) YM = Date Code,
Y: Year, M: Month

2) xxx = Marking Number

LA431OCAPA: OAA

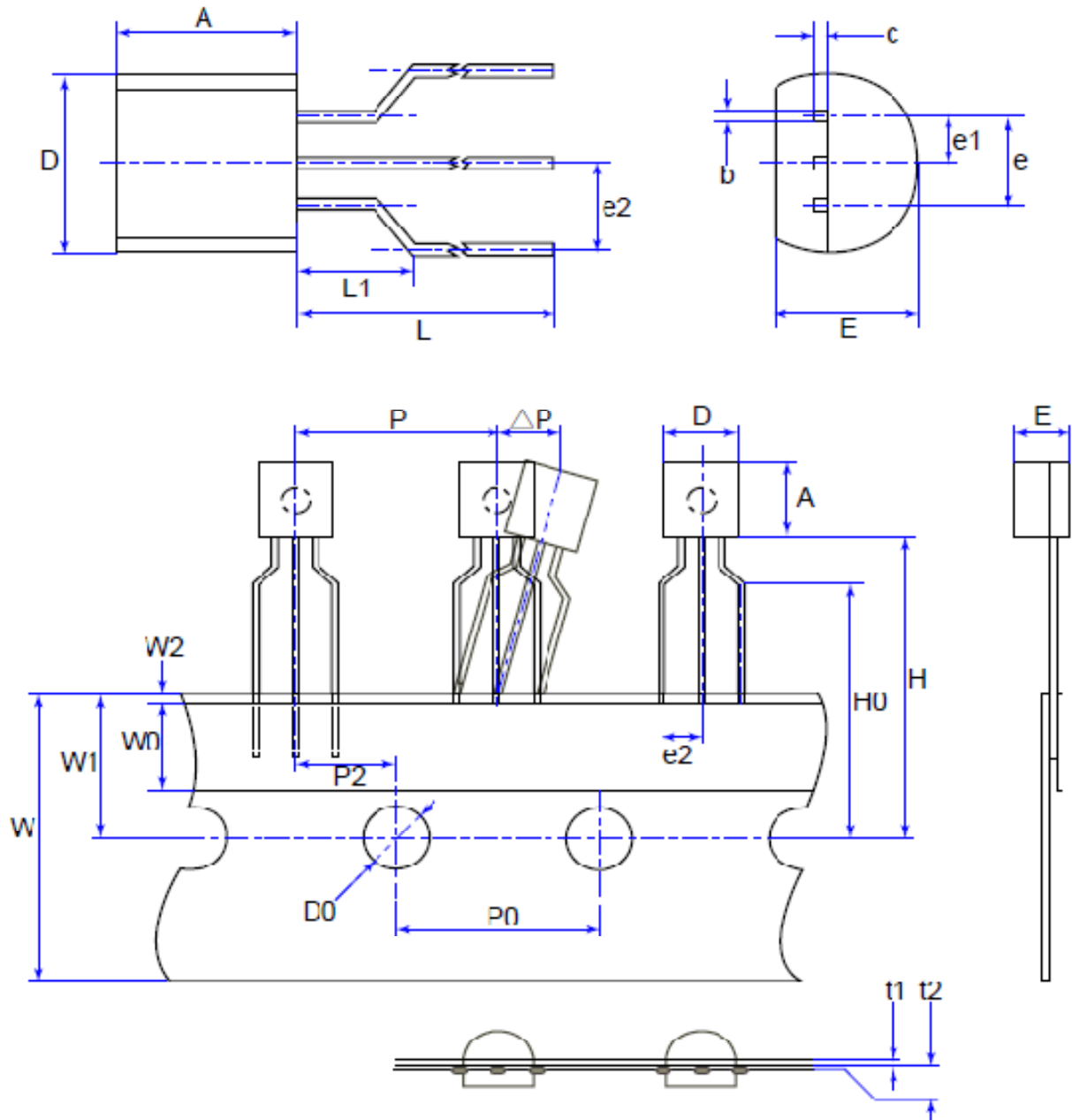
LA431NCAPA: NAA

LA431OCRPA: OAR

LA431NCRPA: NAR

Mechanical Information

(1) Package type: TO92-3L



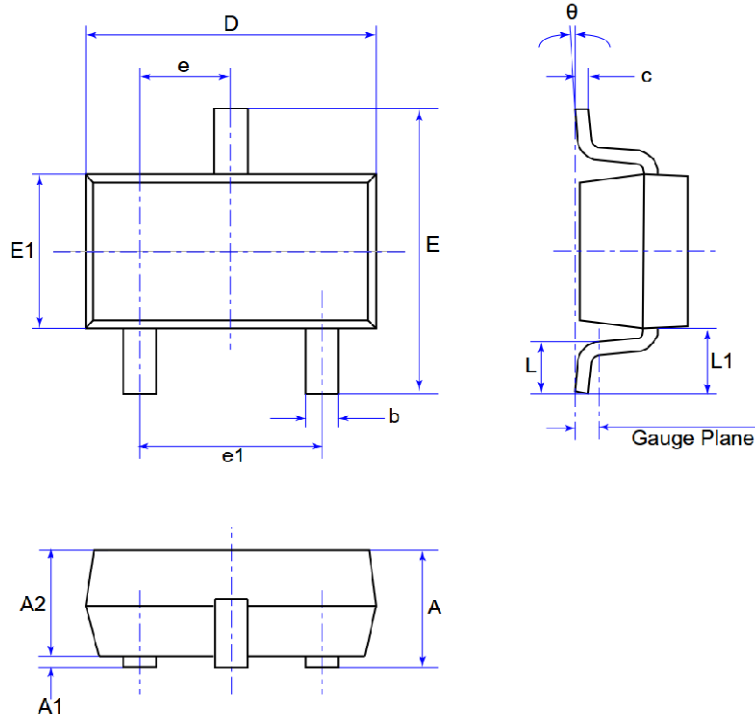
Mechanical Information (Continued)

Unit: mm

Symbol	Min	Max
A	4.30	4.70
b	0.38	0.55
c	0.36	0.51
D	4.30	4.70
D0	3.80	4.20
E	3.30	3.70
e	2.44	2.64
e1	1.27 TYP	
e2	2.20	2.96
H	18.00	21.00
H0	15.50	16.50
L	12.70	-
L1	2.50	4.50
P	12.40	13.00
P0	12.50	12.90
P2	6.05	6.65
t1	0.35	0.45
t2	0.15	0.25
W	17.50	19.00
W0	5.50	6.50
W1	8.50	9.50
W2	-	1.00
△P	-	1.00

Mechanical Information (Continued)

(2) Package type: SOT23-3L



Unit: mm

Symbol	Min	Max
A	0.90	1.15
A1	-	0.10
A2	0.89	1.05
b	0.30	0.50
c	0.07	0.18
D	2.80	3.04
E	2.10	2.64
E1	1.20	1.40
e	0.95 REF	
e1	1.80	2.00
L	0.30	0.50
L1	0.55 REF	
Gauge Plane	0.25 BSC	
θ	0°	8°

MSL (Moisture Sensitive Level) Information

IPC/JEDEC J-STD-020D.1 Moisture Sensitivity Levels Table

LEVEL	FLOOR LIFE		SOAK REQUIREMENTS				
			Standard		Accelerated Equivalent ¹		CONDITION
	eV 0.40-0.48	eV 0.30-0.39					
TIME	CONDITION	TIME (hours)	CONDITION	TIME (hours)	TIME (hours)		
1	Unlimited	≤30 °C /85% RH	168 +5/-0	85 °C /85% RH	NA	NA	NA
2	1 year	≤30 °C /60% RH	168 +5/-0	85 °C /60% RH	NA	NA	NA
2a	4 weeks	≤30 °C /60% RH	696 ² +5/-0	30 °C /60% RH	120 -1/+0	168 -1/+0	60 °C/ 60% RH
3	168 hours	≤30 °C /60% RH	192 ² +5/-0	30 °C /60% RH	40 -1/+0	52 -1/+0	60 °C/ 60% RH
4	72 hours	≤30 °C /60% RH	96 ² +2/-0	30 °C /60% RH	20 +0.5/-0	24 +0.5/-0	60 °C/ 60% RH
5	48 hours	≤30 °C /60% RH	72 ² +2/-0	30 °C /60% RH	15 +0.5/-0	20 +0.5/-0	60 °C/ 60% RH
a	24 hours	≤30 °C /60% RH	48 ² +2/-0	30 °C /60% RH	10 +0.5/-0	13 +0.5/-0	60 °C/ 60% RH
6	Time on Label (TOL)	≤30 °C /60% RH	TOL	30 °C /60% RH	NA	NA	NA

Note 1: CAUTION - To use the “accelerated equivalent” soak conditions, correlation of damage response (including electrical, after soak and reflow), should be established with the “standard” soak conditions. Alternatively, if the known activation energy for moisture diffusion of the package materials is in the range of 0.40 - 0.48 eV or 0.30 - 0.39 eV, the “accelerated equivalent” may be used. Accelerated soak times may vary due to material properties (e.g .mold compound, encapsulant, etc.). JEDEC document JESD22-A120 provides a method for determining the diffusion coefficient.

Note 2: The standard soak time includes a default value of 24 hours for semiconductor manufacturer’s exposure time (MET) between bake and bag and includes the maximum time allowed out of the bag at the distributor’s facility. If the actual MET is less than 24 hours the soak time may be reduced. For soak conditions of 30 °C/60% RH, the soak time is reduced by 1 hour for each hour the MET is less than 24 hours. For soak conditions of 60 °C/60% RH, the soak time is reduced by 1 hour for each 5 hours the MET is less than 24 hours. If the actual MET is greater than 24 hours the soak time must be increased. If soak conditions are 30 °C/60% RH, the soak time is increased 1 hour for each hour that the actual MET exceeds 24 hours. If soak conditions are 60 °C/60% RH, the soak time is increased 1 hour for each 5 hours that the actual MET exceeds 24 hours.

Important Notice and Disclaimer

LSC reserves the right to make changes to this document and its products and specifications at any time without notice. Customers should obtain and confirm the latest product information and specifications before final design, purchase or use.

LSC makes no warranty, representation or guarantee regarding the suitability of its products for any particular purpose, nor does LSC assume any liability for application assistance or customer product design. LSC does not warrant or accept any liability with products which are purchased or used for any unintended or unauthorized application.

No license is granted by implication or otherwise under any intellectual property rights of LSC.

LSC products are not authorized for use as critical components in life support devices or systems without express written approval of LSC.