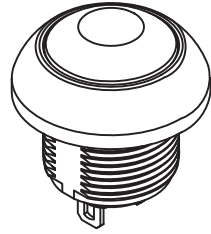
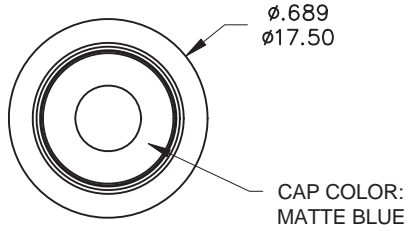


本公司智慧財產，未經同意不得複製
DAILYWELL copyright, may not be used
without permission from DAILYWELL



MATERIALS

CAP: Polyamide 6/6.
PLUNGER: PC.
RUBBER: Silicone.
BUSHING: Polyamide 6/6.
CASE: Diallyl phthalate (DAP)(UL94v-0).
TERMINAL/CONTACTS: Gold over silver plated.
RoHS & Lead Free

	PART NO.	PART NAME	Q'TY
1	MNU- PA03	M12 X 0.75 NUT	1
2	MNU-1M09	LOCKING WASHER	1
3	FCP-A253	O-RING	1

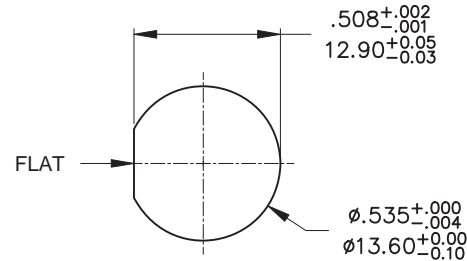
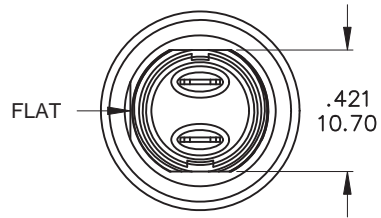
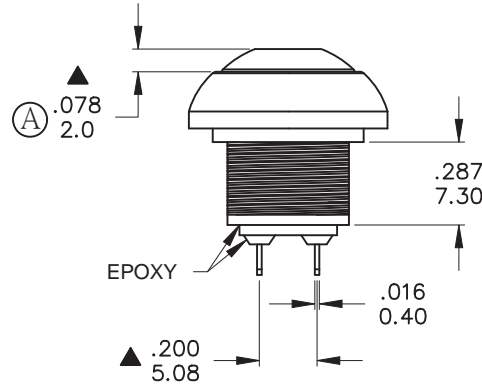
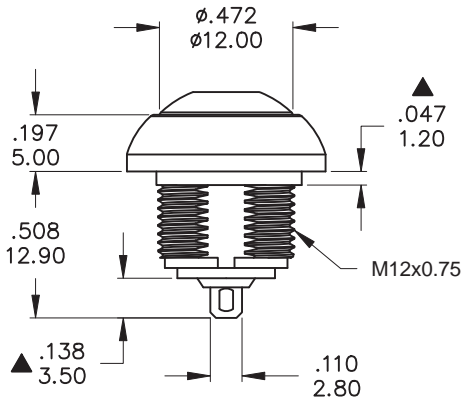
FILE NAME:HARDWARE-0085

Model No.	POS.1	POS.2
PFS6	OFF	MOM(ON)
CONNECTED TERMINALS	OPEN	CLOSE
SCHEMATIC		

SWITCH FUNCTION

SPECIFICATIONS

Max. current/voltage rating with resistive load:
400mA 32VAC - 200 mA 50VDC - 125 mA 125VAC.
INITIAL CONTACT RESISTANCE: 50 mΩ max.
INSULATION RESISTANCE: 1 GΩ min. at 500VDC.
DIELECTRIC STRENGTH: 1,500 VAC rms.
ELECTRICAL LIFE AT FULL LOAD: 500,000 cycles.
TOTAL TRAVEL: 1.5 mm(.059).
OPERATING FORCE: 3N~6N.
CONTACT BOUNCE: 10 ms.
MECHANICAL LIFE: 1,000,000 cycles.
TORQUE: 0.5 Nm max. applied to nut.
SOLDERING: 350°C max. for 5 seconds.
OPERATING TEMPERATURE: -30°C to 85°C.
DEGREE OF PROTECITON: IP68



PANEL CUT-OUT

THICKNESS: 1.5 mm ~ 4.0 mm

德利威電子股份有限公司
DAILYWELL ELECTRONICS CO.,LTD.

	符號	原尺寸	修改後尺寸	變更日期
1	Ⓐ	0.78 inch	.078 inch	FEB-23-2018
2	Ⓑ			
3	Ⓒ			
4	Ⓓ			
5	Ⓔ			

SCALE (比例) : 3 : 2
TOLERANCE (公差) :
0.00 mm ± 0.25mm
0.0 mm ± 0.40mm
ANGULAR : ± 5°
FILE NAME : PFSP0085

TITLE 圖名		Sub - Miniature Pushbutton Switches		SIZE 圖紙	A4
DWG NO. 圖號		PFS6B207MM1CAS05L00		UNIT 單位	inch mm
REV. 版本	B	DATE 日期	FEB - 05 - 2018	SHEET 張數	1 of 1
CHECKED BY 審核			DRAWN BY 製圖	IRENE	