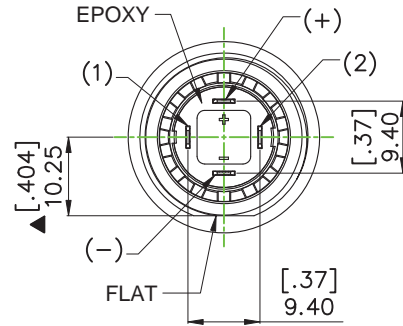
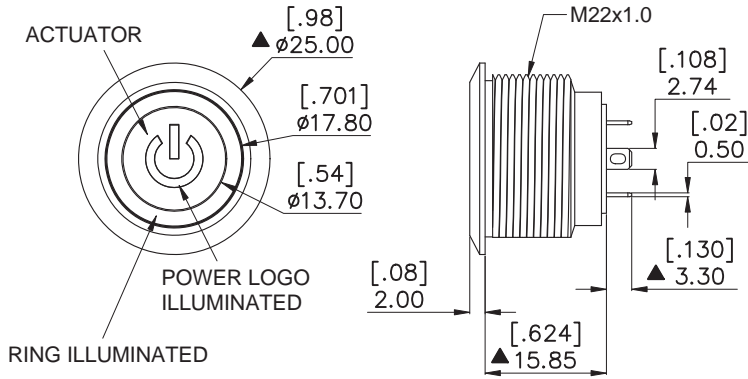


本公司智慧財產，未經同意不得複製
DAILYWELL copyright, may not be used
without permission from DAILYWELL

MPS22- A0 X F P - X-JR-XV



Body Material & color	
A0	Stainless / Natural

Body type	
1	Double flated
2	NON-Flat
3	D Shape

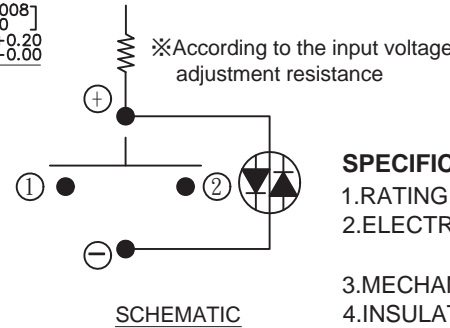
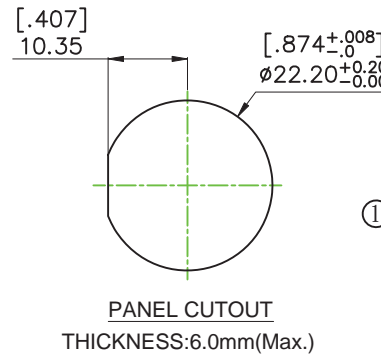
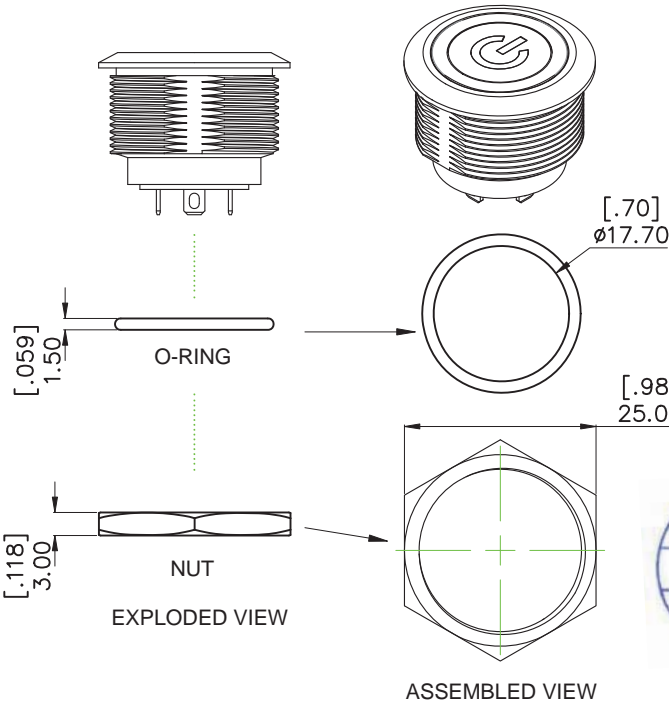
Button type	
F	Flat

Light type	
P	Power Logo & Ring

Resistance (About LED Voltage)	
0	Without Resistance
3	LED input 3VDC, 47Ω ※Red & Yollow LED type only
6	LED input 6VDC, 180Ω
12	LED input 12 VDC, 470Ω
24	LED input 24 VDC, 1000Ω

※ ohms value of resistance tolerance: ±5%

LED Color	
0	Without LED
1	White
3	Red
5	Yellow
6	Green
7	Blue



SPECIFICATIONS

- 1.RATING: 2A/36VDC.
- 2.ELECTRICAL LIFE: 200,000 MAKE-AND-BREAK CYCLES AT FULL LOAD.
- 3.MECHANICAL LIFE: 1,000,000. CYCLES
- 4.INSULATION RESISTANCE:1,000MΩ MIN AT 500VDC .
- 5.DIELECTRIC STRENGTH: 2,000V RMS@sea level.
- 6.CONTACT RESISTANCE: 50mΩ MAX. @1A 12VDC(initial value).
- 7.OPERATING TEMPERATURE: -20°C to 70°C.
- 8.TRAVEL: ABOUT 1.8mm.
- 9.OPERATION PRESSURE: 4.5±1.5N.
- 10.INGRESS PROTECTION: IP67,IK10(Stainless).
- 11.TORQUE: 1~3Nm.
- 12.CURRENT LIMITING RESISTOR IS REQUIRED TO LIMIT LED FORWARD CURRENT TO 20mA.

MATERIAL:

- BUSHING: Stainless Steel.
- BASE: PA66,White UL-94V0
- ACTUATOR: PC,Translucent. UL-94V2
Stainless Steel.
- INNER ASSEMBLY: PC,Transparent UL-94V2.
- SPRING: Spring steel.
- SEALING: Silicone,Translucent.
- O-Ring:Silicone.
- TERMINAL: Brass ,Gold flash plated.
- HEX NUT: Brass,Nickel plated.
- CONTACT: Brass,Sliver alloy.



德利威電子股份有限公司
DAILYWELL ELECTRONICS CO.,LTD.

符號	原尺寸	修改後尺寸	變更日期	SCALE (比例) : 1 : 1	TITLE 圖名	SHORT METAL PUSHBUTTON SWITCH	SIZE 圖紙	
1 (A)				TOLERANCE (公差) : 0.00mm±0.25mm 0.0mm±0.40mm ANGULAR: ±2° FILE NAME : MPS22-0017	DWG NO. 圖號	MPS22-A03FP-3-JR-3V	A4	
2 (B)					REV. 版本	A	DATE 日期	JUL - 15 - 2019
3 (C)					APPROVE 審核	願睿豐	CHECK 確認	林昆鴻
4 (D)					DRAW 製圖	IRENE	SHEET 張數	1 of 1
5 (E)								