

CATEGORY	CONNECTOR	DESCRIPTION	沉板H=8.45全塑无灯	P/N #	MJ88-XX11-HRWVS1-X
----------	-----------	-------------	--------------	-------	--------------------

料号由原 MJ88-BX11-HRWVS1  
变更为 MJ88-XX11-HRWVS1-X

REV.	ECN NO	DESCRIPTION	REVISED	DATE
A04		区分卷带包装方式	XSY	2017.12.28
A05		增加塑胶材质选项	XSY	2018.06.01

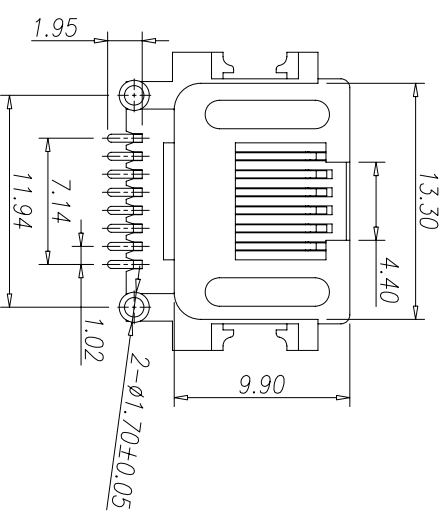
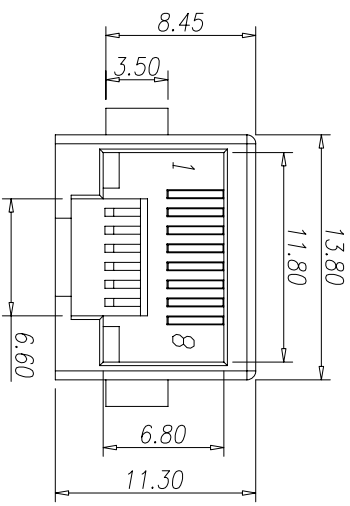
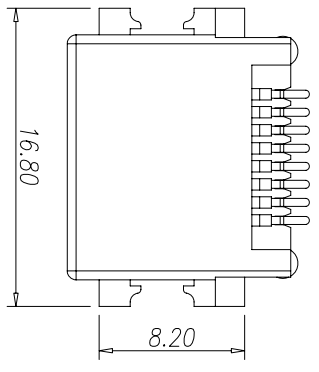
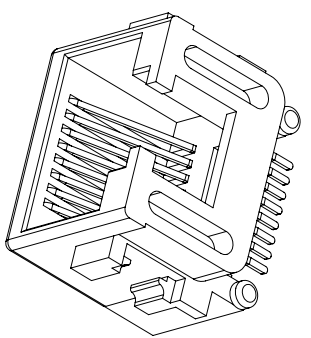
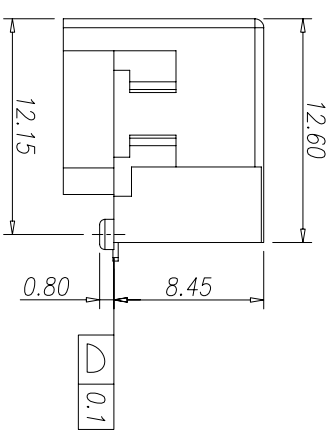


Table 1

X	Color	housing Material
B	Black	LCP UL94V-0
U	Blue CX018	PA9T UL94V-0

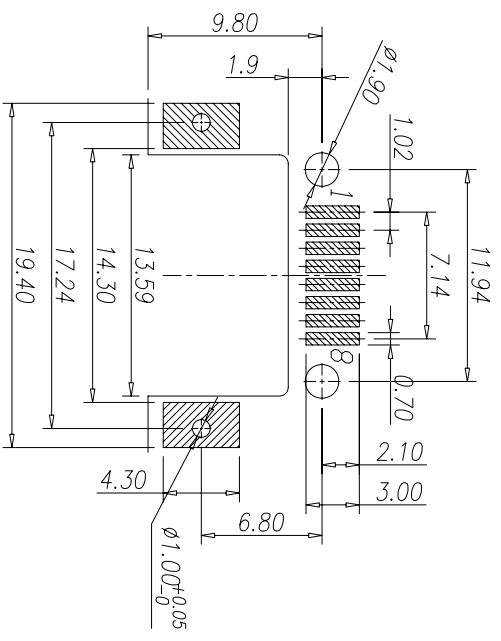
X	Terminal Plating
0	Au 1u" Plating
1	Au 3u" Plating
2	Au 6u" Plating
3	Au 15u" Plating
4	Au 30u" Plating
5	Au 50u" Plating



X	包装方式
C	卷带包装百箱式
C1	卷带包装热封式
P	吸塑盒包装

SPECIFICATIONS:

1. Voltage: 150V AC RMS
2. Current Rating: 1.5A
3. Contact Resistance: 40mΩ MAX.
4. Insulation Resistance: 500MΩ MIN.
5. Dielectric Withstand Voltage :1000V AC
6. Operate Temperature: -40°C~80°C
7. Durability: 750 Mating Cycles MIN.



Recommend PCB Layout  
(Jack Top View)  
Tolerance: ±0.05mm

**东莞市合陵电子有限公司**  
DongGuan Heling Electronic Co.,LTD

b	Terminal	8	Phosphor Bronze	Au/Tin Plating	
a	Housing	1	See Table 1	See Table 1	
NO.	PART NAME	Q'TY	MATERIAL	PLATING & COLOR	Remark

UNLESS OTHERWISE SPECIFIED TOLERANCES

DECIMALS:	ANGLES:
X : ±0.5	X : ±2°
X.X : ±0.3	X.X : ±1'
X.XX : ±0.2	

SCALE: 1/1	UNIT: mm	DWG.NO:
SIZE: A3	PAGE: 1 OF 1	REV: A05
APPROVED BY	CHECKED BY	PREPARED BY
DICK	XSY	XSY

CUSTOMER COPY