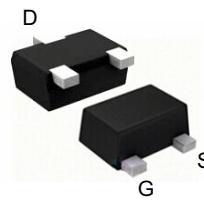
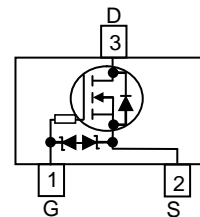


**WNM6002**
**Single N-Channel, 60V, 0.30A, Power MOSFET**
[Http://www.sh-willsemi.com](http://www.sh-willsemi.com)

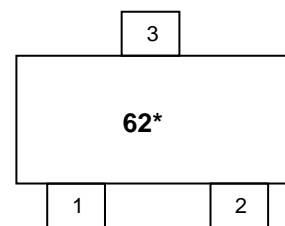
V <sub>DS</sub> (V)	R <sub>ds(on)</sub> (Ω)
60	1.4 @ V <sub>GS</sub> =10V
	1.7 @ V <sub>GS</sub> =4.5V
ESD Rating:2000V HBM	


**SOT-323**
**Descriptions**

The WNM6002 is N-Channel enhancement MOS Field Effect Transistor. Uses advanced trench technology and design to provide excellent R<sub>DS(ON)</sub> with low gate charge. This device is suitable for use in DC-DC conversion, power switch and charging circuit. Standard Product WNM6002 is Pb-free and Halogen-free.


**Features**

- Trench Technology
- Supper high density cell design
- Excellent ON resistance for higher DC current
- Extremely Low Threshold Voltage
- Small package SOT-323

**Pin configuration (Top view)**


62 = Device Code  
 \* = Month (A~Z)

**Marking**
**Applications**

- Driver for Relay, Solenoid, Motor, LED etc.
- DC-DC converter circuit
- Power Switch
- Load Switch
- Charging

**Order information**

Device	Package	Shipping
WNM6002-3/TR	SOT-323	3000/Reel&Tape

Parameter		Symbol	10 s	Steady State	Unit
Drain-Source Voltage		$V_{DS}$	60		V
Gate-Source Voltage		$V_{GS}$	$\pm 20$		
Continuous Drain Current <sup>ad</sup>	$T_A=25^\circ\text{C}$	$I_D$	0.30	0.28	A
	$T_A=70^\circ\text{C}$		0.24	0.22	
Maximum Power Dissipation <sup>ad</sup>	$T_A=25^\circ\text{C}$	$P_D$	0.37	0.31	W
	$T_A=70^\circ\text{C}$		0.23	0.20	
Continuous Drain Current <sup>bd</sup>	$T_A=25^\circ\text{C}$	$I_D$	0.27	0.24	A
	$T_A=70^\circ\text{C}$		0.21	0.19	
Maximum Power Dissipation <sup>bd</sup>	$T_A=25^\circ\text{C}$	$P_D$	0.29	0.23	W
	$T_A=70^\circ\text{C}$		0.18	0.14	
Pulsed Drain Current <sup>c</sup>		$I_{DM}$	1.0		A
Operating Junction Temperature		$T_J$	-55 to 150		$^\circ\text{C}$
Lead Temperature		$T_L$	260		$^\circ\text{C}$
Storage Temperature Range		$T_{stg}$	-55 to 150		$^\circ\text{C}$

### Thermal resistance ratings

Parameter		Symbol	Typical	Maximum	Unit
Junction-to-Ambient Thermal Resistance <sup>a</sup>	$t \leq 10$ s	$R_{\theta JA}$	245	335	$^\circ\text{C/W}$
	Steady State		325	395	
Junction-to-Ambient Thermal Resistance <sup>b</sup>	$t \leq 10$ s	$R_{\theta JA}$	375	430	
	Steady State		445	535	
Junction-to-Case Thermal Resistance		$R_{\theta JC}$	260	300	

a Surface mounted on FR-4 Board using 1 square inch pad size, 1oz copper

b Surface mounted on FR-4 board using minimum pad size, 1oz copper

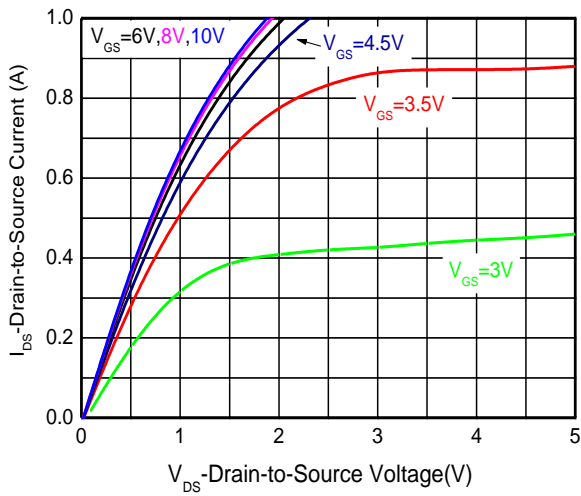
c Pulse width < 380 $\mu\text{s}$

d Maximum junction temperature  $T_J=150^\circ\text{C}$  .

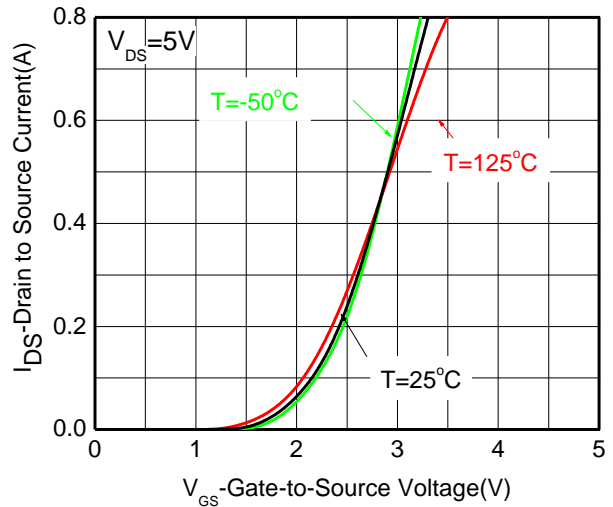
## Electronics Characteristics (Ta=25°C, unless otherwise noted)

Parameter	Symbol	Test Conditions	Min	Typ	Max	Unit
<b>OFF CHARACTERISTICS</b>						
Drain-to-Source Breakdown Voltage	$BV_{DSS}$	$V_{GS} = 0\text{ V}, I_D = 250\mu\text{A}$	60			V
Zero Gate Voltage Drain Current	$I_{DSS}$	$V_{DS} = 60\text{ V}, V_{GS} = 0\text{ V}$			1	$\mu\text{A}$
Gate-to-source Leakage Current	$I_{GSS}$	$V_{DS} = 0\text{ V}, V_{GS} = \pm 20\text{ V}$			$\pm 5$	$\mu\text{A}$
<b>ON CHARACTERISTICS</b>						
Gate Threshold Voltage	$V_{GS(TH)}$	$V_{GS} = V_{DS}, I_D = 250\mu\text{A}$	0.8	1.3	2	V
Drain-to-source On-resistance <sup>b, c</sup>	$R_{DS(on)}$	$V_{GS} = 10\text{ V}, I_D = 0.37\text{ A}$		1.4	2.0	mΩ
		$V_{GS} = 4.5\text{ V}, I_D = 0.2\text{ A}$		1.7	2.6	
Forward Transconductance	$g_{FS}$	$V_{DS} = 15\text{ V}, I_D = 0.25\text{ A}$		0.42		S
<b>CAPACITANCES, CHARGES</b>						
Input Capacitance	$C_{ISS}$	$V_{GS} = 0\text{ V},$ $f = 1.0\text{ MHz},$ $V_{DS} = 25\text{ V}$		23.37		pF
Output Capacitance	$C_{OSS}$			7.33		
Reverse Transfer Capacitance	$C_{RSS}$			5.2		
Total Gate Charge	$Q_{G(TOT)}$	$V_{GS} = 10\text{ V},$ $V_{DD} = 30\text{ V},$ $I_D = 0.37\text{ A}$		1.2		nC
Threshold Gate Charge	$Q_{G(TH)}$			0.15		
Gate-to-Source Charge	$Q_{GS}$			0.21		
Gate-to-Drain Charge	$Q_{GD}$			0.12		
<b>SWITCHING CHARACTERISTICS</b>						
Turn-On Delay Time	$t_d(ON)$	$V_{DD} = 30\text{ V}, I_D = 0.2\text{ A},$ $V_{GEN} = 10\text{ V}, R_G = 10\ \Omega$		7.6		ns
Rise Time	$t_r$			5.1		
Turn-Off Delay Time	$t_d(OFF)$			24.6		
Fall Time	$t_f$			10		
<b>BODY DIODE CHARACTERISTICS</b>						
Forward Voltage	$V_{SD}$	$V_{GS} = 0\text{ V}, I_S = 0.3\text{ A}$		0.9	1.5	V

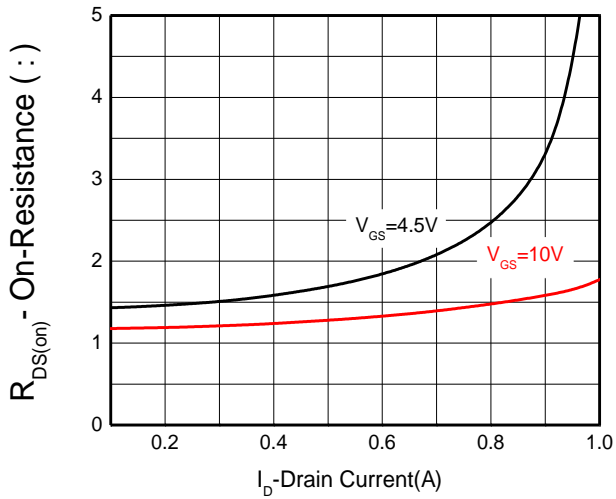
Typical Characteristics (Ta=25°C, unless otherwise noted)



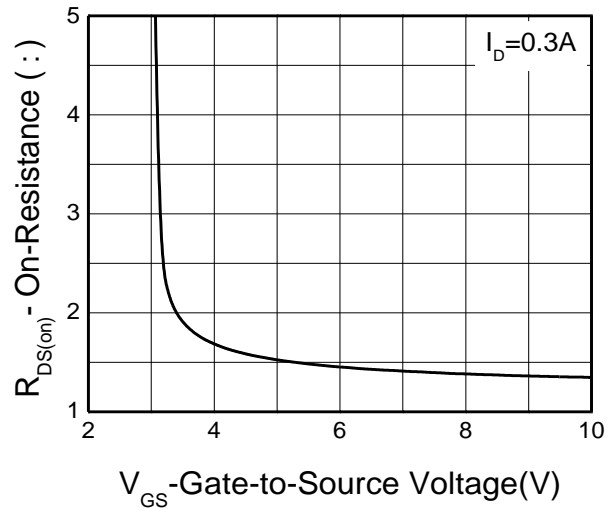
Output characteristics



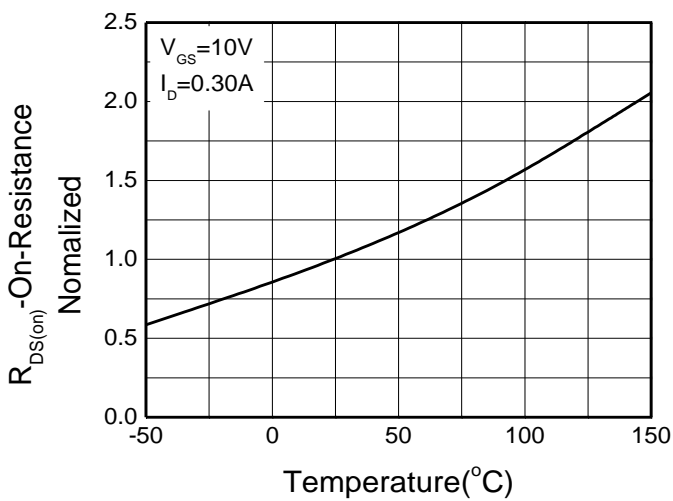
Transfer characteristics



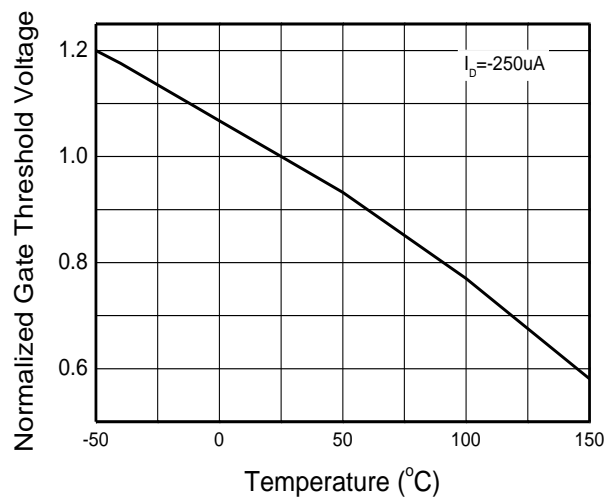
On-Resistance vs. Drain current



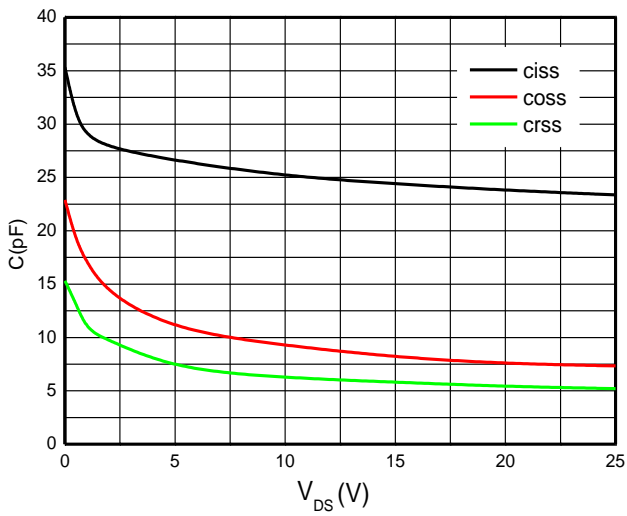
On-Resistance vs. Gate -to-Source voltage



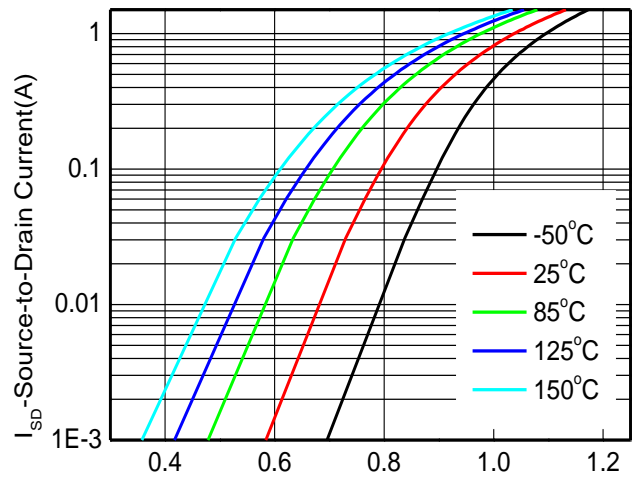
On-Resistance vs. Junction temperature



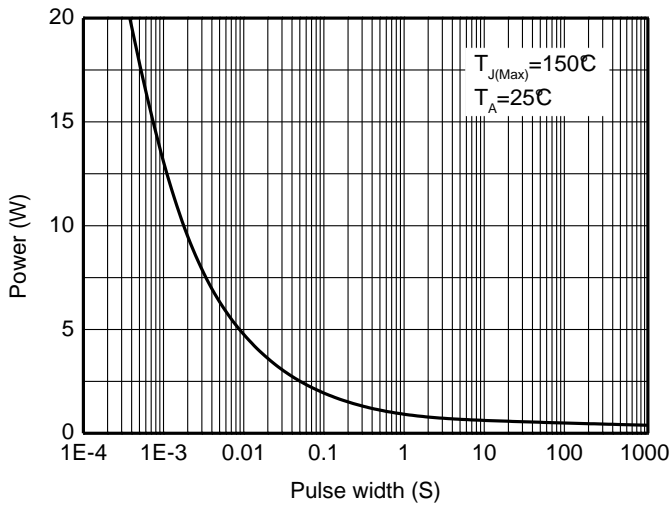
Threshold voltage vs. Temperature



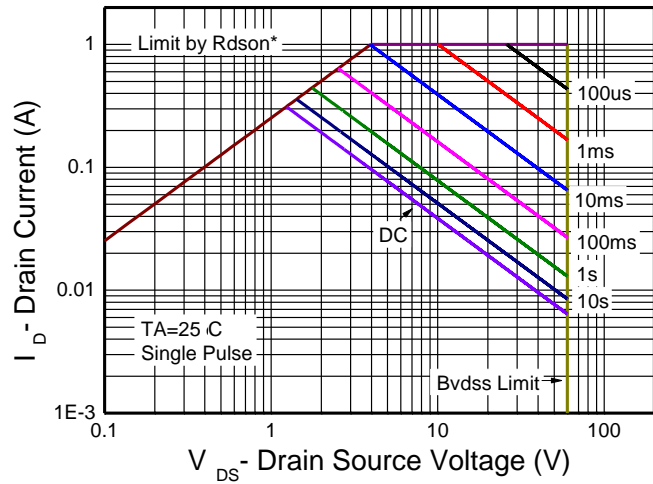
Capacitance



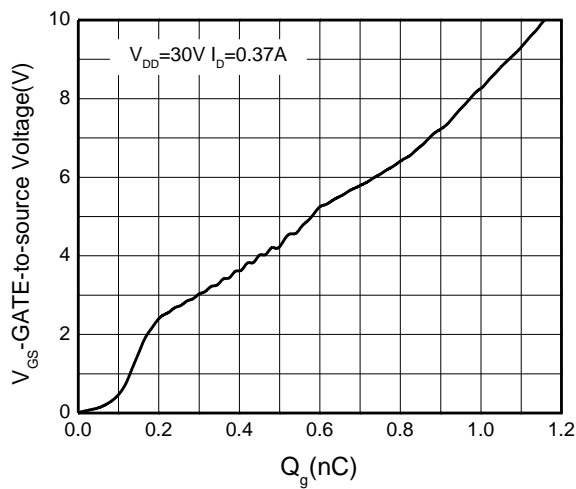
Body diode forward voltage



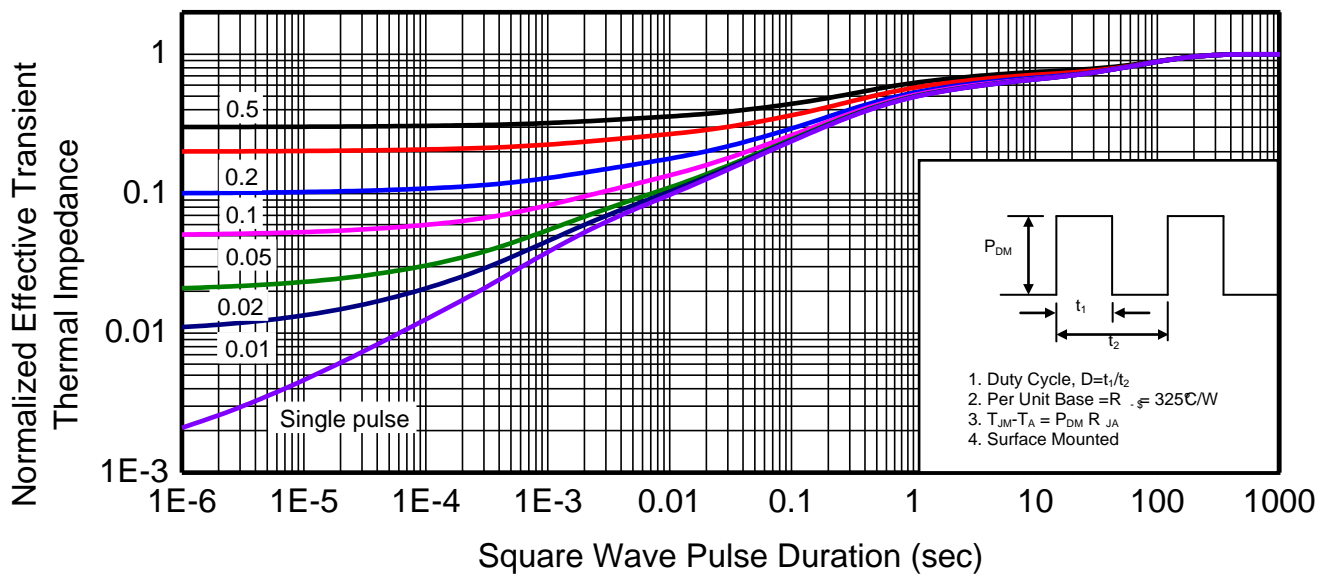
Single pulse power



Safe operating power



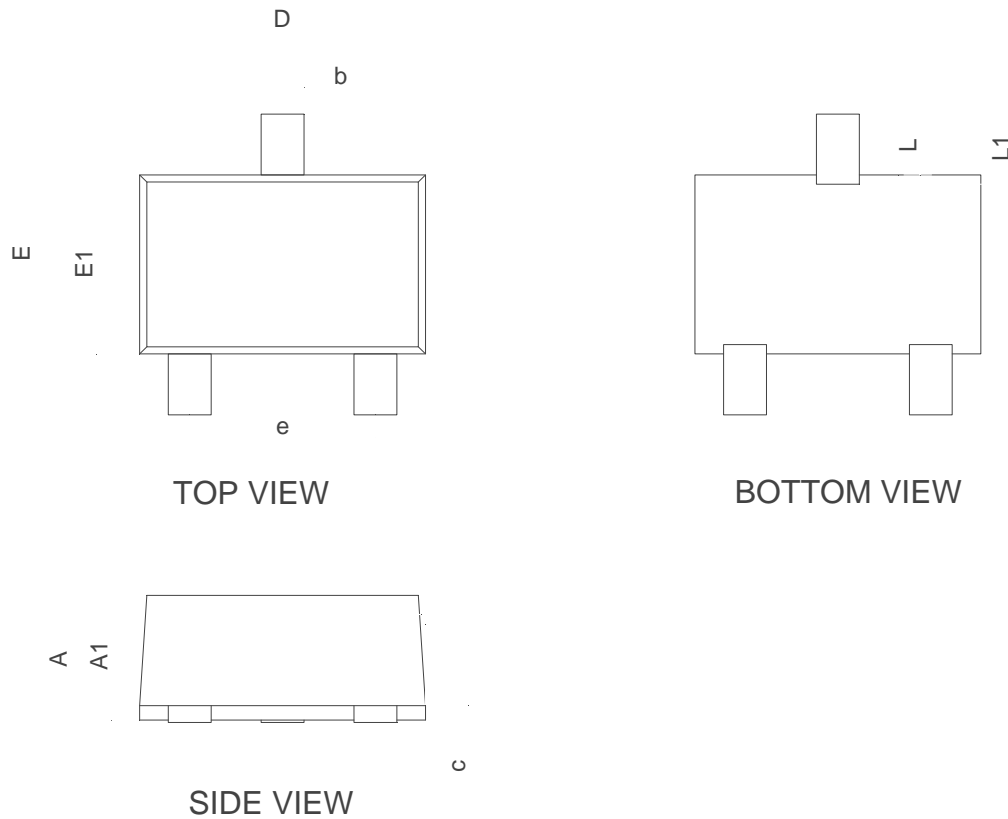
Gate Charge Characteristics



Transient thermal response (Junction -to-Ambient)

## Package outline dimensions

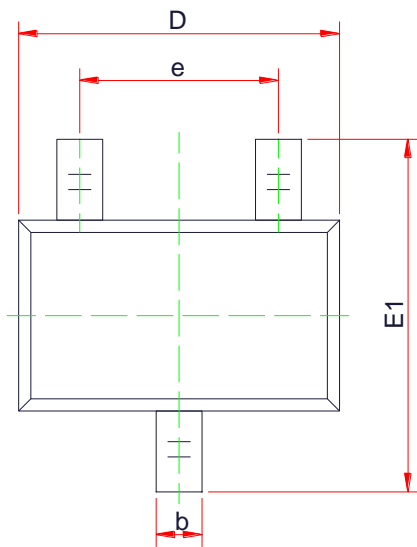
## SOT-323



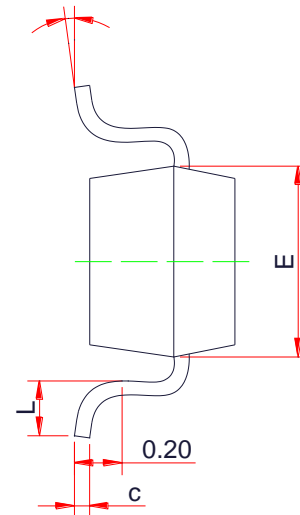
Symbol	Dimensions in Millimeters		
	Min.	Typ.	Max.
A	0.80	0.90	1.00
A1	0.89 Ref		
b	0.28	0.30	0.35
e	1.20	1.30	1.40
c	0.11	0.13	0.18
D	1.80	2.00	2.20
E	2.00	2.10	2.20
E1	1.15	1.25	1.35
L1	0.49 Ref		
L	0.42		0.43
⊙	5 e Ref		

## Package outline dimensions

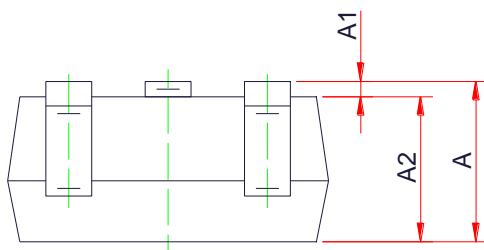
## SOT-323



TOP VIEW



SIDE VIEW



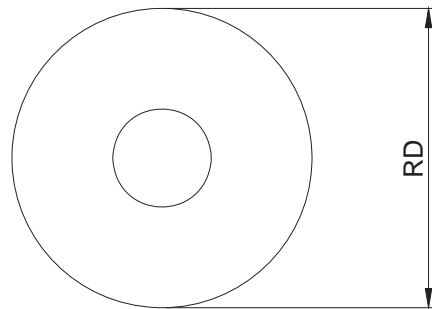
SIDE VIEW

Symbol	Dimensions in Millimeters		
	Min.	Typ.	Max.
A	0.80	0.95	1.10
A1	0.00	-	0.10
A2	0.80	0.90	1.00
b	0.20	0.30	0.40
c	0.05	0.10	0.15
D	1.90	2.05	2.20
E	1.15	1.25	1.25
E1	2.00	2.20	2.45
e	1.20	1.30	1.40
L	0.20	-	-
©	6 e Ref		

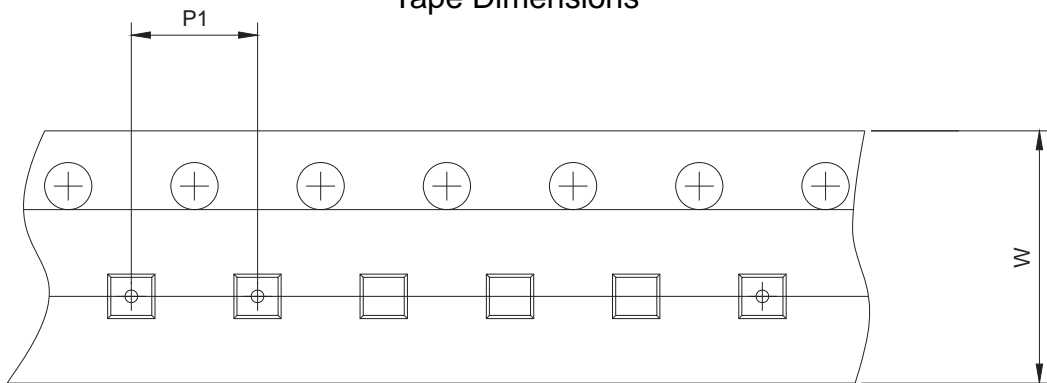


TAPE AND REEL INFORMATION

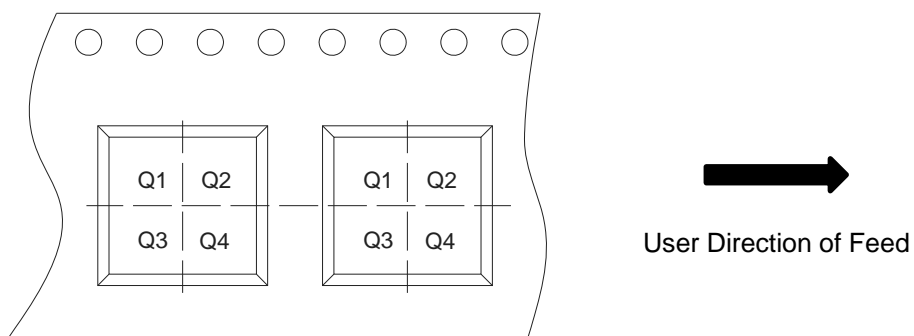
Reel Dimensions



Tape Dimensions



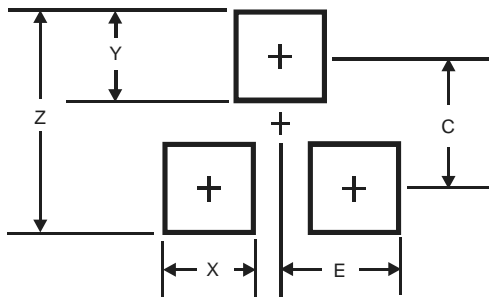
Quadrant Assignments For PIN1 Orientation In Tape



RD	Reel Dimension	7inch	13inch		
W	Overall width of the carrier tape	8mm	12mm	16mm	
P1	Pitch between successive cavity centers	2mm	4mm	8mm	
Pin1	Pin1 Quadrant	Q1	Q2	Q3	Q4

## Recommend PCB Layout

## Recommend PCB Layout (Unit: mm)



' IP HQMROV	627
=	
;	
<	
&	
(	

## Notes:

This recommended land pattern is for reference purposes only. Please consult your manufacturing group to ensure your PCB design guidelines are met.