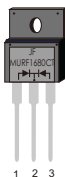
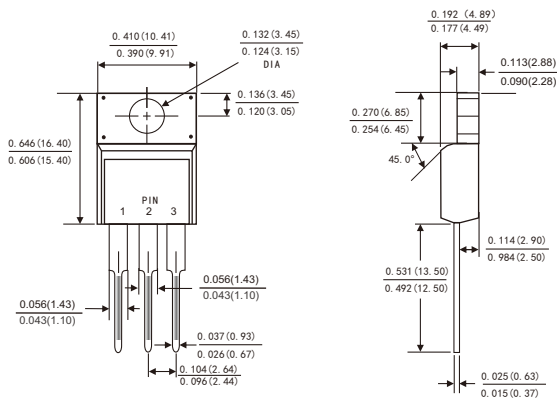


FEATURES

- Plastic package has Underwriters Laboratory Flammability Classification 94V-0
- Fast switching for high efficiency
- Low forward voltage drop
- Single rectifier construction
- High surge capability
- For use in low voltage ,high frequency inverters, free wheeling ,and polarity protection applications
- High temperature soldering guaranteed:260°C/10 seconds, 0.25"(6.35mm)from case
- Component in accordance to RoHS 2011/65/EU



ITO-220AB



Dimensions in inches and (millimeters)

MECHANICAL DATA

- Case: JEDEC ITO-220AB molded plastic body
- Terminals: Lead solderable per MIL-STD-750,method 2026
- Polarity: As marked
- Mounting Position: Any

MAXIMUM RATINGS AND ELECTRICAL CHARACTERISTICS

(Ratings at 25°C ambient temperature unless otherwise specified ,Single phase ,half wave ,resistive or inductive load. For capacitive load,derate by 20%.)

Parameters		Symbols	MURF1680CT				Units
Maximum repetitive peak reverse voltage		V_{RRM}	800				Volts
Maximum RMS voltage		V_{RMS}	560				Volts
Maximum DC blocking voltage		V_{DC}	800				Volts
Maximum average forward rectified current(see Fig.1)	Per leg	$I_{(AV)}$	8.0				Amps
	Total device		16.0				
Peak forward surge current 8.3ms single half sine-wave superimposed on rated load (JEDEC method)		I_{FSM}	150				Amps
Forward voltage (note 1)	$I_F=3A$	V_F	TYP.	1.7	MAX.	/	Volts
	$I_F=5A$		TYP.	1.9	MAX.	/	
	$I_F=8A$		TYP.	2.0	MAX.	2.4	
Reverse current at rated DC blocking voltage(Note 1)	$T_A=25^{\circ}C$	I_R	TYP.	1	MAX.	5	μA
	$T_A=125^{\circ}C$		TYP.	10	MAX.	50	
Maximum Reverse Recovery Time (Note 2)		T_{rr}	35				ns
Typical thermal resistance		$R_{\theta JC}$	4.5				$^{\circ}C/W$
Operating junction temperature range		T_J	-55 to+150				$^{\circ}C$
Storage temperature range		T_{STG}	-55 to+150				$^{\circ}C$

- Notes:** 1. Pulse test: 300 μs pulse width,1% duty cycle
2. Reverse recovery test conditions $I_F=0.5A,I_R=1.0A,I_{rr}=0.25A$

RATINGS AND CHARACTERISTIC CURVES OF MURF1680CT

FIG.1-FORWARD CURRENT DERATING CURVE

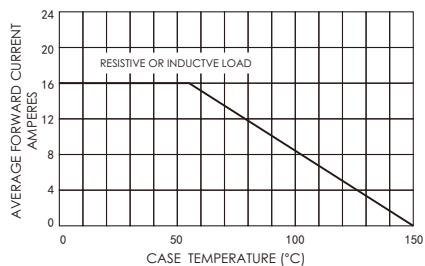


FIG.2-MAXIMUM NON-REPETITIVE PEAK FORWARD SURGE CURRENT

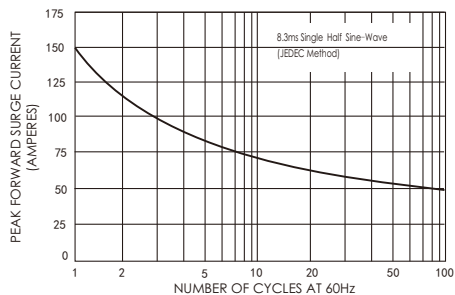


FIG.3-TYPICAL INSTANTANEOUS FORWARD CHARACTERISTICS

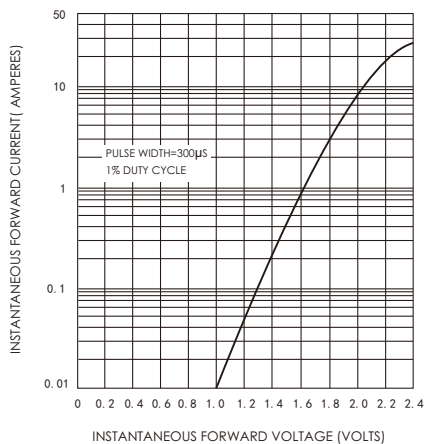


FIG.4-TYPICAL REVERSE CHARACTERISTICS

