

SPECIFICATIONS

Mechanical

Mating Force: 4.54kgf max.
Umating Force: 0.34kgf min.
Durability: 500 Cycles

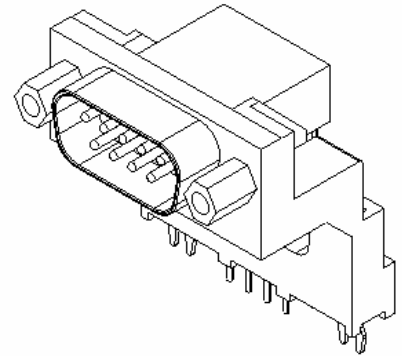
Electrical

Current Rating: 2A
Contact Resistance: 30mΩ max.
Dielectric Withstanding Voltage: 1000V AC/1min min.
Insulation Resistance: 5000MΩ min.

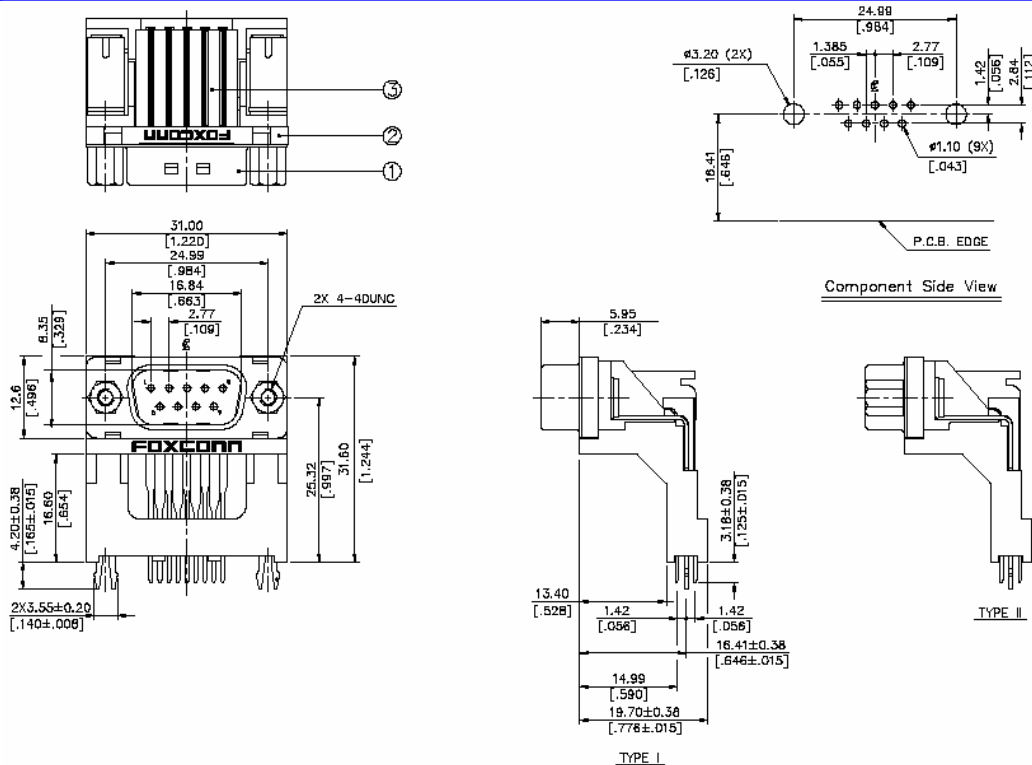
Physical

Housing: Thermoplastic, UL 94V-0 rated in Teal 322C Color
Contact: Copper alloy
Plating: See "ORDERING INFORMATION"
Operating Temperature: -55°C to +125°C

DM Series
Right Angle Type, T/H
2.77mm [.109"] Pitch
9 Pos.



DRAWING



ORDERING INFORMATION

PRODUCT NO.: DM 1 0 1 5 * - N5W* - 4 F

- D-SUB Series
- Termination Type: 1=R/A Type
- Contact Design Type: 0=Male
- No. of Pos.: 1=9 POS
- Body Length: 5=14.99mm
- Lead Free Code
- Tray Packing: 4=Soft Tray
- Extension Code: N5W3=WITH FEMALE SCREW LOCK, N5W2=WITHOUT FEMALE SCREW LOCK
- Contact Area Plating: 1=Gold Flash, 2=20 u" Gold lated, 3=30 u" Gold plated, 7=15 u" Gold plated