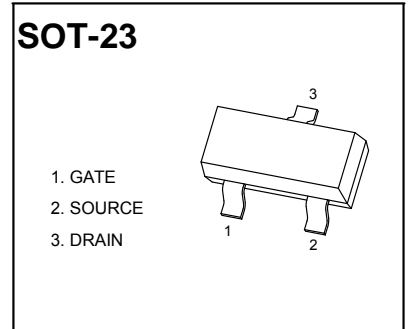


SOT-23 Plastic-Encapsulate MOSFETS
20V P-Channel MOSFET

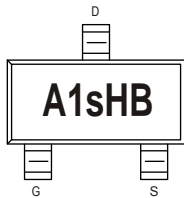
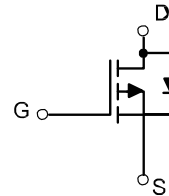
$V_{(BR)DSS}$	$R_{DS(on)Typ}$	$I_D Max$
-20V	70mΩ@4.5V	-3.0A
	78mΩ@3.3V	


Features

Trench FET Power MOSFET

APPLICATION

- Load Switch for Portable Devices
- DC/DC Converter

MARKING

Equivalent circuit

PACKAGE SPECIFICATIONS

Package	Reel Size	Reel DIA. (mm)	Q'TY/Reel (pcs)	Box Size (mm)	QTY/Box (pcs)	Carton Size (mm)	Q'TY/Carton (pcs)
SOT-23	7'	330	3000	203×203×195	45000	438×438×220	180000

Maximum Ratings and Thermal Characteristics (TA = 25°C unless otherwise noted)

Parameter	Symbol	Limit	Unit	
Drain-Source Voltage	V_{DS}	-20	V	
Gate-Source Voltage	V_{GS}	±10		
Continuous Drain Current	I_D	$T_A = 25^\circ C$	-3.0	A
		$T_A = 70^\circ C$	-2.5	
Pulsed Drain Current ¹⁾	I_{DM}	-12	A	
Maximum Power Dissipation ²⁾	P_D	$T_A = 25^\circ C$	1.2	W
		$T_A = 70^\circ C$	0.9	
Operating Junction and Storage Temperature Range	T_J, T_{stg}	-50 to 150	°C	
Junction-to-Ambient Thermal Resistance (PCB mounted) ²⁾	R_{thJA}	100	°C/W	

Notes

- ¹⁾ Pulse width limited by maximum junction temperature.
²⁾ Surface Mounted on FR4 Board, $t \leq 5$ sec.

The above data are for reference only.



MOSFET ELECTRICAL CHARACTERISTICS

$T_a=25\text{ }^\circ\text{C}$ unless otherwise specified

Parameter	Symbol	Test Condition	Min	Typ	Max	Units
Static						
Drain-source breakdown voltage	$V_{(BR)DSS}$	$V_{GS} = 0V, I_D = -250\mu A$	-20			V
Gate-source threshold voltage	$V_{GS(th)}$	$V_{DS} = V_{GS}, I_D = -250\mu A$	-0.4	-0.6	-1	
Gate-source leakage	I_{GSS}	$V_{DS} = 0V, V_{GS} = \pm 10V$			± 100	nA
Zero gate voltage drain current	I_{DSS}	$V_{DS} = -20V, V_{GS} = 0V$			-1	μA
Drain-source on-state resistance ^a	$R_{DS(on)}$	$V_{GS} = -4.5V, I_D = -3A$		70	90	m Ω
		$V_{GS} = -3.3V, I_D = -2.0A$		78	100	
Forward transconductance ^a	g_{fs}	$V_{DS} = -5V, I_D = -2.8A$		4.0		S
Dynamic^b						
Input capacitance	C_{iss}	$V_{DS} = -10V, V_{GS} = 0V, f = 1MHz$		330		pF
Output capacitance	C_{oss}			50		
Reverse transfer capacitance	C_{rss}			45		
Total gate charge	Q_g	$V_{DS} = -10V, V_{GS} = -4.5V, I_D = -3A$		6.6		nC
				0.8		
Gate-source charge	Q_{gs}	$V_{DS} = -10V, V_{GS} = -4.5V, I_D = -3A$		0.7		
Gate-drain charge	Q_{gd}			1.4		
Turn-on delay time	$t_{d(on)}$	$V_{DD} = -10V, R_L = 10\Omega,$ $I_D = -3A,$ $V_{GEN} = -4.5V, R_g = 3.3\Omega$		11		ns
Rise time	t_r			12		
Turn-off delay time	$t_{d(off)}$			18		
Fall time	t_f			30		
Drain-source body diode characteristics						
Continuous source-drain diode current	I_S	$T_C = 25^\circ C$			-1.5	A
Body diode voltage	V_{SD}	$I_S = -2A$		-0.85	-1.2	V

a) Pulse test: pulse width $\leq 300\mu s$, duty cycle $\leq 2\%$

b) Guaranteed by design, not subject to production testing

Typical Characteristics

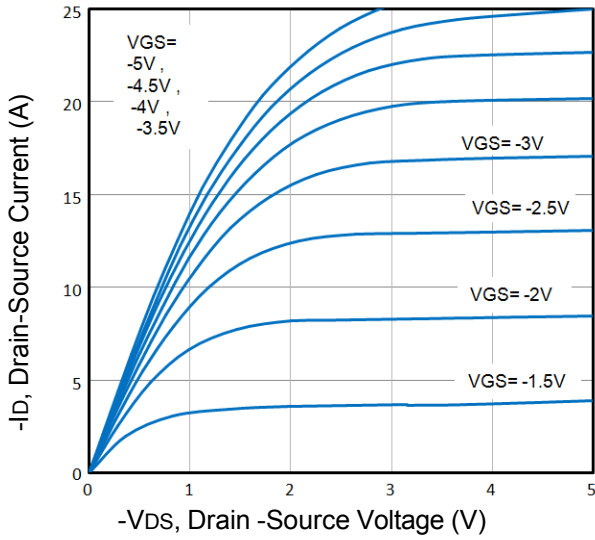


Fig1. Typical Output Characteristics

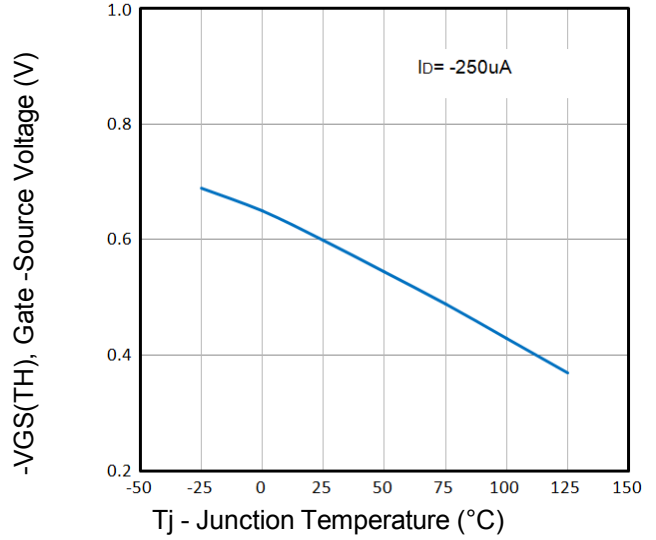


Fig2. Normalized Threshold Voltage Vs. Temperature

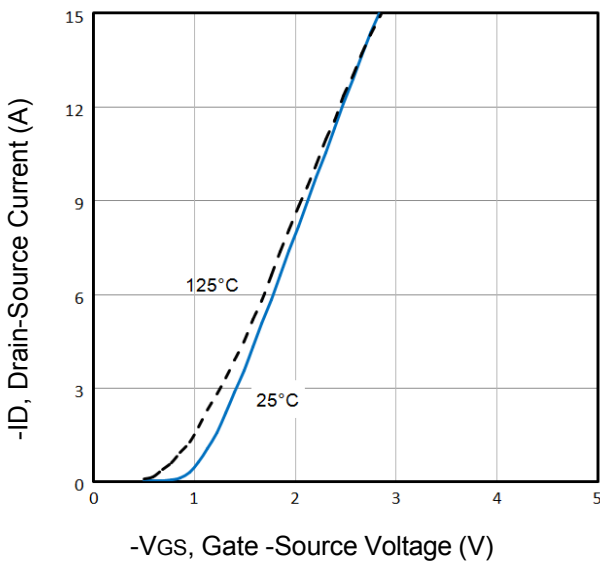


Fig3. Typical Transfer Characteristics

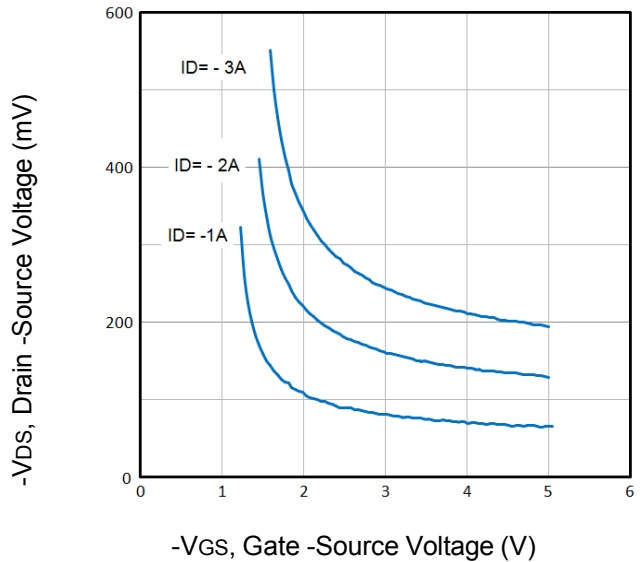


Fig4. Drain-Source Voltage vs Gate-Source Voltage

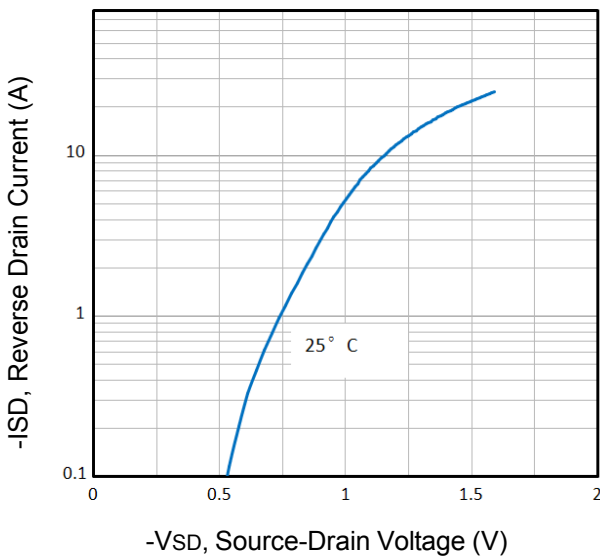


Fig5. Typical Source-Drain Diode Forward Voltage

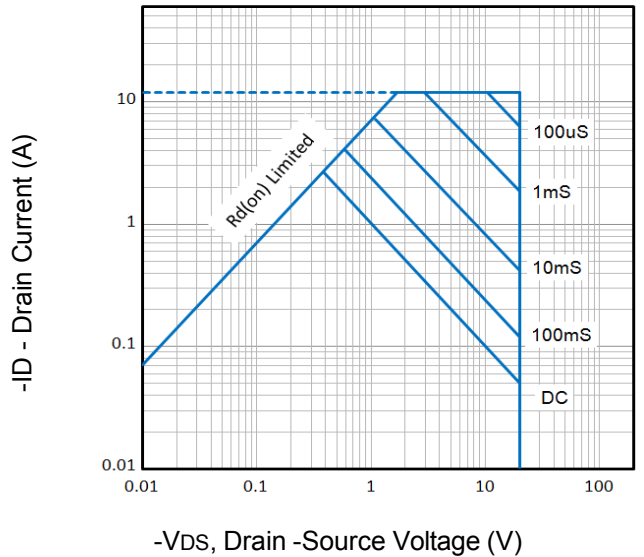


Fig6. Maximum Safe Operating Area

Typical Characteristics

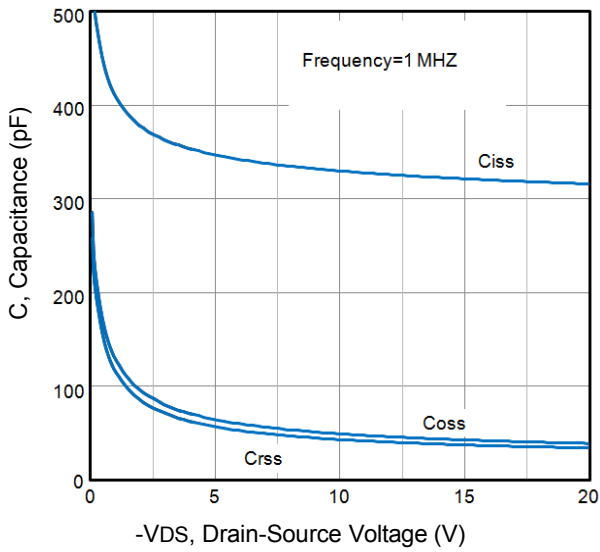


Fig7. Typical Capacitance Vs. Drain-Source Voltage

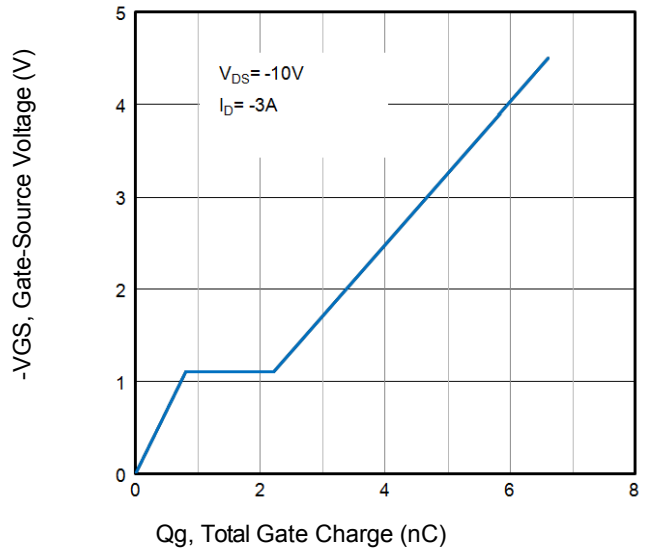


Fig8. Typical Gate Charge Vs. Gate-Source Voltage

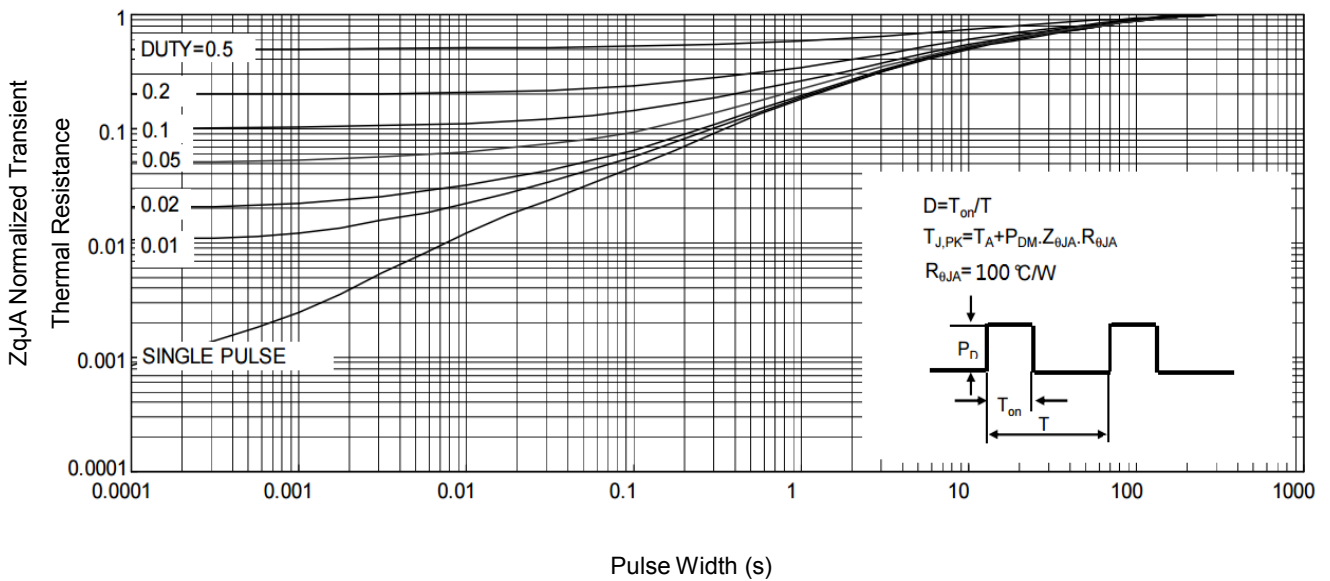


Fig9. Normalized Maximum Transient Thermal Impedance

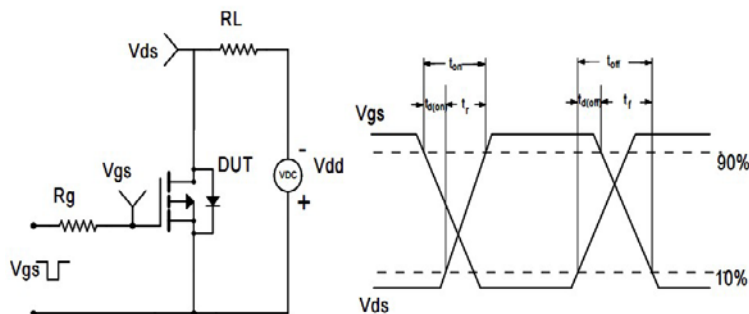
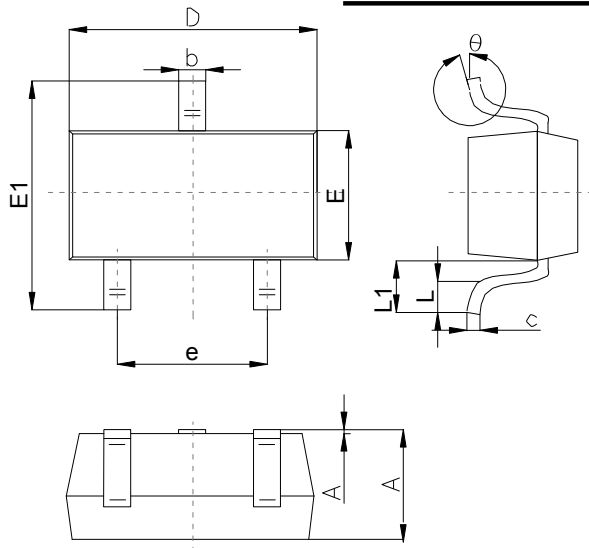


Fig10. Switching Time Test Circuit and waveforms

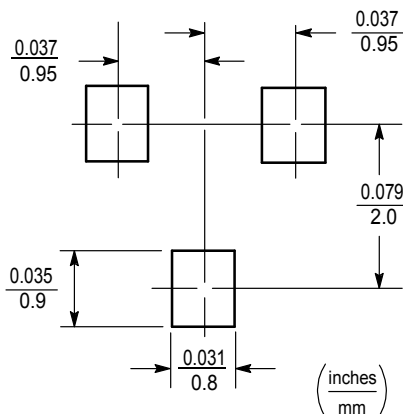
Outlitne Drawing

SOT-23 Package Outline Dimensions



Symbol	Dimensions In Millimeters		
	Min	Typ	Max
A	1.00		1.40
A1			0.10
b	0.35		0.50
c	0.10		0.20
D	2.70	2.90	3.10
E	1.40		1.60
E1	2.4		2.80
e		1.90	
L	0.10		0.30
L1	0.4		
θ	0°		10°

Suggested Pad Layout



Note:

1. Controlling dimension:in/millimeters. 2.General tolerance: $\pm 0.05\text{mm}$.
- 3.The pad layout is for reference purposes only.

Important Notice and Disclaimer

Microdiode Electronics (Jiangsu) reserves the right to make changes to this document and its products and specifications at any time without notice. Customers should obtain and confirm the latest product information and specifications before final design,purchase or use.

Microdiode Electronics (Jiangsu) makes no warranty, representation or guarantee regarding the suitability of its products for any particular purpose, not does Microdiode Electronics (Jiangsu) assume any liability for application assistance or customer product design. Microdiode Electronics (Jiangsu) does not warrant or accept any liability with products which are purchased or used for any unintended or unauthorized application.

No license is granted by implication or otherwise under any intellectual property rights of Microdiode Electronics (Jiangsu).

Microdiode Electronics (Jiangsu) products are not authorized for use as critical components in life support devices or systems without express written approval of Microdiode Electronics (Jiangsu).