

■ Features

- Molding Inductor.
- Low Profile,Low Temp.
- Large Current(Over 15A).
- Customize For Different Need.
- Operating temperature:-40℃ ~ +125℃.

■ Applications

- General Electronic.
- Video Device,TV,TFT.
- Power Module for PC.
- NB/Lap Top Computer.
- Server,VGA Card/Module.

■ Product Identification

$\frac{\text{YSPI}}{(1)}$ $\frac{\square\square\square\square\square}{(2)}$ - $\frac{\square\square\square}{(3)}$ $\frac{\square}{(4)}$

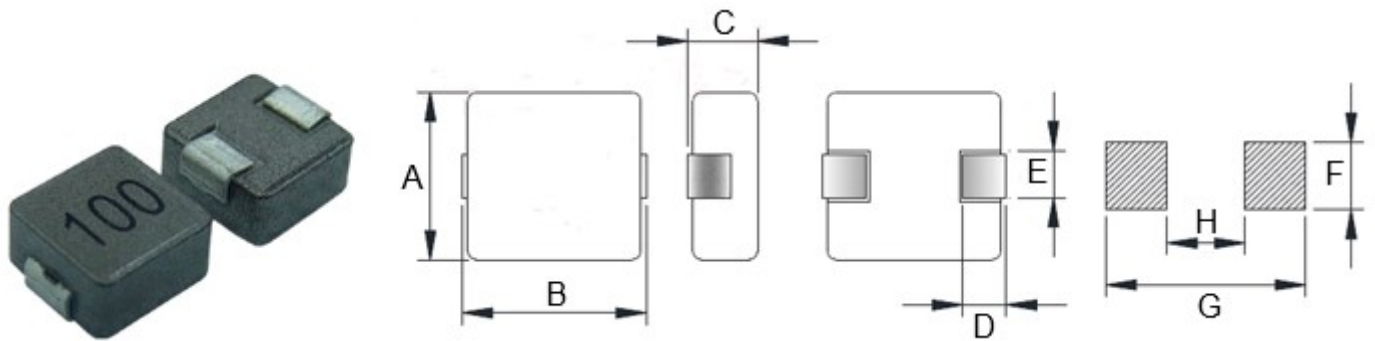
(1) : Type

(2) : Dimensions

(3) : Inductance value

(4) : Inductance Tolerance: N=±30%,M=±20%, K=±10%

■ Shapes and Dimensions (Unit: mm)



TYPE	A	B	C Max.	D	E Ref.	F Ref.	G Ref.	H Ref.
YSPI0630A	6.6±0.5	7.1±0.5	3.0	1.5±0.5	3.0±0.3	3.4	7.3	3.7

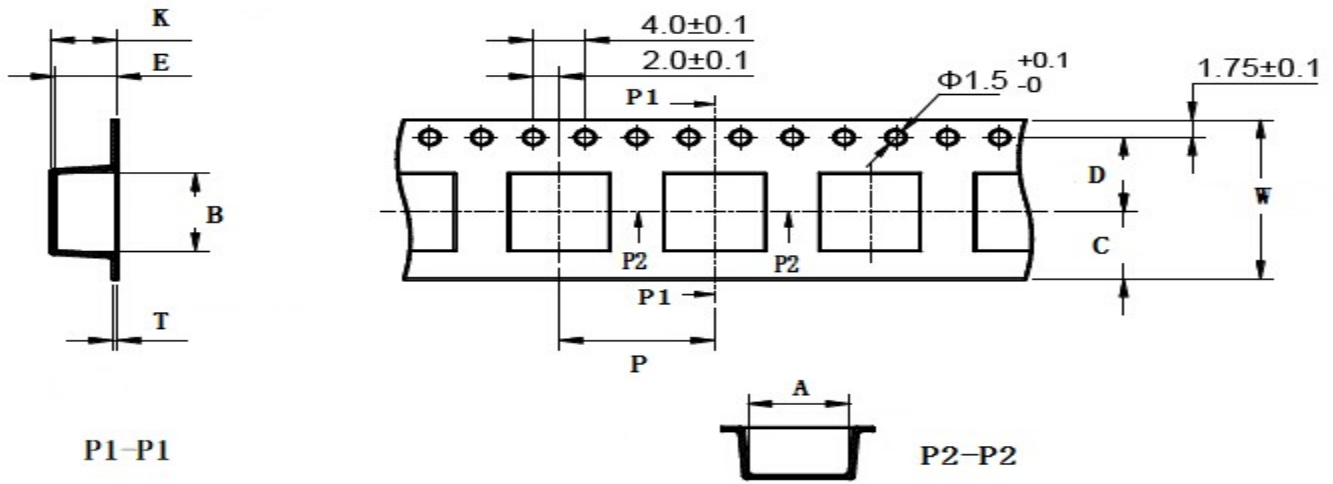
■ YSPI0630A Series

Part Number	Inductance (uH) @100KHz	DC Resistance (mΩ)		Heat Rating Current (A)	Saturation Current (A)
		Typ.	Max.		
YSPI0630A-R10□	0.10	1.5	1.7	32.5	60.0
YSPI0630A-R15□	0.15	1.9	2.5	26.0	52.0
YSPI0630A-R22□	0.22	2.3	2.9	23.0	40.0
YSPI0630A-R33□	0.33	3.2	4.2	20.0	33.0
YSPI0630A-R47□	0.47	3.6	5.5	16.5	27.0
YSPI0630A-R56□	0.56	4.3	5.7	16.5	25.5
YSPI0630A-R68□	0.68	5.7	7.4	15.5	25
YSPI0630A-R82□	0.82	6.7	8.0	13.0	24.0
YSPI0630A-1R0□	1.00	9.0	10.0	12.0	22.0
YSPI0630A-1R5□	1.50	10.5	15.0	9.5	18.0
YSPI0630A-2R2□	2.20	12.5	20.0	8.5	14.0
YSPI0630A-3R3□	3.30	20.0	35.0	6.0	12.0
YSPI0630A-4R7□	4.70	28.0	40.0	5.5	9.0
YSPI0630A-5R6□	5.60	34.0	45.0	5.5	8.0

Part Number	Inductance (μ H) @100KHz	DC Resistance (m Ω)		Heat Rating Current (A)	Saturation Current (A)
		Typ.	Max.		
YSPI0630A-6R8□	6.80	40.0	60.0	4.5	7.0
YSPI0630A-8R2□	8.20	54.0	68.0	4.5	6.0
YSPI0630A-100□	10.0	60.0	102	4.0	5.5
YSPI0630A-150□	15.0	98.0	122	3.0	5.0
YSPI0630A-220□	22.0	130	145	3.0	3.2
YSPI0630A-330□	33.0	209	270	2.0	3.0

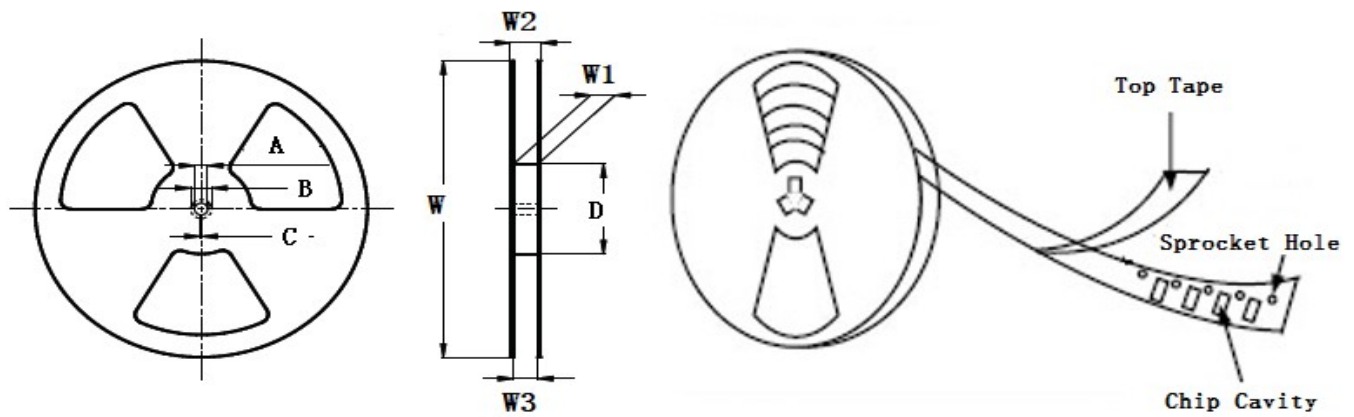
- ※ The saturation current value is the DC current value having inductance decrease down to 30%. (at 20°C)
- ※ The temperature rise current value is the DC current value having temperature increase up to 40°C. (at 20°C)
- ※ The rated current is the DC current value that satisfies both of current value saturation current value and temperature rise current value.

■ Taping Dimensions(Unit:mm)



TYPE	W	A	B	C	D	E	P	K Ref	T	MPQ
YSPI0630A	16±0.3	7.1±0.1	7.30±0.1	6.75	7.5±0.1	3.4±0.1	12±0.1	3.2	0.40±0.05	1000

■ Reel Dimensions(Unit:mm)

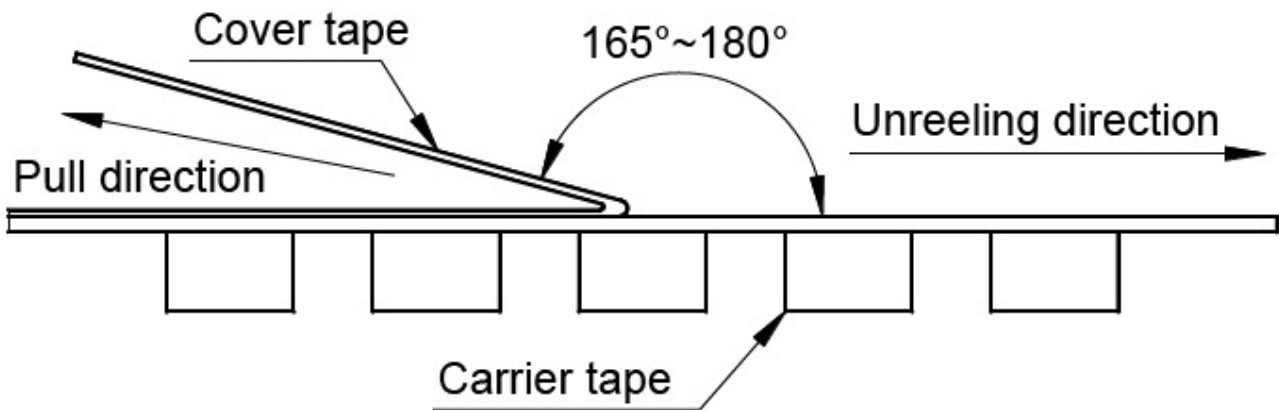


TYPE	W	W1	W2	W3	A	B	C	D
YSPI0630A	330±2.0	16.4±2.00	22.4MAX	15.9 Min	13.0±0.50	21.0±0.80	2.0±0.50	100 Min

Direction of rolling



Cover tape peel off condition



Cover tape peel force shall be 0.1N to 1.3N.

Reference peel speed 300±10mm/min.