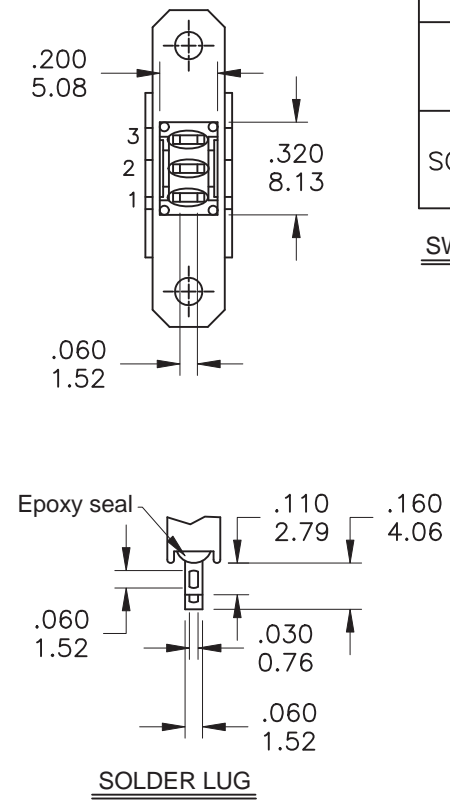
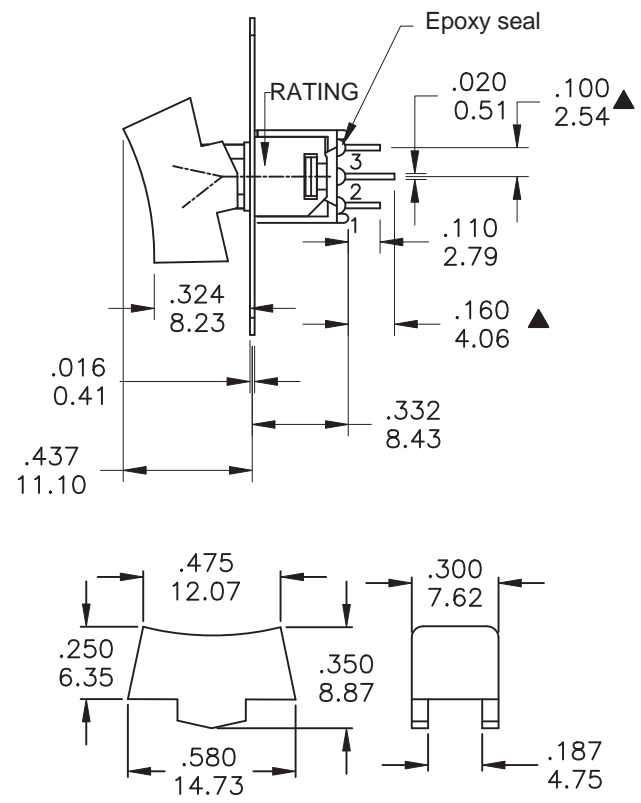
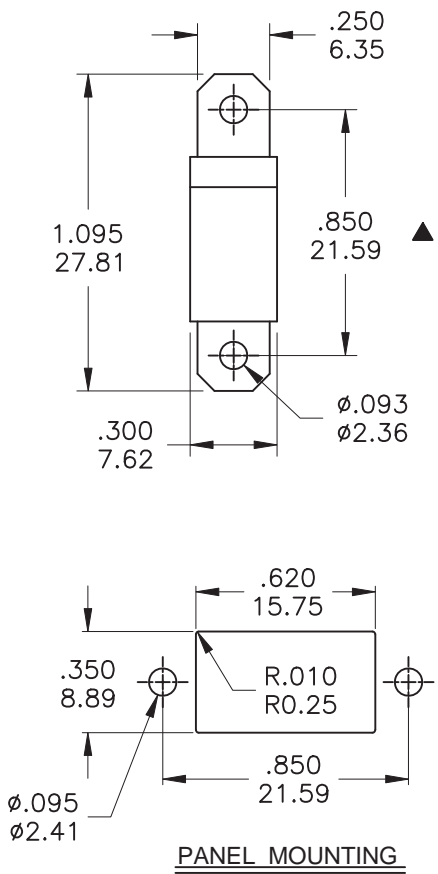


本公司智慧財產，未經同意不得複製  
 DAILYWELL copyright, may not be used  
 without permission from DAILYWELL



Model No.	POS.1	POS.2	POS.3
4MS1	ON	NONE	ON
Term. Comm.	2-3	N/A	2-1
SCHEMATIC			

SWITCH FUNCTION



**SPECIFICATIONS**

**MECHANICAL LIFE:** 30,000 make-and-break cycles.  
**CONTACT RESISTANCE:** 20mΩ max. initial @ 2-4VDC  
 100mA for both silver and gold plated contacts.  
**INSULATION RESISTANCE:** 1,000MΩ min.  
**DIELECTRIC STRENGTH:** 1,000 Vrms min. @sea level.  
**OPERATING TEMPERATURE:** -30°C to 85°C.

**MATERIALS**

**CASE** - Diallyl phthalate(DAP)( UL94V-0 )  
**ACTUATOR** - Nylon,black std.  
**BUSHING** - Brass,nickel plated.  
**HOUSING** - Stainless Steel.  
**SWITCH SUPPORT** - Stainless Steel. (A)  
**TERMINALS/CONTACT** - Copper alloy.  
**RoHS & Lead Free**

	CONTACT PLATING	TERMINAL PLATING	RATINGS
Q	Silver	Silver	3 Amps @120 VAC or 28VDC
C	Gold over Silver	Gold over silver	1 Amps @250 VAC
R	Gold	Gold	0.4 Volt-Amps(VA) max. @20V max. (AC or DC)

**德利威電子股份有限公司**  
 DAILYWELL ELECTRONICS CO.,LTD.

	符號	原尺寸	修改後尺寸	變更日期
1	(A)	Switch support材質修正	Stainless Steel	JAN-29-2018
2	(B)			
3	(C)			
4	(D)			
5	(E)			

**SCALE (比例) : 3 : 2**

**TOLERANCE (公差) :**  
 0.00 mm ± 0.25mm  
 0.0 mm ± 0.40mm  
 ANGULAR : ± 5°  
**FILE NAME : 4MSP0227**

TITLE 圖名	Sub - Miniature Rocker Switches			SIZE 圖紙	A4
DWG NO. 圖號	4MS1R102M1QES			UNIT 單位	inch mm
REV. 版本	B	DATE 日期	NOV - 16 - 2007	SHEET 張數	1 of 1
CHECKED BY 審核	陳燈財		DRAWN BY 製圖	FION	