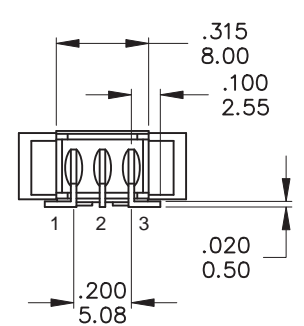
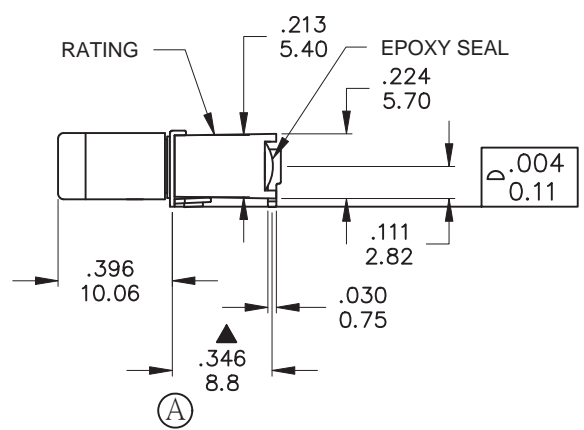
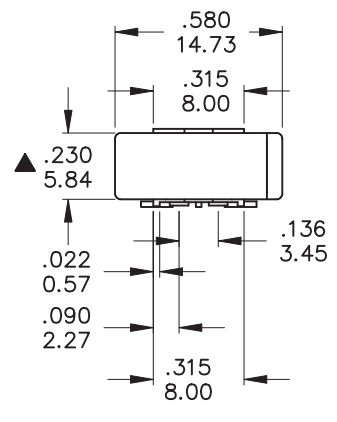
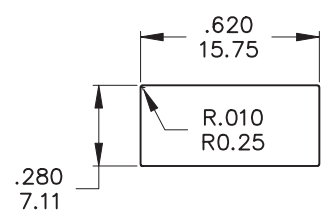


本公司智慧財產，未經同意不得複製
 DAILYWELL copyright, may not be used
 without permission from DAILYWELL

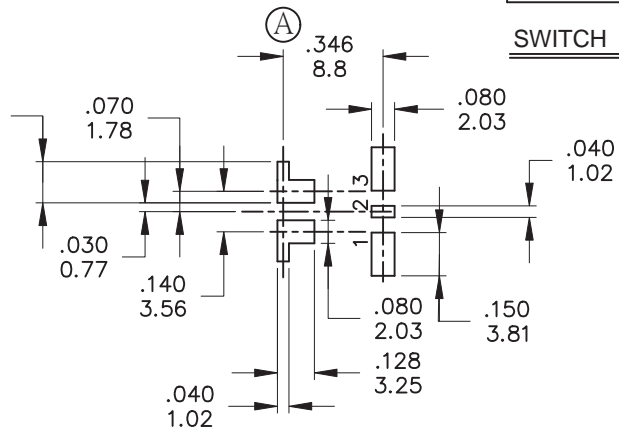
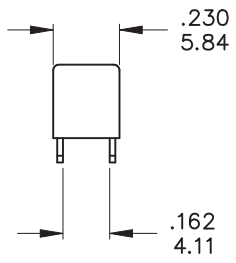
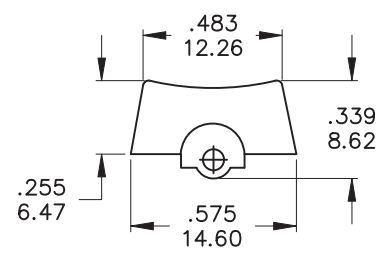


Model No.	POS.1	POS.2	POS.3
4BS1	ON	NONE	ON
Term. Comm.	2-3	N/A	2-1
SCHEMATIC			

SWITCH FUNCTION



PANEL MOUNTING



P.C. MOUNTING



SPECIFICATIONS

MECHANICAL LIFE: 50,000 make-and-break cycles.
CONTACT RESISTANCE: 20 mΩ max. initial @ 2-4VDC
 100mA for both silver and gold plated contacts.
INSULATION RESISTANCE: 1,000 MΩ min.
DIELECTRIC STRENGTH: 1,000 Vrms min. @ sea level.
OPERATING TEMPERATURE: -30°C to 85°C.

MATERIALS

CASE & BUSHING - Glass filled nylon 6/6 , retardant , heat stadilized(UL94V-0)
ACTUATOR - Nylon , black std.Internal O-ring seal standard with all actuators.
SWITCH SUPPORT - Brass, tin plated.
TERMINALS/CONTACT - Copper alloy.
RoHS & Lead Free

	CONTACT PLATING	TERMINAL PLATING	RATINGS
Q	Silver	Q = Gold flash over silver	3 Amps @ 120 VAC or 28VDC
C	Gold over Silver	C = Gold over silver	1 Amps @ 250 VAC
R	Gold	R = Gold	0.4 Volt-Amps(VA) max. @20V max. (AC or DC)

德利威電子股份有限公司
 DAILYWELL ELECTRONICS CO.,LTD.

	符號	原尺寸	修改後尺寸	變更日期
1	Ⓐ	依據ECN GC13081301,修訂8.8尺寸		OCT-28-2014
2	Ⓑ			
3	Ⓒ			
4	Ⓓ			
5	Ⓔ			

SCALE (比例) : 3 : 2
TOLERANCE (公差) :
 0.00 mm ± 0.25mm
 0.0 mm ± 0.40mm
ANGULAR : ± 5°
FILE NAME : 4BSP0021

TITLE 圖名	Sealed Sub - Miniature Rocker Switches			SIZE 圖紙	A4
DWG NO. 圖號	4BS1R202MTRES			UNIT 單位	inch mm
REV. 版本	B	DATE 日期	OCT - 21 - 2005	SHEET 張數	1 of 1
CHECKED BY 審核	RICHARD		DRAWN BY 製圖	BLUE	