

HX6286 is an unipolar Hall effect sensor IC. It incorporates advanced chopper stabilization technology to provide accurate and stable magnetic switch points. The design, specifications and performance have been optimized for applications of solid state switches.

The output transistor will be switched on (BOP) in the presence of a sufficiently strong South pole magnetic field facing the marked side of the package. Similarly, the output will be switched off (BRP) in the presence of a weaker South field and remain off with “0” field.

The package type in a Halogen Free version was verified by third party organization. Halogen Free package is available by customer’s option.

Features and Benefits

- DMOS Hall IC Technology.
- Reverse bias protection on power supply pin.
- Solid-State Reliability.
- Chopper stabilized amplifier stage.
- Unipolar, output switches with absolute value of South pole from magnet.
- Operation down to 3.0V.
- High Sensitivity for direct reed switch replacement applications.
- 100% tested at 125 for K Spec.
- Custom sensitivity / Temperature selection are available.
- Good ESD Protection.

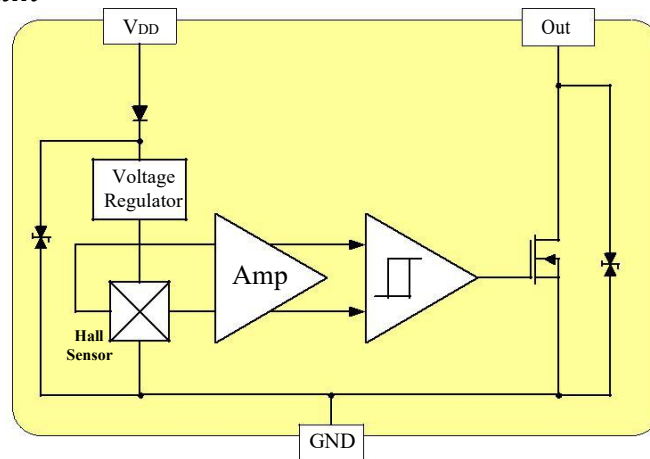
Applications

- Solid state switch
- Limit switch
- Current limit
- Interrupter
- Current sensing
- Magnet proximity sensor for reed switch replacement

Ordering number

Part No.	Temperature Suffix	Package Type
HX6286UA	(-40°C to + 125°C)	(TO-92S)
HX6286ESO	(-40°C to + 85°C)	(SOT-23)

Functional Diagram



Electrical Ratings At ($T_a=25^{\circ}\text{C}$)

Characteristics	Values	Unit	
Supply voltage, (V_{DD})	28	V	
Output Voltage, (V_O)	28	V	
Reverse Voltage , (V_{DD})	-28	V	
Magnetic flux density	Unlimited	Gauss	
Output current , (I_{out})	50	mA	
Operating Temperature Range, (T_a)	-40 to +125	$^{\circ}\text{C}$	
Storage temperature range, (T_s)	-55 to +150	$^{\circ}\text{C}$	
Maximum Junction Temp, (T_j)	150	$^{\circ}\text{C}$	
Thermal Resistance	(θ_{ja})	206	$^{\circ}\text{C}/\text{W}$
	(θ_{jc})	148	$^{\circ}\text{C}/\text{W}$
Package Power Dissipation, (P_D)	606	mW	

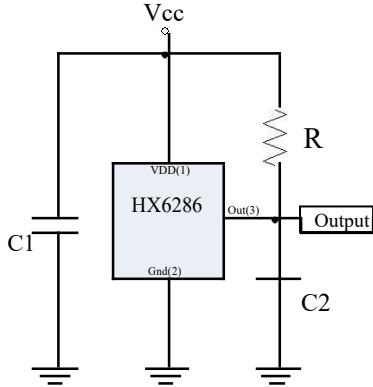
Note: Do not apply reverse voltage to V_{DD} and V_{OUT} Pin, It may be caused for Miss function or damaged device.

Electrical Specifications

DC Operating Parameters $T_A=+25^{\circ}\text{C}$, $V_{DD}=12\text{V}$

Parameters	Test Conditions	Min	Typ	Max	Units
Supply Voltage, (V_{DD})	Operating	3.0		24.0	V
Supply Current, (I_{DD})	$B < B_{OP}$		2.5	5.0	mA
Output Saturation Voltage , (V_{Sat})	$I_{OUT} = 20 \text{ mA}$, $B > B_{OP}$			400.0	mV
Output Leakage Current, (I_{off})	I_{OFF} $B < B_{RP}$, $V_{OUT} = 20\text{V}$			10.0	μA
Output Rise Time, (T_R)	$R_L=1\text{k}\Omega$, $C_L=20\text{pF}$		0.04	0.45	μS
Output Fall Time, (T_F)	$R_L=820\Omega$; $C_L=20\text{pF}$		0.18	0.45	μS
Electro-Static Discharge	HMB	4			KV
Operate Point, (B_{OP})		60		100	Gauss
Release Point, (B_{RP})		40		80	Gauss
Hysteresis, (B_{HYS})			20		Gauss

Typical application circuit

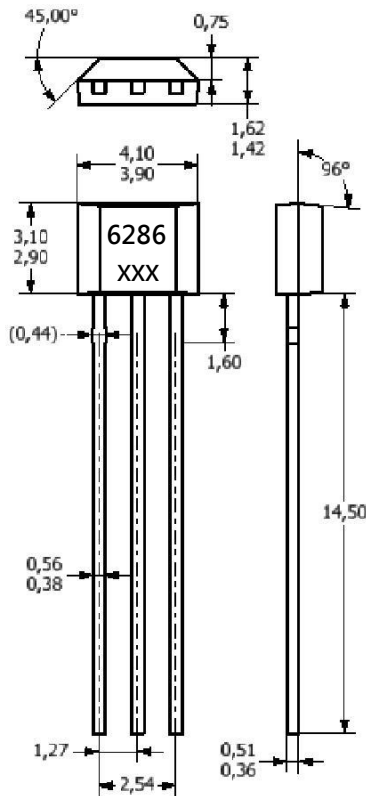


R 1KΩ
C1 10nF
C2 1nF

Sensor Location, Package Dimension and Marking

HX6286 Package

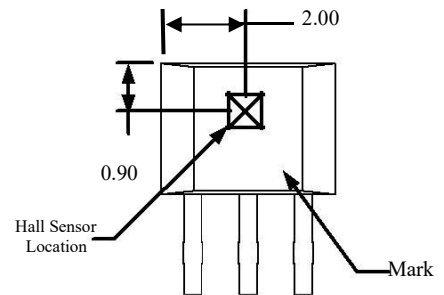
UA Package



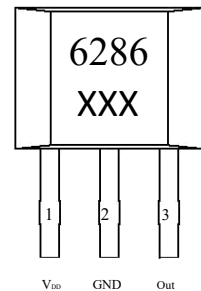
NOTES:

- 1).Controlling dimension: mm
- 2).Leads must be free of flash and plating voids
- 3).Do not bend leads within 1 mm of lead to package interface.
- 4).PINOUT:
Pin 1 VDD
Pin 2 GND
Pin 3 Output

Hall Chip location



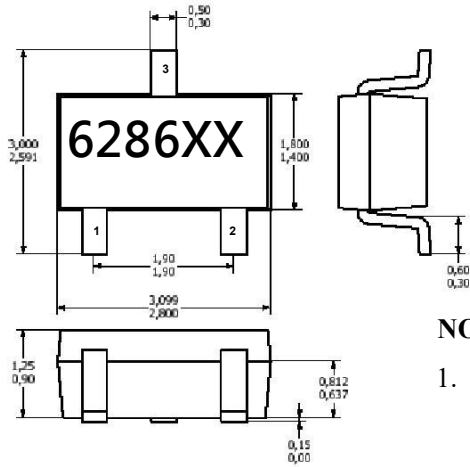
Output Pin Assignment (Top view)



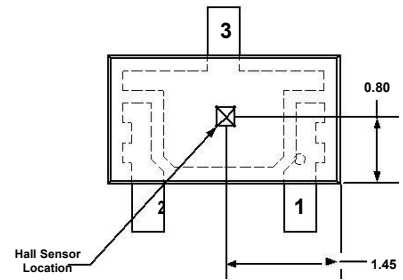
HX6286 Specifications

General Purpose Unipolar Hall Effect Switch

**Package (SOT-23)
(Top View)**



**Hall Plate Chip Location
(Bottom view)**



NOTES:

1. PINOUT (See Top View at left :)
 Pin 1 VCC
 Pin 2 Output
 Pin 3 GND
2. Controlling dimension: mm
3. Lead thickness after solder plating will be 0.254mm maximum